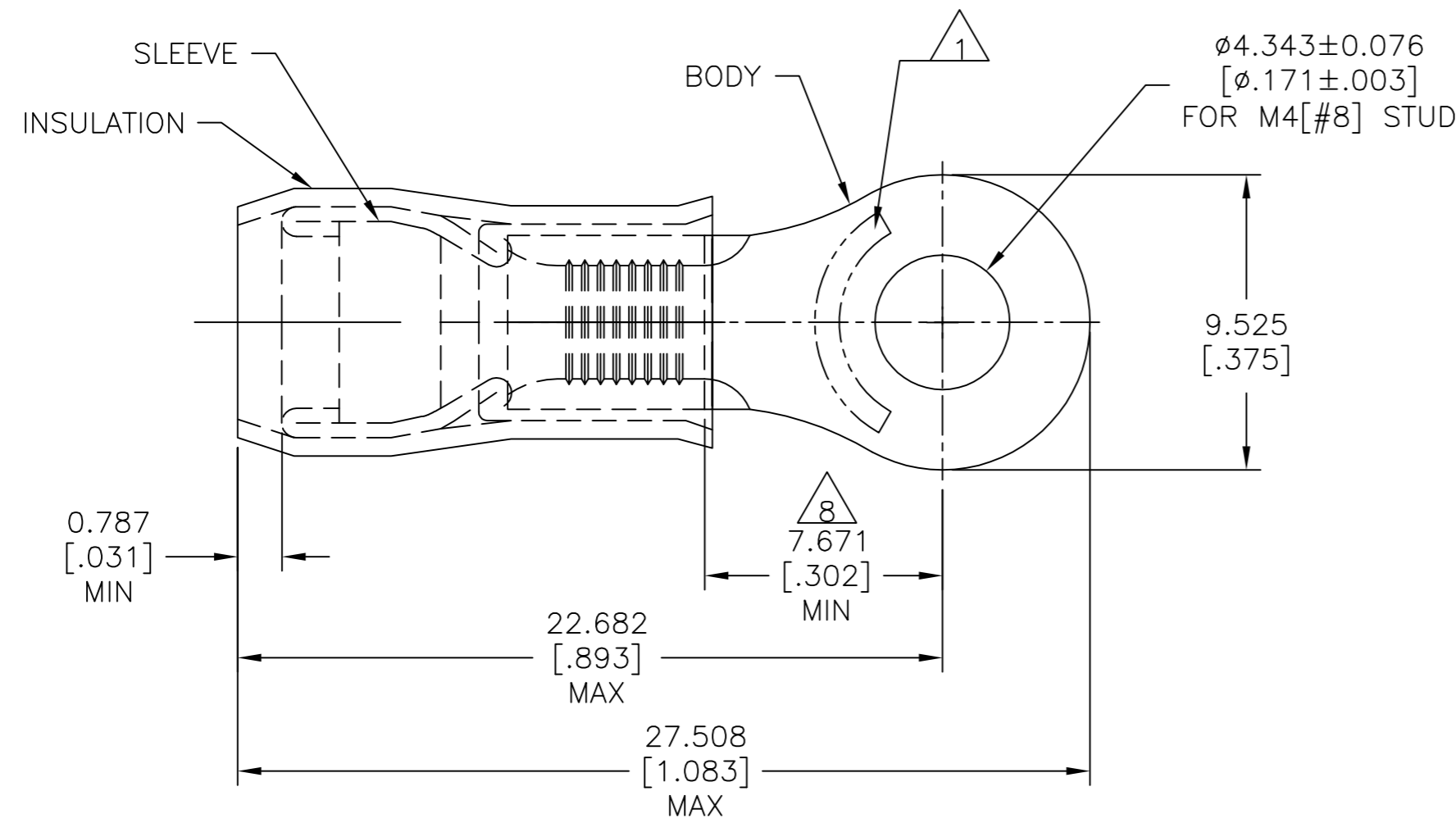
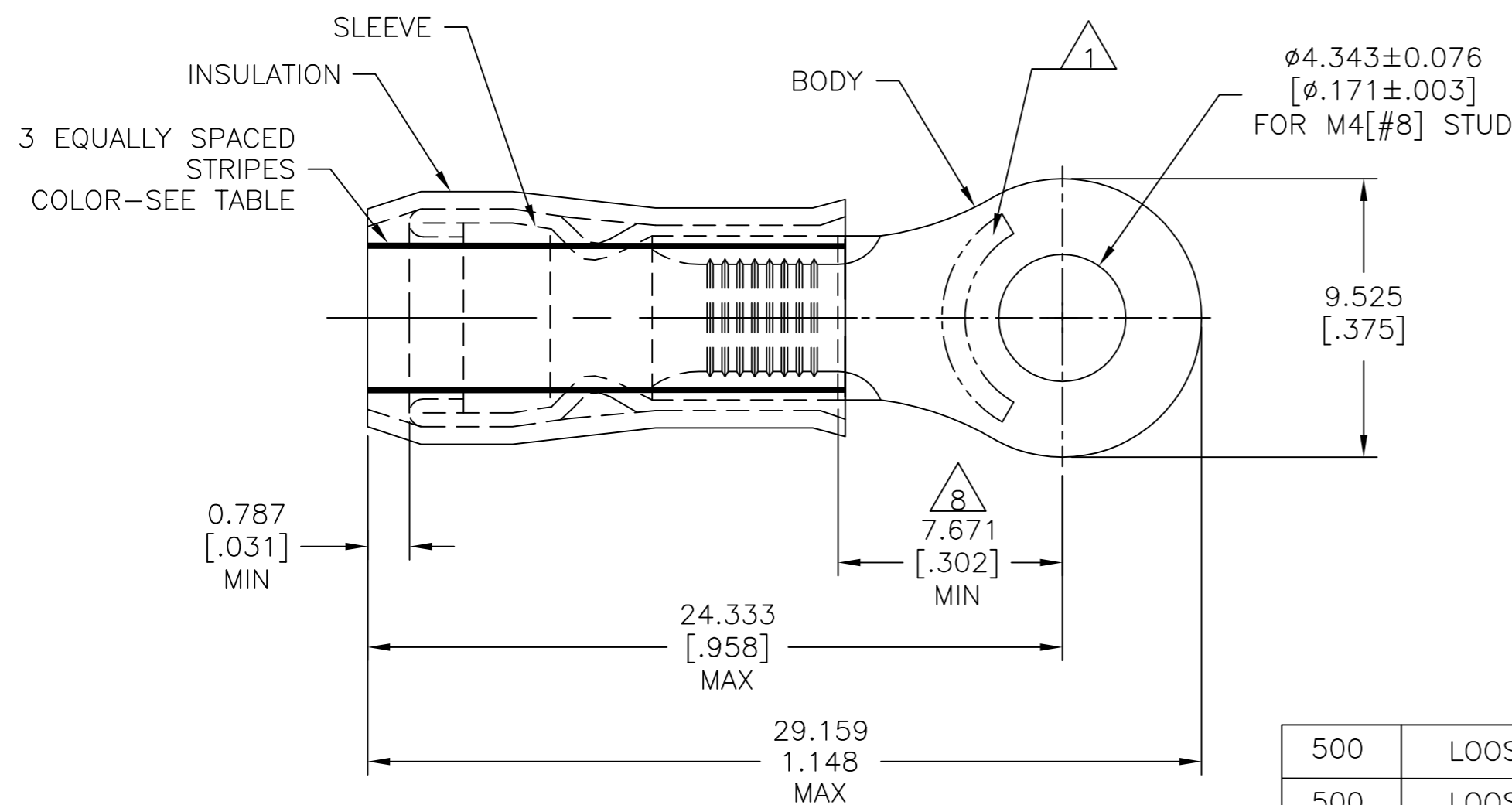


THIS DRAWING IS UNPUBLISHED. RELEASED FOR PUBLICATION  
 © COPYRIGHT - By - ALL RIGHTS RESERVED.

REVISIONS					
P	LTR	DESCRIPTION	DATE	DWN	APVD
U		REVISED PER ECO-14-015277	18FEB2015	NK	DR
U1		REVISED PER ECO-17-007400	05DEC2017	RS	DR



STYLE "A"



STYLE "B"  
INSULATION RESTRICTING

<b>AMP</b> WIRE RANGE	E13288 Listed	LR7189 Certified
12-10 AWG SOLID OR STRANDED	12-10 AWG SOLID OR STRANDED	12-10 AWG SOLID OR STRANDED

- STAMP "AMP - SEE TABLE" APPROX AS SHOWN.
- WIRE INSULATION DIA: SEE TABLE .
- BODY MATERIAL THK: 1.016±0.051[.040±.002].
- FINISH:  
BODY: TIN PLATE 0.00254[.000100] MIN EXT THK PER ASTM B545.  
INSULATION: COLOR-YELLOW
- FINISH:  
SLEEVE: TIN PLATE 0.00254[.000100] MIN EXT THK PER ASTM B545.  
INSULATION: COLOR-YELLOW
- FINISH:  
SLEEVE: NICKEL PLATE PER SAE AMS QQ-N-290.  
INSULATION: COLOR-YELLOW
- MATERIAL:  
BODY & SLEEVE- CU PER ASTM B152  
INSULATION - NYLON PER ASTM D4066
- APPLIES FROM EDGE OF METAL WIRE BARREL TO CENTER OF STUD HOLE.
- MEETS MS25036-156, CLASS 1 & 2.
- MEETS MS25036-156, CLASS 2.
- MEETS M7928/1-57, CLASS 1 & 2.
- MEETS M7928/1-64, CLASS 1 & 2.
- NOTE DELETED.
- STYLE "A" ONLY.

500	LOOSE PIECE	10*	3.023-5.080[.119-.200]	10	BROWN	B				2-320568-3
500	LOOSE PIECE	12*	2.413-5.080[.095-.200]	12	YELLOW	B				2-320568-2
2500	ON TAPE & REEL	12-10*	3.810-5.842[.150-.230]	12-10	--	A				2-320568-1
500	LOOSE PIECE	12-10*	3.810-5.842[.150-.230]	12-10	--	A				320568
QTY	PACKAGE TYPE	STAMPING	WIRE INSUL DIA	WIRE SIZE	STRIPE COLOR	STYLE	BODY FINISH	SLEEVE FINISH	PART NO	

CUSTOMER SERVICE SYSTEMS		MAX RECOMMENDED OPERATING TEMPERATURE: 105°C[221°F] MAX		THIS DRAWING IS A CONTROLLED DOCUMENT.		DWN JR RUTH 17DEC09		TE Connectivity NAME T MICHELUTTI PRODUCT SPEC UL 486 A-B APPLICATION SPEC 114-2157					
FOR ADDITIONAL PRODUCT INFORMATION OR COPIES OF DRAWINGS AND TECHNICAL DOCUMENTS		PRODUCT INFORMATION CENTER 1-800-522-6752		DIMENSIONS: mm [INCHES]		CHK T MICHELUTTI 17DEC09						SIZE A2	
FOR APPLICATION TOOLING INFORMATION		TOOLING ASSISTANCE CENTER 1-800-722-1111		VOLTAGE RATING: 300 VOLT MAX		APVD T MICHELUTTI 17DEC09		SCALE 5:1		SHEET 1 of 1		RESTRICTED TO -	
FOR ORDER ENTRY		1-800-526-5142		CIRCULAR MIL AREA: 2.62-6.64mm²[5,180-13,100] STRANDED OR SOLID		MATERIAL 		WEIGHT -		REV U1		CUSTOMER DRAWING	