

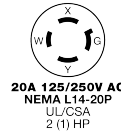
Twist-Lock® Devices 20A, 125/250V AC, 3 Pole, 4 Wire Grounding Insulgrip® Plug

HUBBELL



Features

- Superior cord grip design protects terminations from excess strain.
- Clear, funnel shaped wire entry for ease of termination.
- Integral dust shield protects wiring chamber from dust or contaminants.



Ordering Information

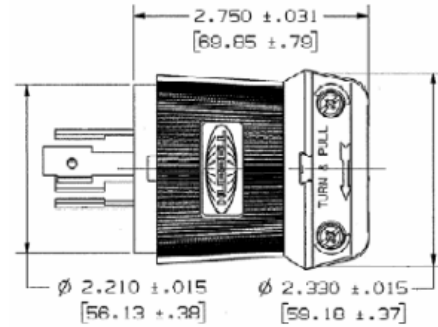
Description	Cord Diameter	UPC	Catalog Number
Black nylon.	.350"-1.150" (9-29)	783585172309	HBL2411BK

Listings

Listed to UL 498
Fed.Spec. W-C-596
Certified to CSA C22.2 No.42

Specifications

Housing / Cord Clamp	Nylon
Terminal Retainer	Clear polycarbonate
Blades	Brass
Terminal Screws	#10-32 Brass (Phillips / Slotted / Robertson)
Terminal Clamp	Cold rolled steel – nickel plated
Assembly Screws	Steel - nickel plated



Performance

Electrical

Current Interrupting	Certified for current interrupting at full rated current
Dielectric Voltage	Withstands 2,000V minimum

Mechanical

Flammability	HB or better per UL94/CSA 22.2 No.0.17
Terminal Accommodation	#16 AWG - #8 AWG stranded copper wire only.
Terminal Identification	Terminals identified in accordance with UL 498

Environmental

Moisture Resistance	IP20 Suitability
Operating Temperatures	Maximum Continuous 75°C Minimum -40°C (w/o impact)

Accessories

Connector	HBL2413BK
Single Receptacle	HBL2410
Flanged Receptacle	HBL2416
Weatherproof Boot	HBL6031

Resources

Customer Use Drawing	
eCatalog	

Dimensions in Inches (mm)

Hubbell Wiring Device-Kellems • Hubbell Incorporated (Delaware) • 40 Waterview Drive • Shelton, CT 06484

Phone (800) 288-6000 • Fax (800) 255-1031 • Specifications subject to change without notice.

