

Component #1 Catagory 5E Cable

Number of Pairs: 4
AWG: 26 (7/34) Bare Copper (.019")
Insulation: .010" Polyolefin
Primary O.D.: .039" +/- .002"
Color Code: White/Blue-Blue
White/Orange-Orange
White/Green-Green
White/Brown-Brown

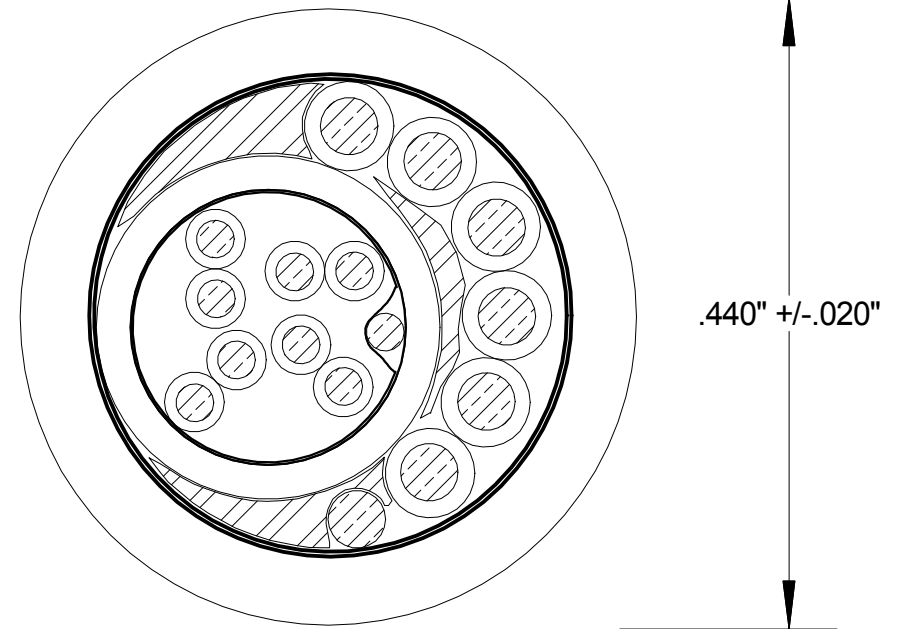
Separator: Clear Mylar
Drain Wire: 26 (7/34) Tinned Plated Copper
Shield: Aluminum/Mylar (Foil In)
Jacket: .022" Nominal wall PVC
Jacket Color: Blue
Finished O.D.: .210" Nominal

Components #2

Number of Conductors: 6
AWG/Strand: 16 (26/30) Tinned Plated Copper (.057" Nom.)
Primary Insulation: .012" Nominal Wall Polypropylene
Primary O.D.: .080" +/- .002"
Color Code: Orange, Red, Brown, Black, White, Blue

Planetary Cabled: 4.5" Left Hand Lay (.348" Nominal)
Fillers: Fibulated Polypropylene
Drain Wire: 16 (26/30) Tinned Plated Copper
Shield: Overall Aluminum/Mylar (Foil In)
Jacket: .045" Nominal Wall Polyurethane (Semi-Pressure for Roundness)
Jacket Color: Glossy Black
Finished O.D.: .440" +/- .020"
Jacket Printed: P6C-16GBK-CAT5E CE ... ROHS ... 300 V WWW.MROELECTRONICS.COM
Bending Radius: 4.00" Minimum
Static Temperature Rating: -40°C to +80°C

Revisions				
Rev.	Description	Date	Edit By	
A	Cat5E + 6 x 16 awg Composite	03/26/18	PJH	



Drawing #:	Rev. A
------------	--------

