

REV.	DESCRIPTION	DATE	APPROVED
A	CREATED FROM 7J0020D. RELEASED PER DCF #11461.	02/01/17	F. SUTTON

- Jacket:**
- Polyurethane , Polyether Base (H2O Compatible)
 - UV Resistant
 - OD .270" +.010" -.000"
 - Wall Thickness .035" Minimum
 - Must be Round, Minimal Lumps
 - Navy Blue #CC10113142WE
 - Clariant RV54676240 also acceptable
 - Print on Jacket Once Per Ft (.08 Font , All Caps, White):
 - "NW P/N 6E540 , 7A23540"

- Braided Shield:**
- 36 AWG , Sn Plated Cu Woven Braid
 - Nominal 70% Coverage

- Drain Wire:**
- Sn Plated Cu Wire
 - 24AWG, 19/36 Stranding
 - Wrapped with Conductors

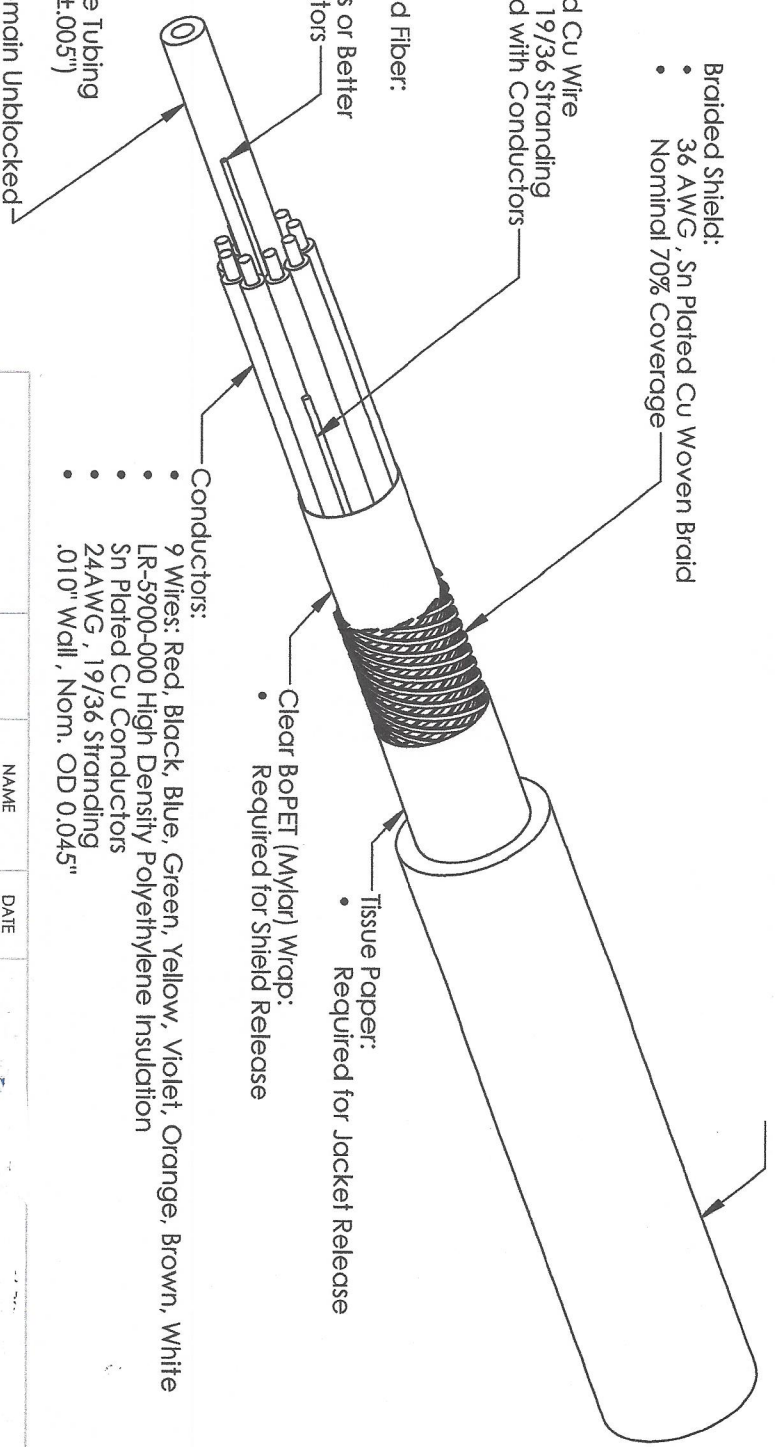
- Para-Aramid (Kevlar) Stranded Fiber:**
- Nominal .024" OD
 - Break Strength of 130lbs or Better
 - Wrapped with Conductors

- Vent Tube:**
- High Density Polyethylene Tubing
 - .080" OD x .040" ID (Both ±.005")
 - Natural Coloring
 - Internal Passage Must Remain Unblocked

- Conductors:**
- 9 Wires: Red, Black, Blue, Green, Yellow, Violet, Orange, Brown, White
 - LR-5900-000 High Density Polyethylene Insulation
 - Sn Plated Cu Conductors
 - 24AWG , 19/36 Stranding
 - .010" Wall , Nom. OD 0.045"

- Clear BoPET (Mylar) Wrap:**
- Required for Shield Release

- Tissue Paper:**
- Required for Jacket Release



TITLE:
Cable, PU, 9 Cond, Braid,
Kevlar, V

UNLESS OTHERWISE SPECIFIED DIMENSIONS ARE IN INCHES	NAME	DATE
DRAWN	G Stidley	02/01/17
MECH. ENG.	G Stidley	02/01/17
ELEC. ENG.	L Margulies	02/01/17
MFG. ENG.	G Strom	02/01/17
Q.A.	P Carlson	02/01/17

TOLERANCES:
ANGULAR: ± .5°

X ± .03
XX ± .01
XXX ± .005
XXXX ± .001

BREAK SHARP EDGES
DO NOT SCALE DRAWING

- Notes**
- All New Vendors Must Supply ≥10ft Sample for Approval