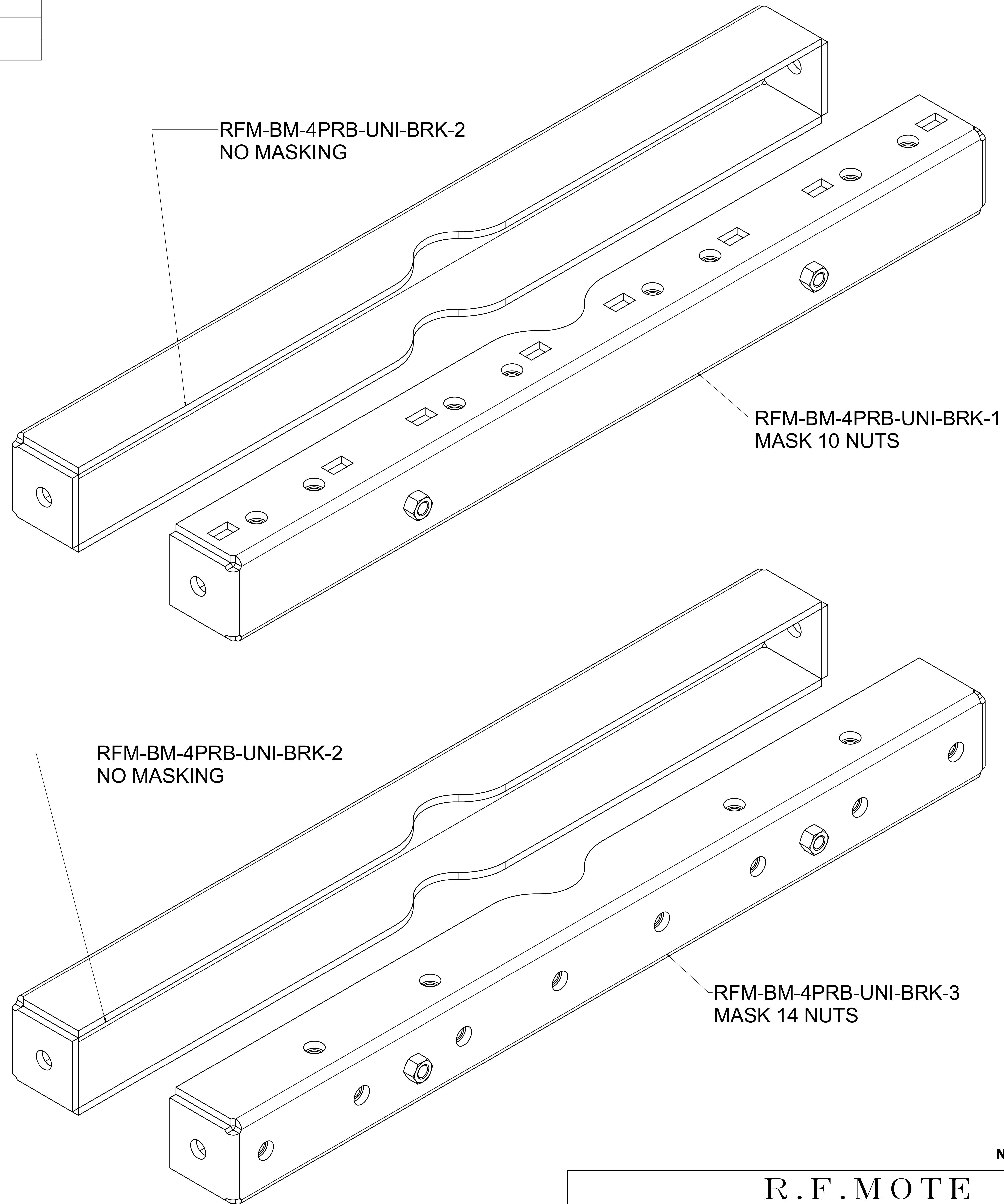


MATERIAL LIST			
ITEMS	QTY	PART NUMBER	REV
1	1	RFM-BM-4PRB-UNI-BRK-1	00
2	2	RFM-BM-4PRB-UNI-BRK-2	00
3	1	RFM-BM-4PRB-UNI-BRK-3	00

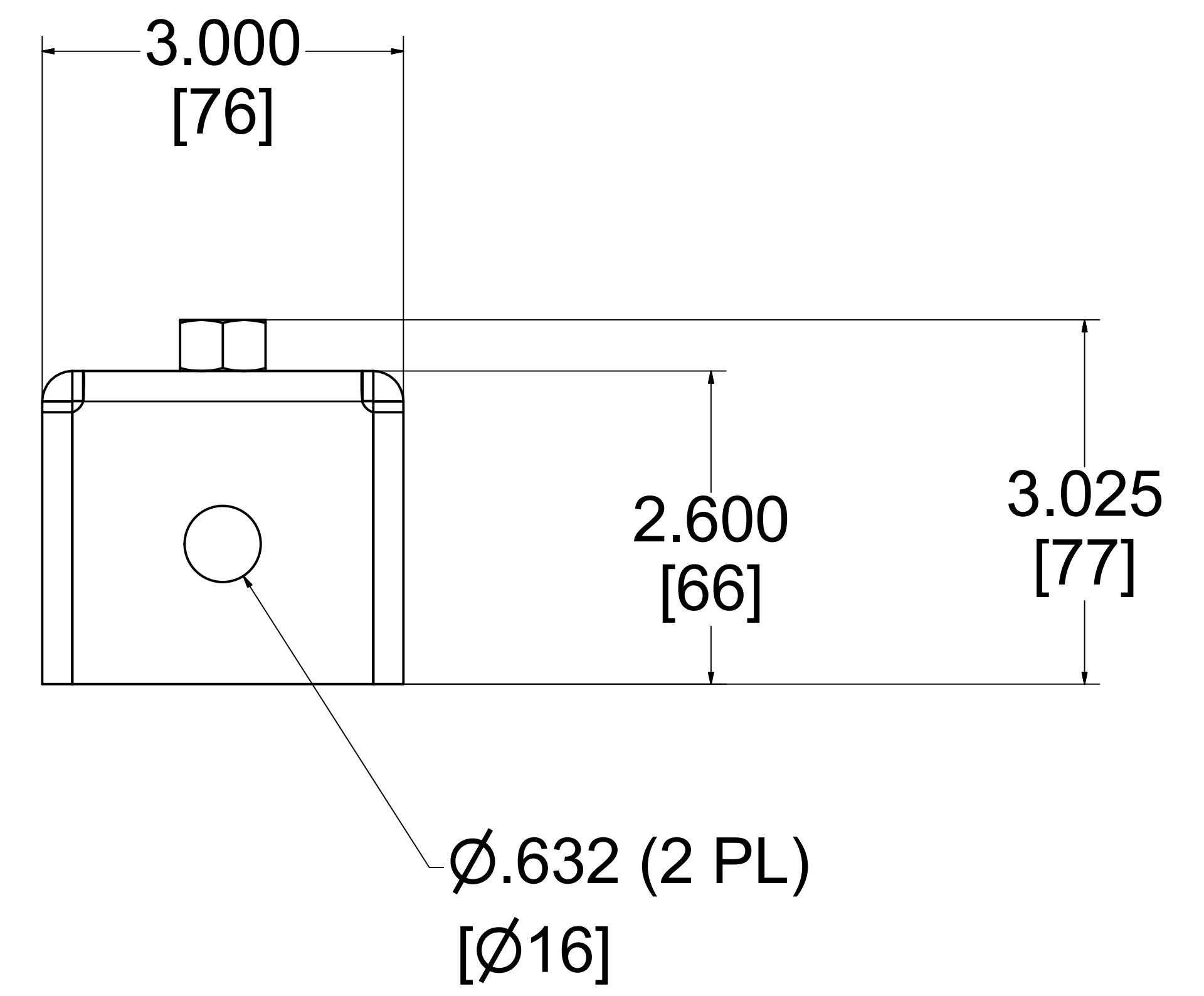
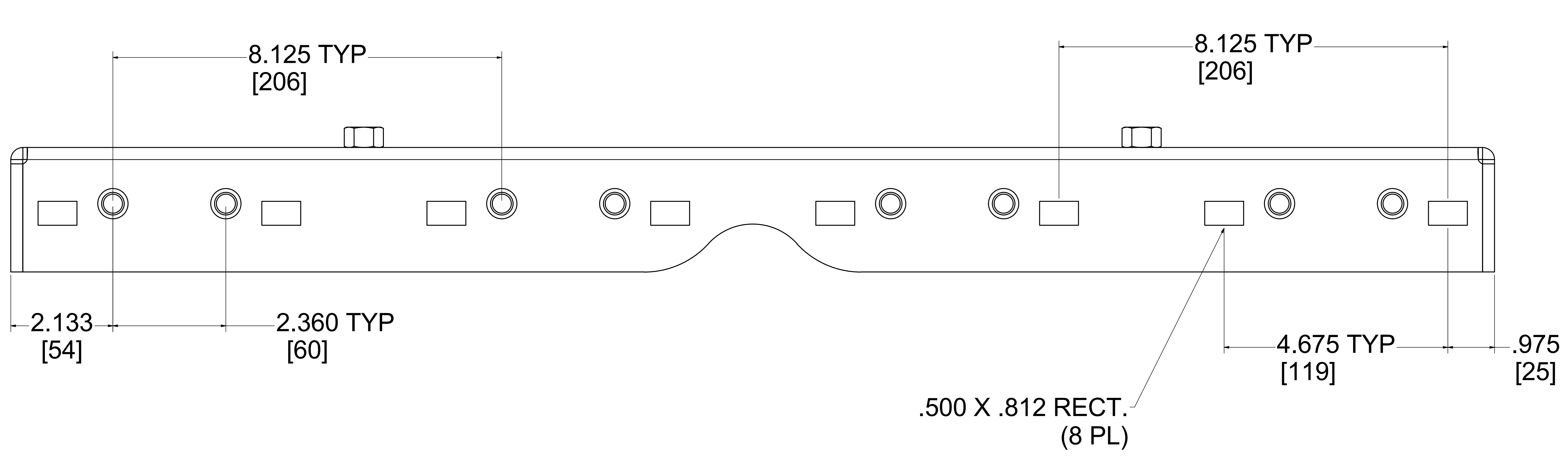
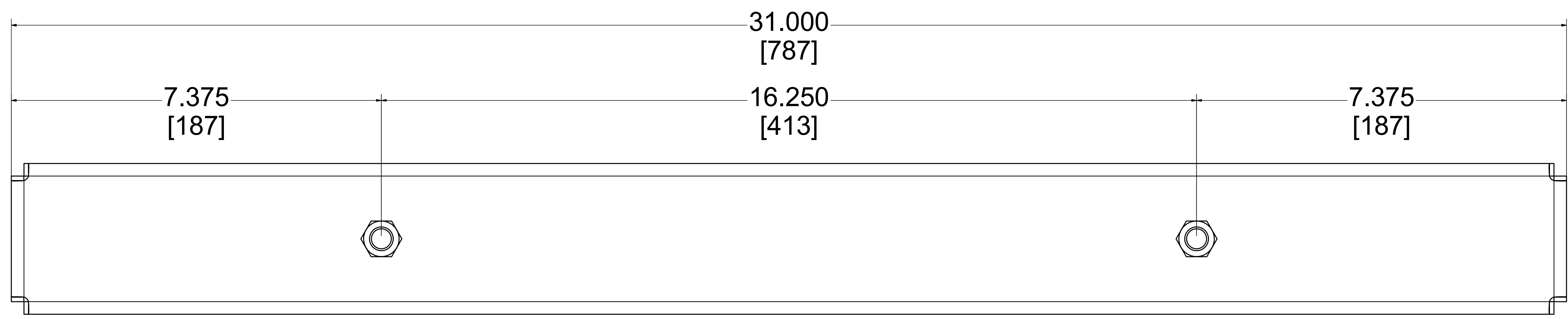
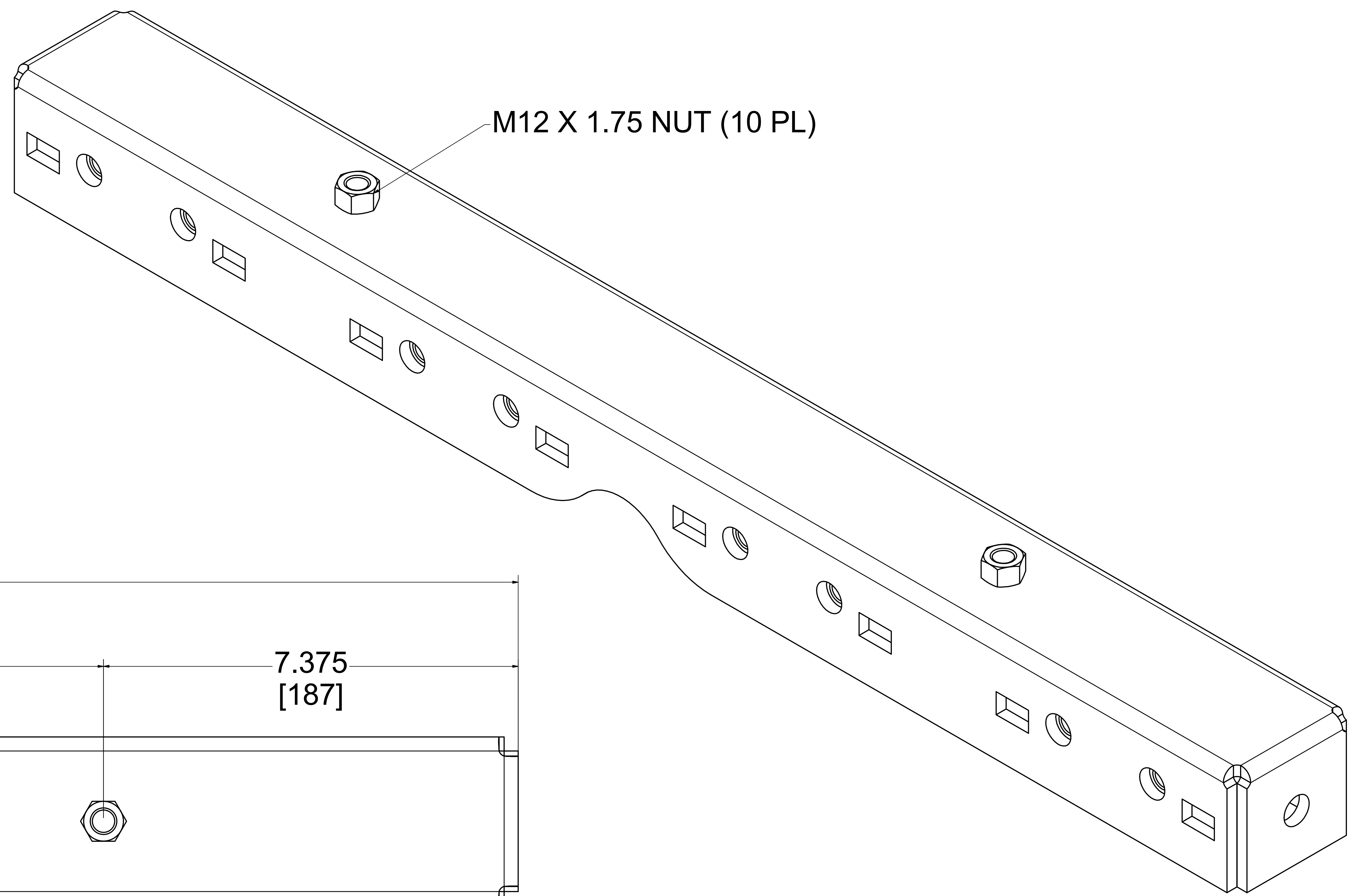
E-COAT ALL PARTS BEFORE PAINTING
 PAINT ASA 61 GREY --- PS311-A178
 BAG PARTS INDIVIDUALLY --- S-6347
 BOX PART SET IN 4PRB-UNI BOX
 INCLUDE QTY 1 --- 4PRB HARDWARE KIT



NOTE: ISOMETRIC VIEW IS NOT TO SCALE

R.F.MOTE LTD ENGINEERED SYSTEMS				
PART NUMBER				
RFM-BM-4PRB-UNI				
DATE	SCALE	SHEET	WEIGHT	REV
5/1/2018	.9	1 OF 1	68.047 lbmass	00
Please visit www.rfmote.com for more information and specs				

The information contained herewithin is proprietary and confidential to **R.F.MOTE LTD**. It may not be reproduced or further disseminated, in whole or in part, without prior written consent from **R.F.MOTE LTD**.



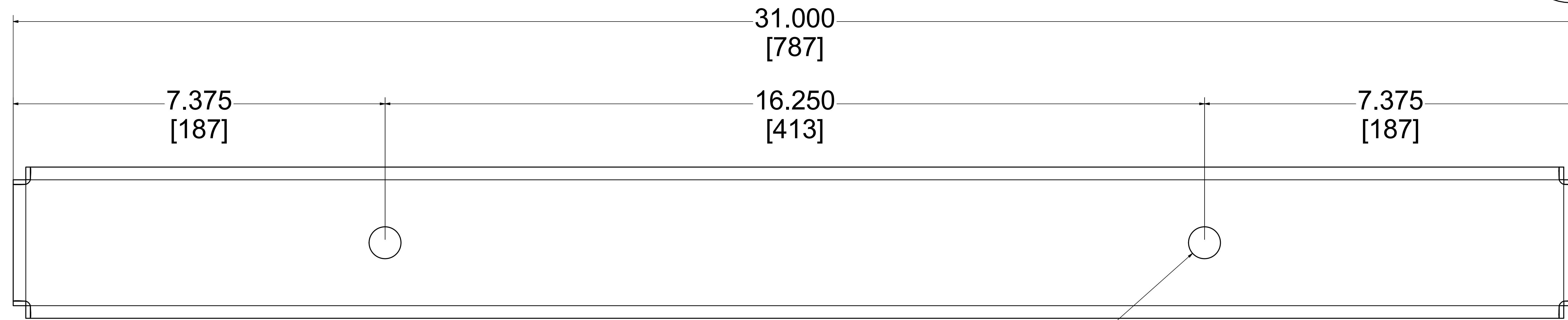
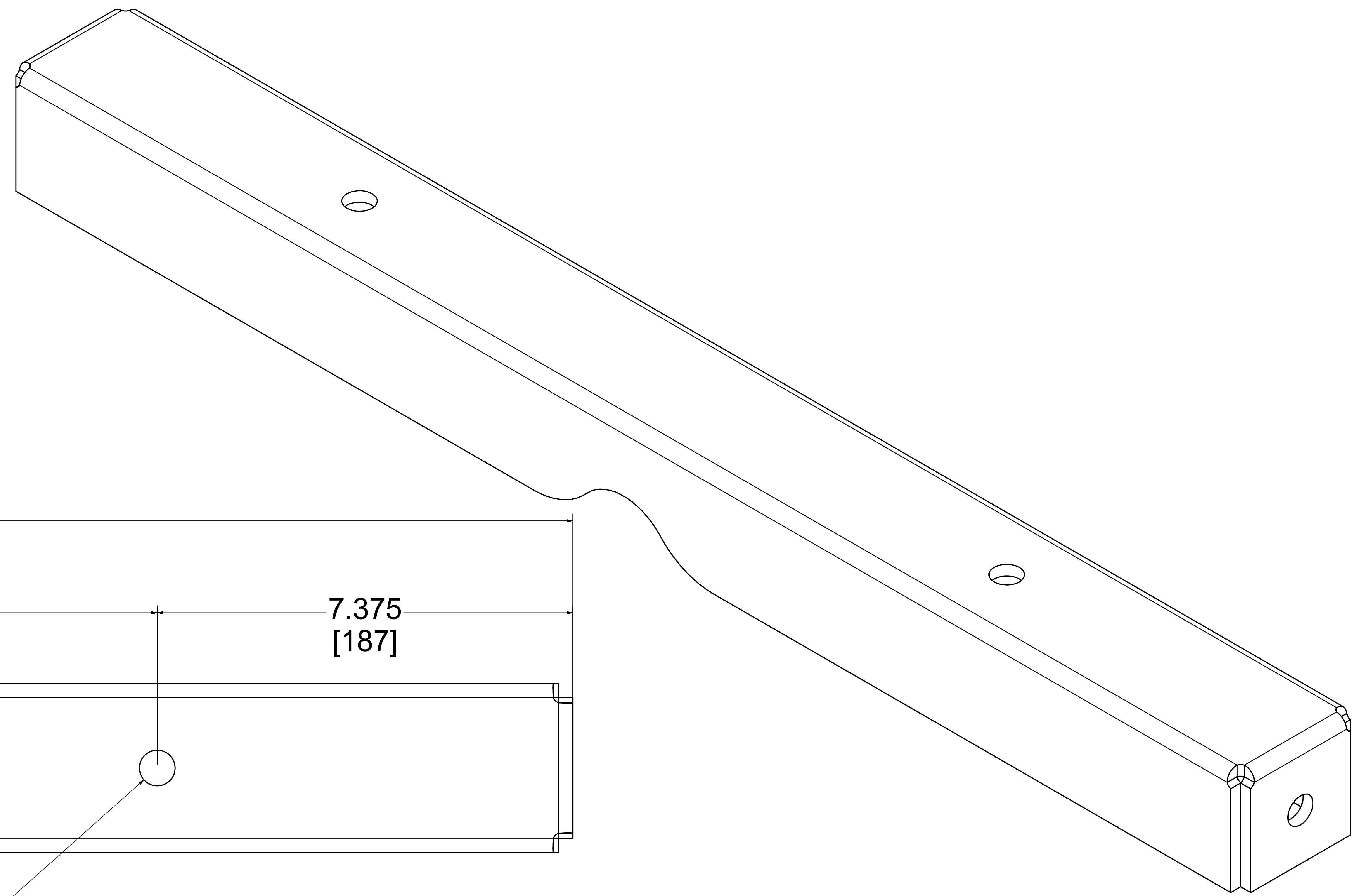
NOTE: ISOMETRIC VIEW IS NOT TO SCALE

R.F.MOTE LTD ENGINEERED SYSTEMS				
PART NUMBER				
RFM-BM-4PRB-UNI-BRK-1				
DATE	SCALE	SHEET	WEIGHT	REV
	1	1 OF 1	16.920 lbmass	00

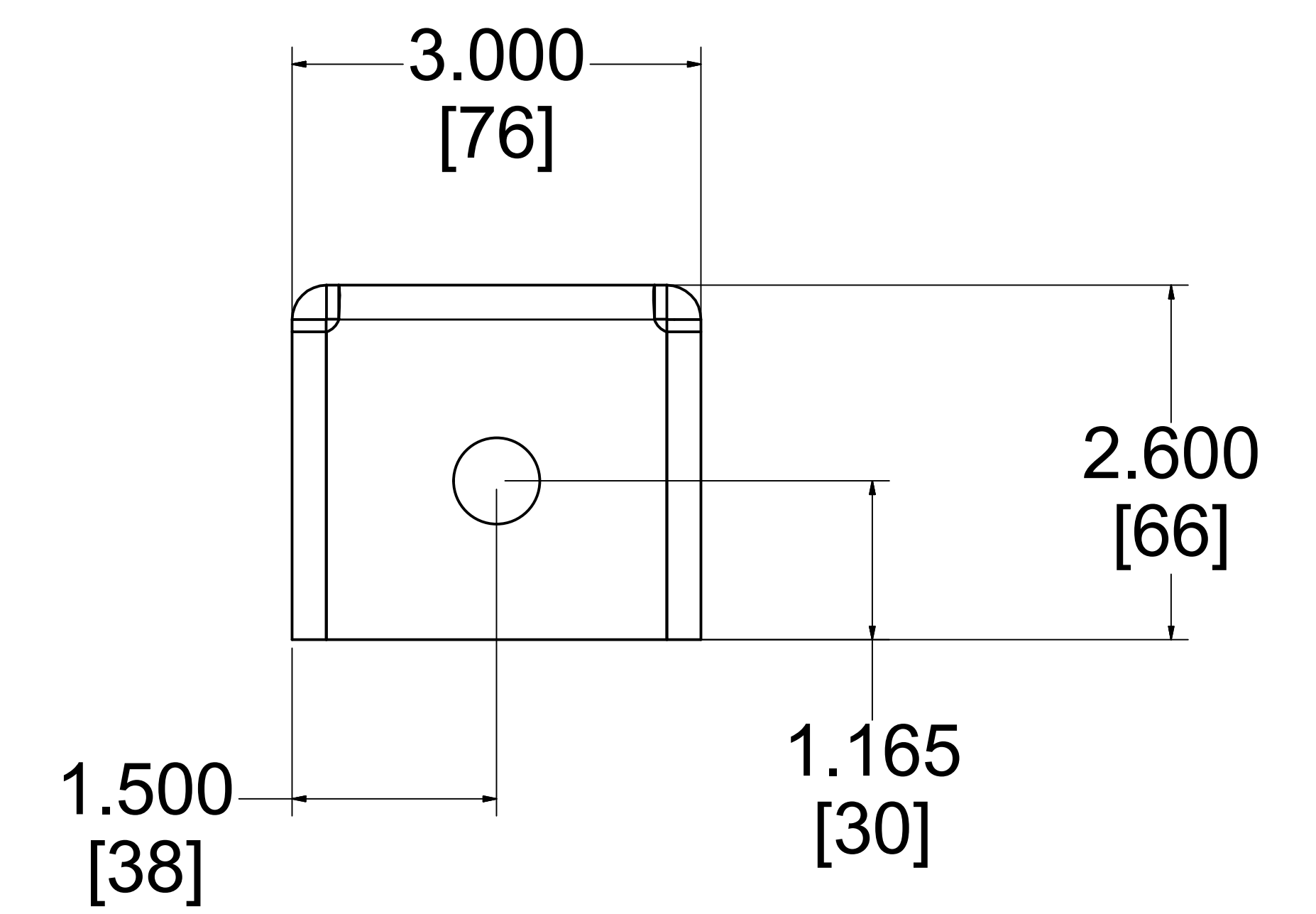
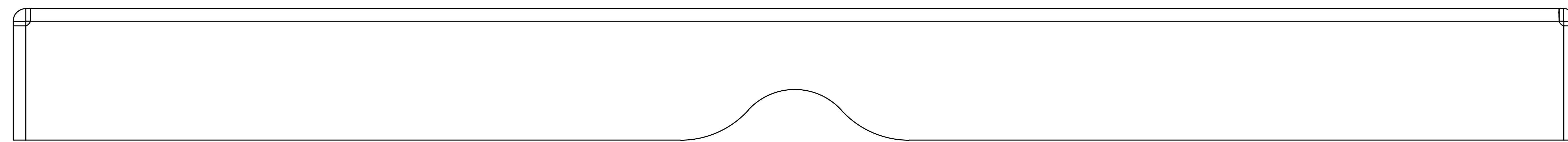
MATERIAL LIST				
ITEMS	QTY	PART NUMBER	REV	
1	1	RFM-BM-4PRB-UNI-BRK-1	00	
2	10	M12 x 1.75 Nuts	00	

The information contained herewithin is proprietary and confidential to **R.F.MOTE LTD.** It may not be reproduced or further disseminated, in whole or in part, without prior written consent from **R.F.MOTE LTD.**

Please visit www.rfmote.com for more information and specs



Ø.632 (4 PL)
[Ø16]



NOTE: ISOMETRIC VIEW IS NOT TO SCALE

R.F.MOTE LTD
ENGINEERED SYSTEMS

PART NUMBER

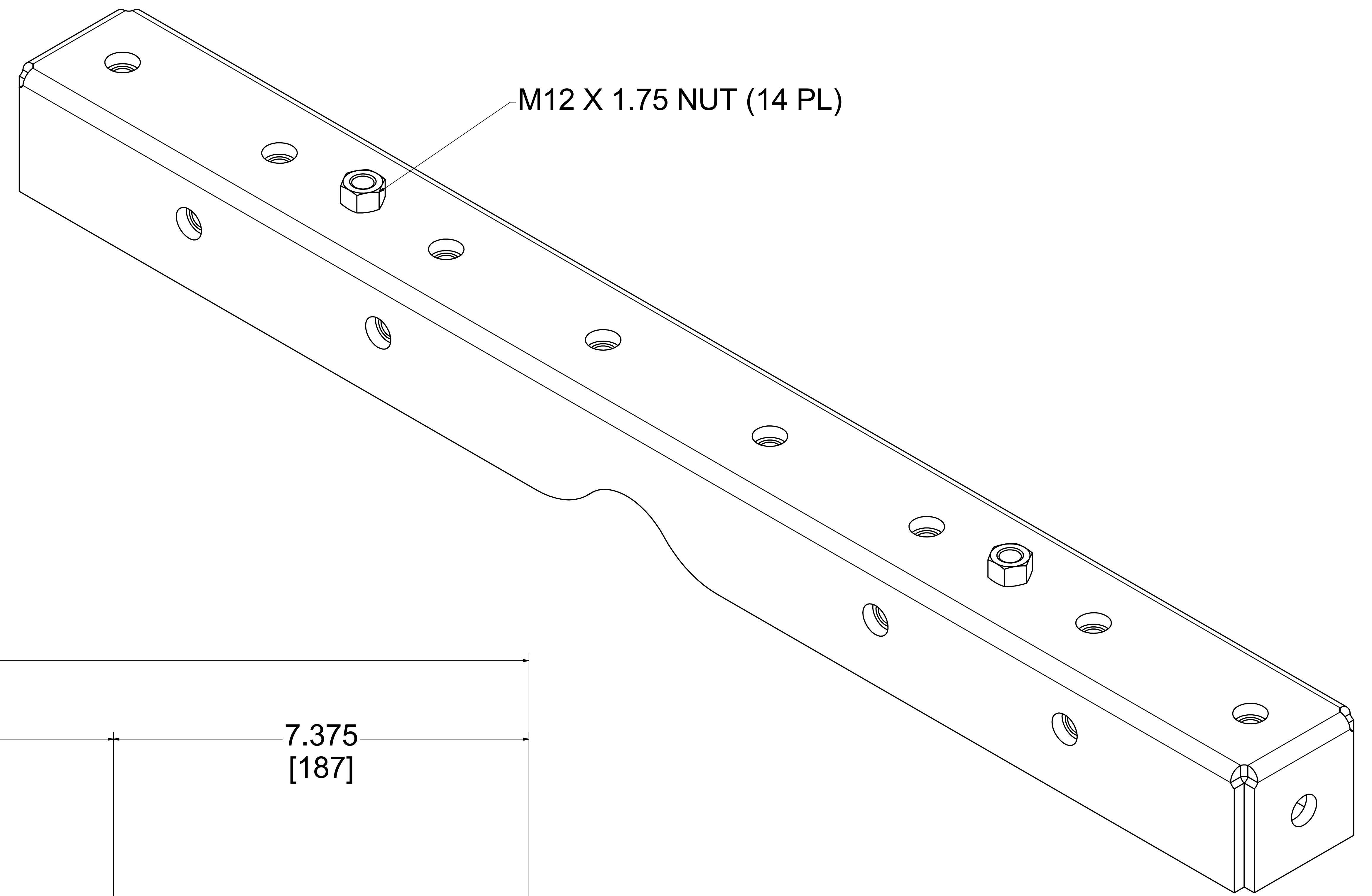
RFM-BM-4PRB-UNI-BRK-2

MATERIAL LIST			
ITEMS	QTY	PART NUMBER	REV
1	1	RFM-BM-4PRB-UNI-BRK-2	00

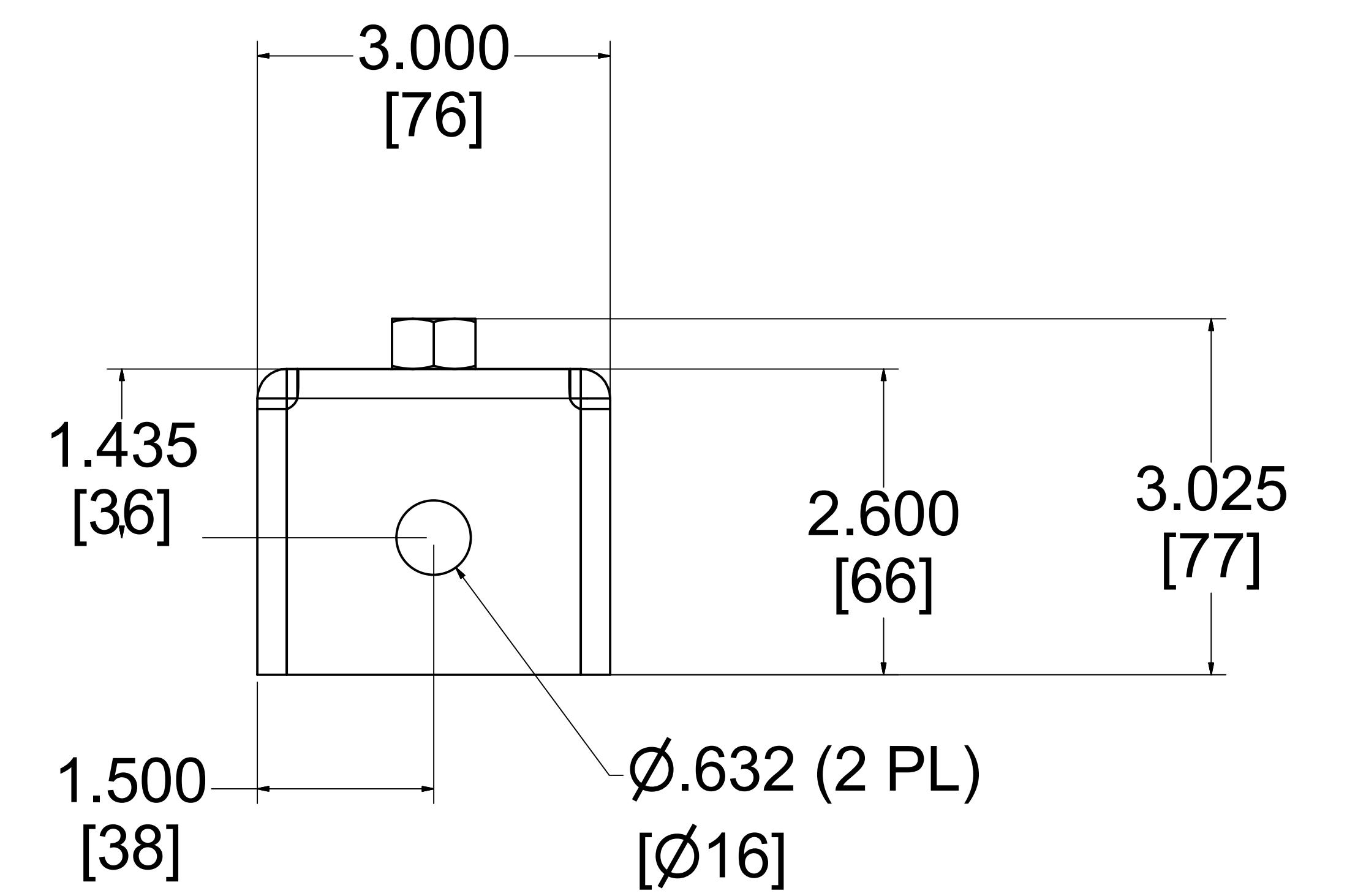
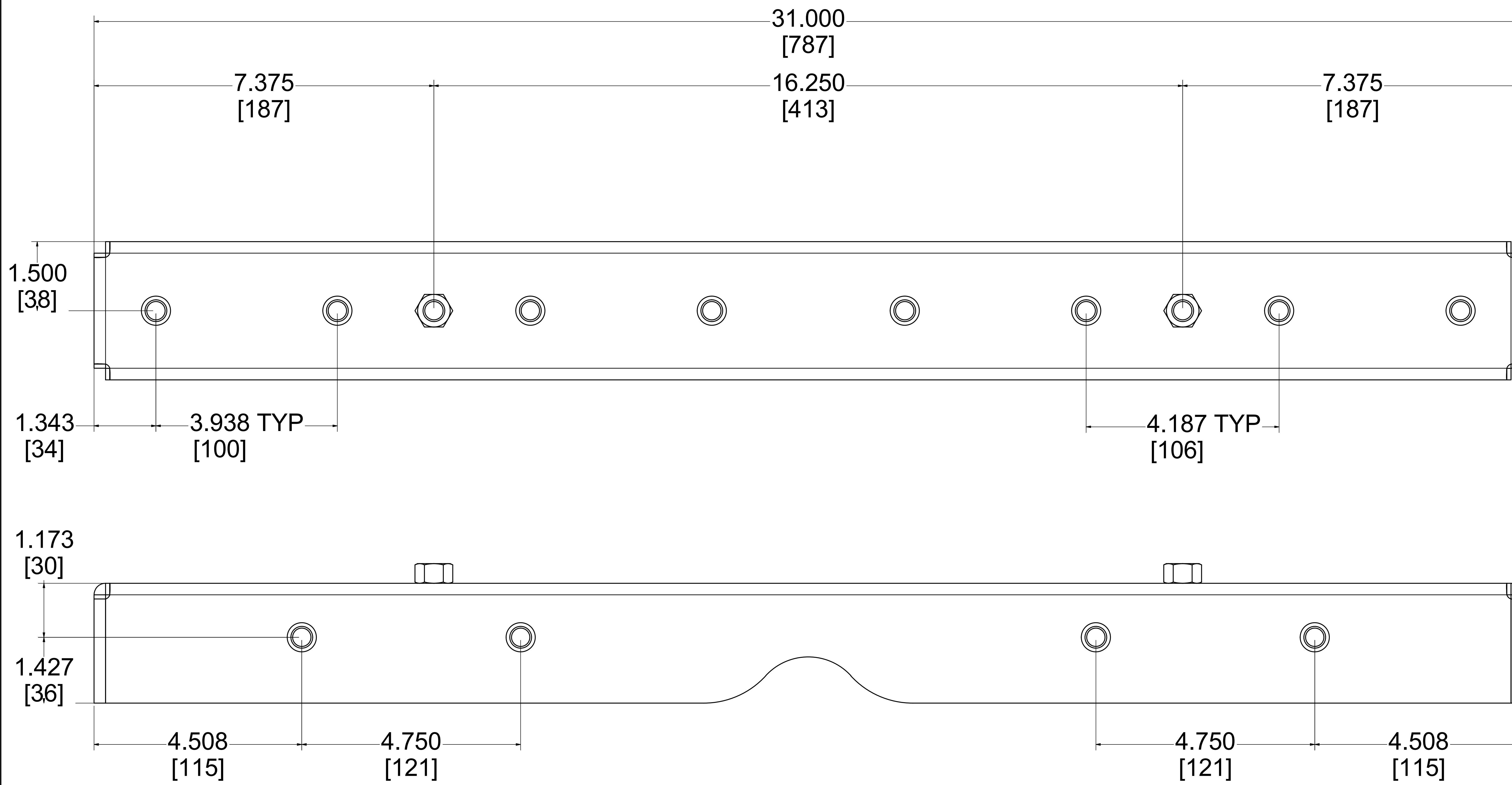
The information contained herewithin is proprietary and confidential to **R.F.MOTE LTD**. It may not be reproduced or further disseminated, in whole or in part, without prior written consent from **R.F.MOTE LTD**.

DATE 5/1/2018	SCALE 1	SHEET 1 OF 1	WEIGHT 16.959 lbmass	REV 00
------------------	------------	-----------------	-------------------------	-----------

Please visit www.rfmote.com for more information and specs



M12 X 1.75 NUT (14 PL)



NOTE: ISOMETRIC VIEW IS NOT TO SCALE

R.F.MOTE LTD
ENGINEERED SYSTEMS

PART NUMBER

RFM-BM-4PRB-UNI-BRK-3

MATERIAL LIST			
ITEMS	QTY	PART NUMBER	REV
1	1	RFM-BM-4PRB-UNI-BRK-3	00
2	14	M12 x 1.75 Nut	00

The information contained herewithin is proprietary and confidential to **R.F.MOTE LTD**. It may not be reproduced or further disseminated, in whole or in part, without prior written consent from **R.F.MOTE LTD**.

DATE	SCALE	SHEET	WEIGHT	REV
5/1/2018	1	1 OF 1	17.210 lbmass	00