

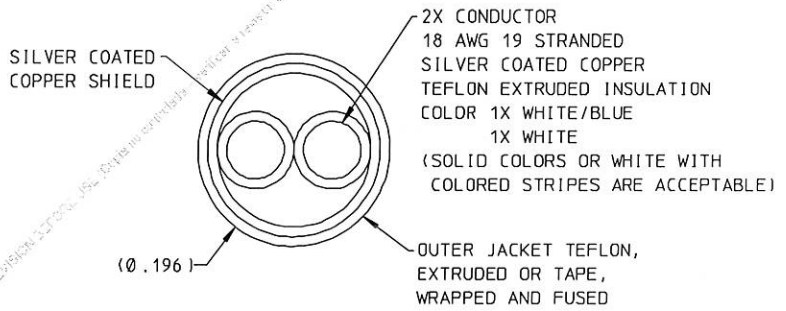
NOTICE TO ALL PERSONS RECEIVING THIS DRAWING  
 THIS DRAWING IS ONLY CONDITIONALLY ISSUED, AND NEITHER RECEIPT NOR POSSESSION THEREOF CONFERES OR TRANSFERS ANY RIGHT IN, OR LICENSE TO USE THE SUBJECT MATTER OF THE DRAWING OR ANY DESIGN OR TECHNICAL INFORMATION SHOWN THEREON, NOR ANY RIGHT TO REPRODUCE THIS DRAWING OR ANY PART THEREOF EXCEPT FOR MANUFACTURE BY VENDORS FOR HARGIS LABORATORIES, INC. AND FOR MANUFACTURE UNDER THE CORPORATION'S WRITTEN LICENSE. NO RIGHT TO REPRODUCE THIS DRAWING IS GRANTED UNLESS BY WRITTEN AGREEMENT WITH OR WRITTEN PERMISSION FROM HARGIS LABORATORIES, INC.

ECP	ECR	REL DATE	REV. LET.	REVISION	REV. BY	CHK BY	APPROVED BY		
							ENG	M. E.	QA
		9-15-08	-	DCRA 29133-000- (INITIAL RELEASE)	RFP	RFP	AJH	PC	JSP
		5-19-09	A	DCRA 29133-000A, ADDED NOTE 6	RFP	RFP	AJH	PCJ	GPG

NOTES:

- CABLE TO MEET THE REQUIREMENTS OF M27500-18LE2S06 FOR:
  - CONDUCTOR CONSTRUCTION.
  - CABLE JACKET INSULATION.
  - SHIELD APPLICATION.
  - ELECTRICAL REQUIREMENTS.
- MARKER TAPE IDENTIFICATION IS NOT REQUIRED IN THIS CABLE.
- CABLES SHALL BE SPOOLED ON PLASTIC REELS WITH INCREMENTAL LENGTHS NOT SHORTER THAN 250 FEET.
- TEMPERATURE RATING: -55°C TO 200°C
- VOLTAGE RATING: 1000V
- WIRE CAPACITANCE:

WIRE TO WIRE: 40 PF/FT (.040 NF)  
 WIRE TO SHIELD: 80 PF/FT (.080NF)



29133-000  
 PART NUMBER

UNLESS OTHERWISE SPECIFIED, DIMENSIONS ARE IN INCHES  
 TOLERANCES ARE:  
 DECIMALS .010  
 FRACTIONS 1/32  
 ANGLES ±1°  
 ALL DIAMETERS Ø .010  
 BREAK EDGES .005-.020  
 FILLETS TO BE .005-.020  
 SURFACE FINISH 125

APPROVALS	DATE
DRAWN RFP	8-27-08
CHECKED RFP	8-27-08
ENGR -	
DC AJH	9-11-08
M. E. PC	9-12-08
QA JSP	9-15-08

**Laboratories, Inc.**  
 BRANFORD, CT 06405-0010

TITLE: CABLE, ELECTRICAL, M27500-18LE2S06

MATERIAL SPEC	FINISH SPEC	PREPARED UNDER CONTRACT	FURNISHED UNDER CONTRACT	SIZE	CODE CODE	DRAWING NO.	REV.
				B	00060	29133-000	A
				SCALE	NONE		SHEET 1 OF 1

NOTICE TO ALL PERSONS RECEIVING THIS DRAWING  
 THIS DRAWING IS ONLY CONDITIONALLY ISSUED, AND NEITHER RECEIPT NOR POSSESSION  
 THEREOF CONFERES OR TRANSFERS ANY RIGHT TO OR LICENSE TO USE THE SUBJECT MATTER  
 OF THE DRAWING OR ANY DESIGN OR TECHNICAL INFORMATION SHOWN THEREON. NO RIGHT  
 TO REPRODUCE THIS DRAWING OR ANY PART THEREOF EXCEPT FOR MANUFACTURE BY  
 VENDORS FOR HARGIS LABORATORIES, INC. AND FOR MANUFACTURE UNDER THE CORPORATION'S  
 WRITTEN LICENSE. NO RIGHT TO REPRODUCE THIS DRAWING IS GRANTED UNLESS BY  
 WRITTEN AGREEMENT WITH OR WRITTEN PERMISSION FROM HARGIS LABORATORIES, INC.

ECP	ECR	REL DATE	REV. LET.	REVISION	REV. BY	CHK BY	APPROVED BY		
							ENG	M. E.	QA
		9-15-08	-	DCRA 29133-000-, INITIAL RELEASE	RFP	RFP	AJH	PC	JSP
		5-19-09	A	DCRA 29133-000A, ADDED NOTE 6	RFP	RFP	AJH	MCJ	GPG

NOTES:

1. CABLE TO MEET THE REQUIREMENTS OF M27500-18LE2S06 FOR:

- A. CONDUCTOR CONSTRUCTION.
- B. CABLE JACKET INSULATION.
- C. SHIELD APPLICATION.
- D. ELECTRICAL REQUIREMENTS.

2. MARKER TAPE IDENTIFICATION IS NOT REQUIRED IN THIS CABLE.

3. CABLES SHALL BE SPOOLED ON PLASTIC REELS WITH INCREMENTAL LENGTHS NOT SHORTER THAN 250 FEET.

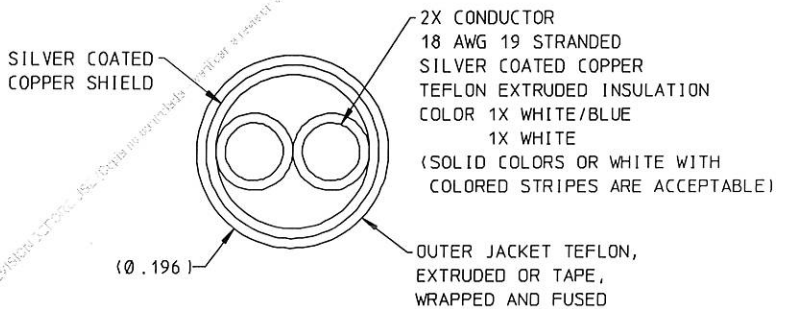
4. TEMPERATURE RATING: -55°C TO 200°C

5. VOLTAGE RATING: 1000V

Ⓐ 6. WIRE CAPACITANCE:

WIRE TO WIRE: 40 PF/FT (.040 NF)

WIRE TO SHIELD: 80 PF/FT (.080NF)



29133-000  
 PART NUMBER

UNLESS OTHERWISE SPECIFIED,  
 DIMENSIONS ARE IN INCHES.  
 TOLERANCES ARE:  
 DECIMALS .010  
 FRACTIONS +1/32  
 ANGLES ±°  
 ALL DIAMETERS (0.010)  
 BREAK EDGES .005-.020  
 FILLETS TO BE .005-.020  
 SURFACE FINISH 125/

APPROVALS	DATE
DRAWN RFP	8-27-08
CHECKED RFP	8-27-08
ENGR -	-
DC AJH	9-11-08
M. E. PC	9-12-08
QA JSP	9-15-08

**Laboratories, Inc.**  
 BRANFORD, CT 06405-0010

TITLE  
 CABLE, ELECTRICAL,  
 M27500-18LE2S06

MATERIAL SPEC	FINISH SPEC	PREPARED UNDER CONTRACT	FURNISHED UNDER CONTRACT	SIZE	CAGE CODE	DRAWING NO.	REV.
				B	00060	29133-000	A
				SCALE	NONE		SHEET 1 OF 1