

**1. CONDUCTOR:**

- 1.1 Size and Material: 10 37/.0167" AWG nickel-plated copper wire.
- 1.2 O.D.: .117" nom.

**2. INSULATION:**

- 2.1 Extruded PTFE.
- 2.2 Wall thickness: .020" nom.
- 2.3 O.D.: .157" ± .004"
- 2.4 Color: white.

**3. SEPARATOR:**

- 3.1 Spiral-wrapped .003" PTFE/glass tape with a 50% overlap.
- 3.2 Wall thickness: .006" nom.
- 3.3 O.D.: .169" ± .004"

**4. JACKET:**

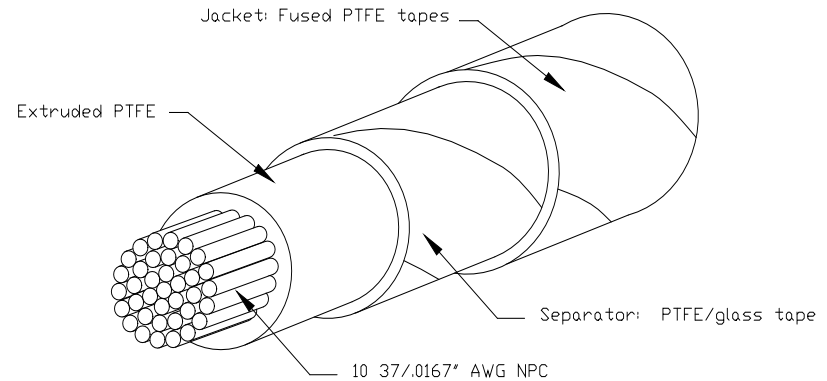
- 4.1 Spiral-wrapped and fused PTFE tapes.
- 4.2 Wall thickness: .009" nom.
- 4.3 Marking on the jacket: "CE / (>R)U AWM 10487 HBR-F CSA I A/B 600V 250°C FT1 GE P/N 362A2370P023"
- 4.4 O.D.: .187" ± .004"
- 4.5 Color: green with a yellow spiral stripe having 30% minimum coverage.

**5. PERFORMANCE:**

- 5.1 Voltage rating: 600 VAC R.M.S.
- 5.2 Temperature rating: 250°C

**6. REFERENCES:**

- 6.1 General Electric specification #362A2370.
- 6.2 UL Subject 758 (AWM), Style 10487.
- 6.3 CSA Standard C22.2 No.210 (AWM), Class I, Group A/B.
- 6.4 Low Voltage Directive (LVD) 73/23/EEC (EC).



**CUSTOMER APPROVAL**

Sign: \_\_\_\_\_  
 Date: \_\_\_\_\_

Engineering Change Notice No.						
1326						
<b>UNCONTROLLED DOCUMENT</b>						
A later revision of this specification may exist.						

This specification is the property of Harbour Industries Canada Limited and may not be used or copied without the express written permission of Harbour Industries Canada Limited.

Done:	<i>Pierre Girard</i>	
Date:	March 15, 2006	
Verified:	<i>Carole Lott</i>	
Date:	March 15, 2006	
Size:	Scale:	Page:
<b>A</b>	---	1 of 1

 1365, boul. Industriel, Farnham, Quebec, Canada, J2N 2X3 Phone: (450) 293-5304 Fax: (450) 293-2421 Web site: www.harbourind.com		
Description:		
<b>G.E. 362A2370P023</b>		
Code Ident. No:	Specification No.:	Rev.
<b>57104</b>	<b>F00099-S</b>	<b>A</b>