

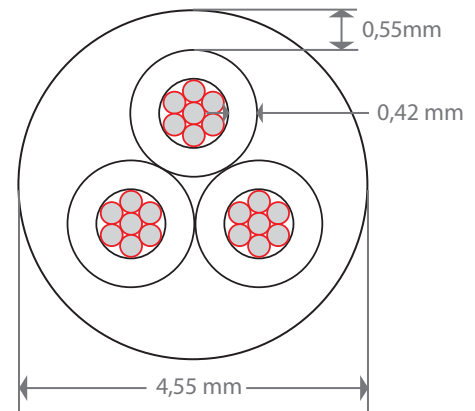
# UF06 - 3 Core

Type UF06 cable is generally used as feeder to outside post lamps, pumps, and other loads or apparatus fed from a distribution point in an existing building.

**Part Number** 32065530

## CONSTRUCTION

<b>Conductor</b>	Bare copper
<b>Conductor Size</b>	0,25±0,008×7
<b>Insulation</b>	FR-PVC
<b>Insulation Colours</b>	Brown, Blue, Black
<b>Insulation Thickness</b>	0,42 mm
<b>Filler</b>	Chalk
<b>Jacket Material</b>	FR-PVC
<b>Jacket Colour</b>	Black
<b>Jacket Avg. Thickness</b>	0,55 mm
<b>Print Legend</b>	ASCENT E477982 UL TYPE PLTC 3C/22 AWG 300V 105°C WW/YY



## ELECTRICAL CHARACTERISTICS

<b>Operating Temperature (°C)</b>	105° C
<b>Operating Voltage</b>	300V
<b>Max. Resistance per Conductor @ 20°C</b>	<54,2 Ω/km
<b>Min. Insulation DC Resistance @ 20°C</b>	>200 MΩ/km

**Application:** Building Wire, underground feeder

*All trademarks are property of their respective owners. All specifications are subject to change.*

**Bristol** | Unit 61, Gazelle Rd., Weston Industrial Estate, Weston-super-Mare, North Somerset BS24 9ES UK

**Frankfurt** | Rudolf-Braas-Strasse 2, D-61381 Friedrichsdor

**Milwaukee** | 5001 South Towne Dr. New Berlin, WI 53151 USA

**Suzhou** | B2-2 Weiting Town Industrial - Workshop A, No. 9 Weixin Rd., Suzhou Industrial Park. Jiangsu, China 215122

Date	Rev	Description	By
2018/07/09	0	Spec created	JJM