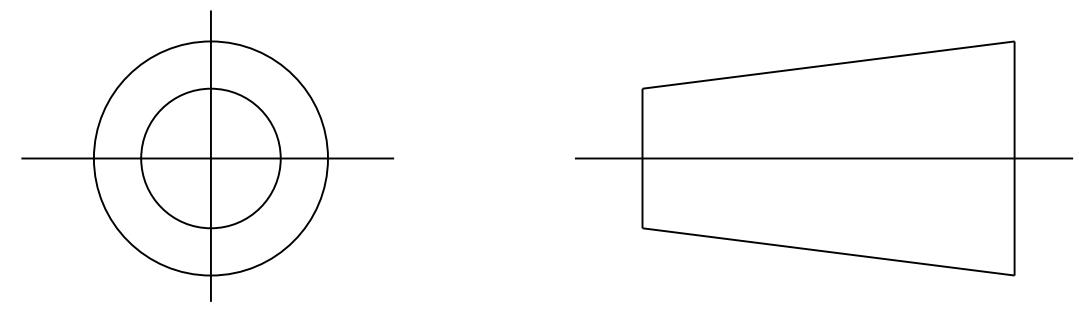


DRAWING No.
152167

SHT. 1
OF
1 SHTS.

© THE COPYRIGHT OF THIS DRAWING IS RESERVED BY HELLERMANN TYTON. IT IS ISSUED ON CONDITION THAT IT IS NOT COPIED, REPRODUCED OR DISCLOSED TO A THIRD PARTY EITHER WHOLLY OR IN PART WITHOUT THE CONSENT IN WRITING OF HELLERMANN TYTON.

THIRD ANGLE PROJECTION



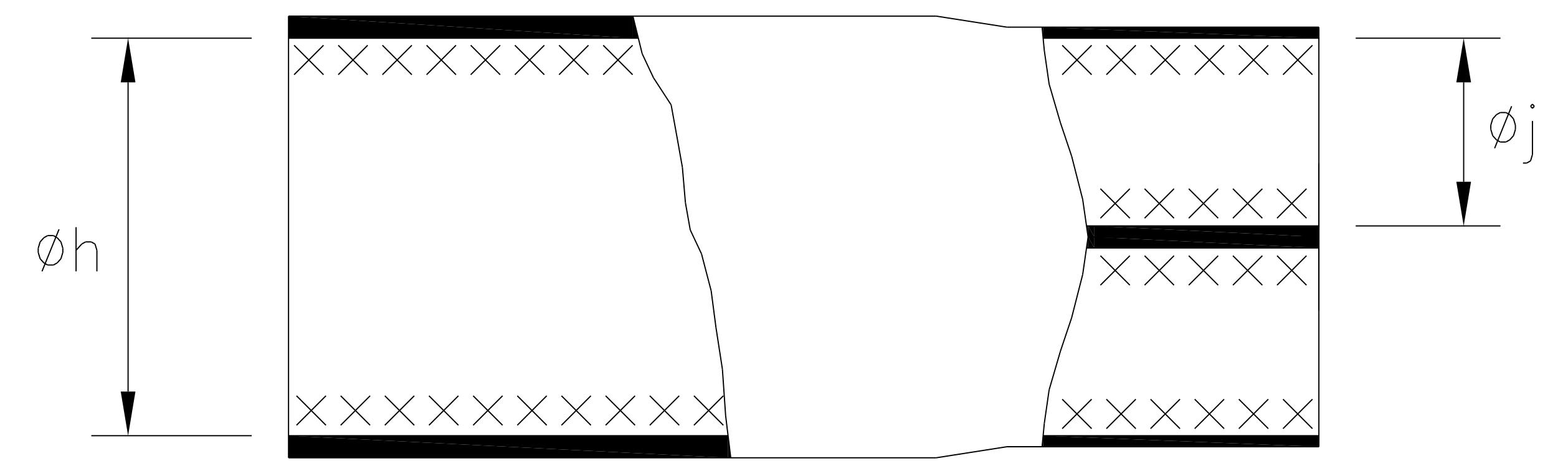
BS 8888

DO NOT SCALE
IF IN DOUBT ASK

Q.A.	H/S SETT
H/S Q.A.	REL. INSP.
H/S PROD	EXT. ISS. CODE
5/8/7	

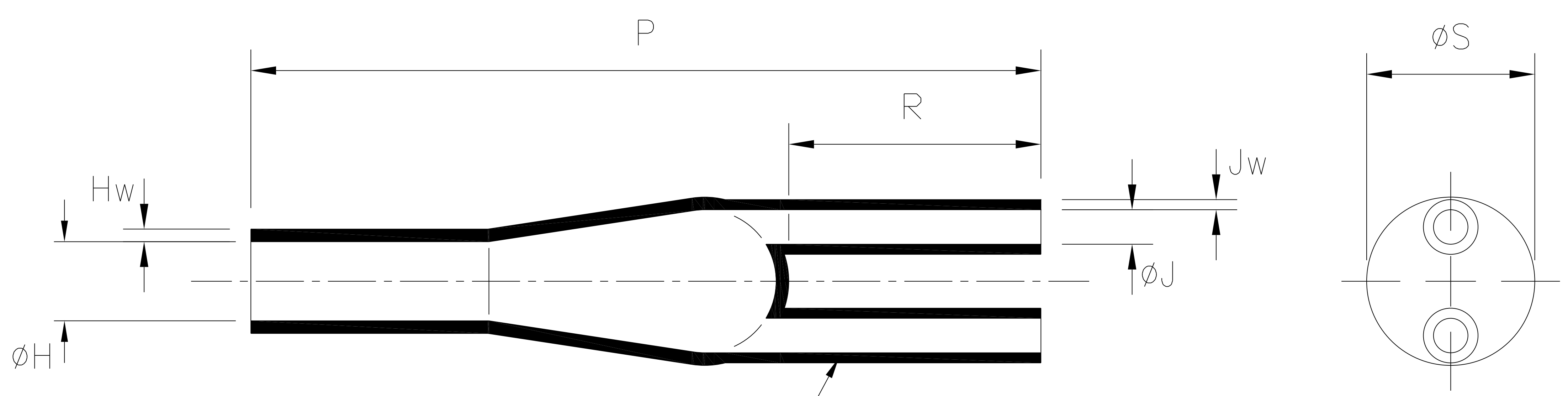
STANDARD PART (AFTER UNRESTRICTED RECOVERY)

EXPANDED (AS SUPPLIED)



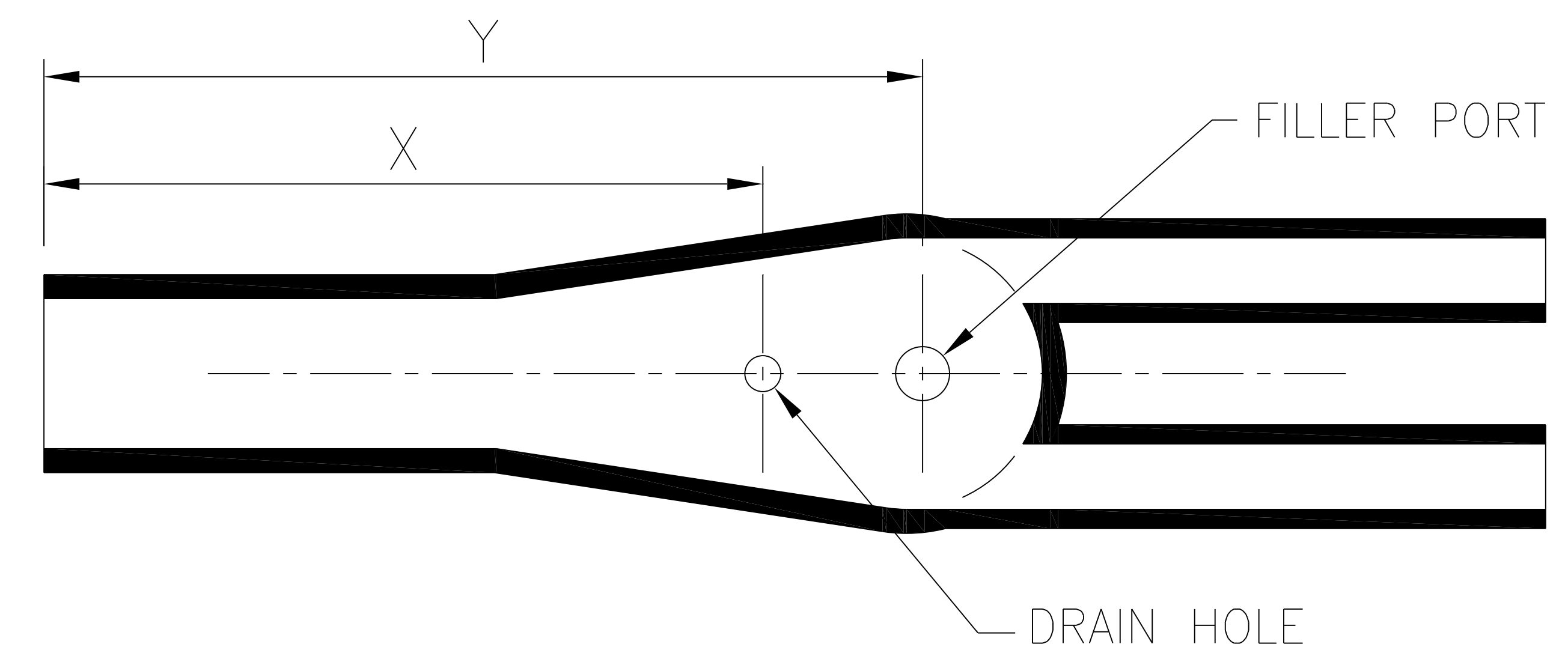
HOT MELT ADHESIVE APPLICATION DETAILS

ADHESIVE REFERENCES:
W - ALL INTERNAL SURFACES COATED
W1 - PARALLEL INTERNAL SURFACES COATED ONLY



TWO SHADED AREAS INDICATE
Hw AND Jw WALLS

OPTIONS TO STANDARD PART
FILLER PORT/DRAIN HOLE CODE P



PART No.	EXPANDED DIAMETERS (AS SUPPLIED)		RECOVERED DIAMETERS		RECOVERED DIMENSIONS				
	phi_h	phi_j	phi_H	phi_J	P	R	S	Hw	Jw
	MIN	MIN	MAX	MAX	±10%	±10%	NOM	±20%	±30%
223-2	33.0 (1.30)	17.5 (0.69)	9.4 (0.37)	4.1 (0.16)	94.0 (3.70)	30.0 (1.18)	20.0 (0.79)	1.5 (0.06)	1.2 (0.05)
223-3	33.0 (1.30)	17.5 (0.69)	9.4 (0.37)	4.1 (0.16)	60.0 (2.36)	30.0 (1.18)	20.0 (0.79)	1.5 (0.06)	1.2 (0.05)

OPTIONAL FILLER PORT/DRAIN HOLES DETAIL			
SPEC.	PART NO.	RECOVERED DIMENSION	
		X	Y
-	223-2	45.0 (1.77)	55.0 (2.16)
-	223-3	45.0 (1.77)	55.0 (2.16)

CODE & TYPE	RECOVERED HOLE DETAILS
P FILLER PORT/ DRAIN HOLE	FILLER PORT = phi 4.5mm NOM (.18) DRAIN HOLE = phi 3.0mm NOM (.12)

5	P1550	KH	17/11/16
4	P1481	CB	03/10/14
3	P1392	G.B.	21/08/12
2	P1256	L.F.	09/02/09
1	P1236	G.B.	16/09/08
ISSUE	NOTE No.	DRAWN	DATE

HellermannTyton
William Prance Road,
Plymouth International Med. & Tech. Park,
Plymouth, PL6 5WR
Tel ++44 (0) 1752 701261
Fax ++44 (0) 1752 790058

NAME	G.BASER	SCALE	NTS	ADHESIVE	A3 ORIGINAL SHEET SIZE 420mm x 297mm	SHT. 1 OF 1 SHTS.
DATE	16/09/08	DIMS IN	mm (in)			
TITLE	2 WAY OUT SLEEVE		PART No.	223	DRAWING No. 152167	