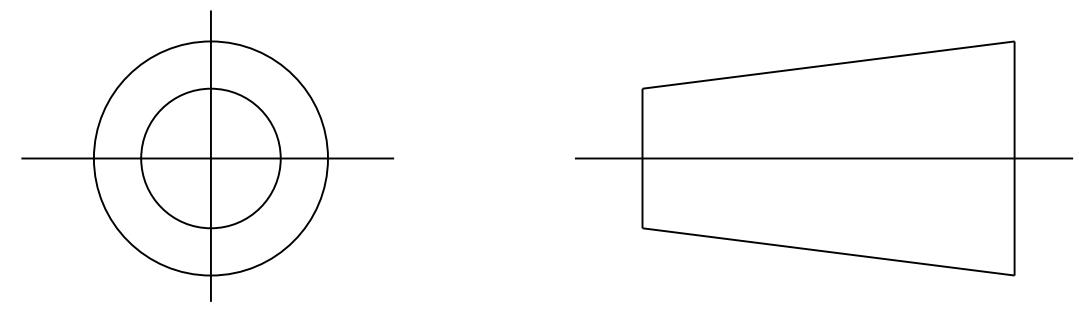


DRAWING No.  
152345

SHT. 1  
OF  
1 SHTS.

© THE COPYRIGHT OF THIS DRAWING IS RESERVED BY HELLERMANN TYTON. IT IS ISSUED ON CONDITION THAT IT IS NOT COPIED, REPRODUCED OR DISCLOSED TO A THIRD PARTY EITHER WHOLLY OR IN PART WITHOUT THE CONSENT IN WRITING OF HELLERMANN TYTON.

THIRD ANGLE PROJECTION

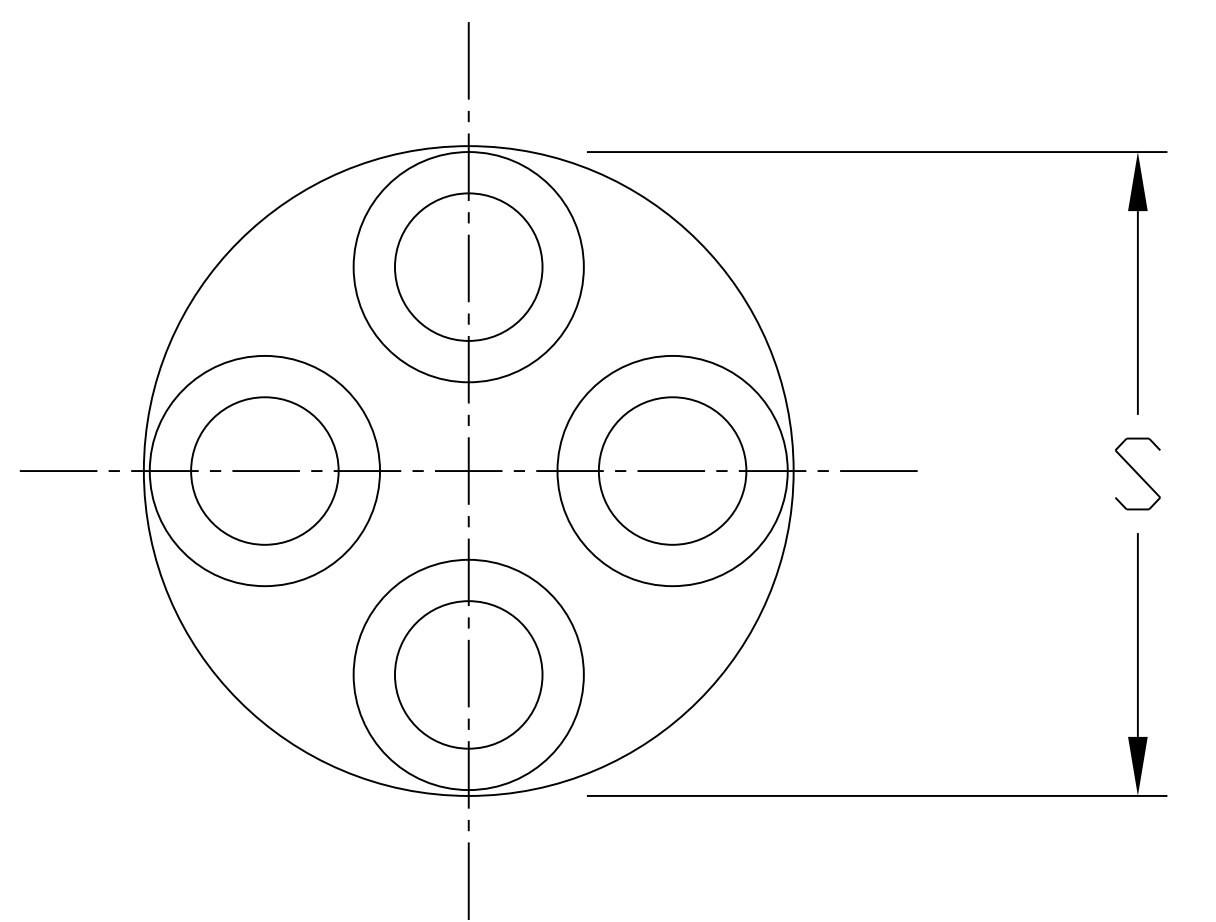
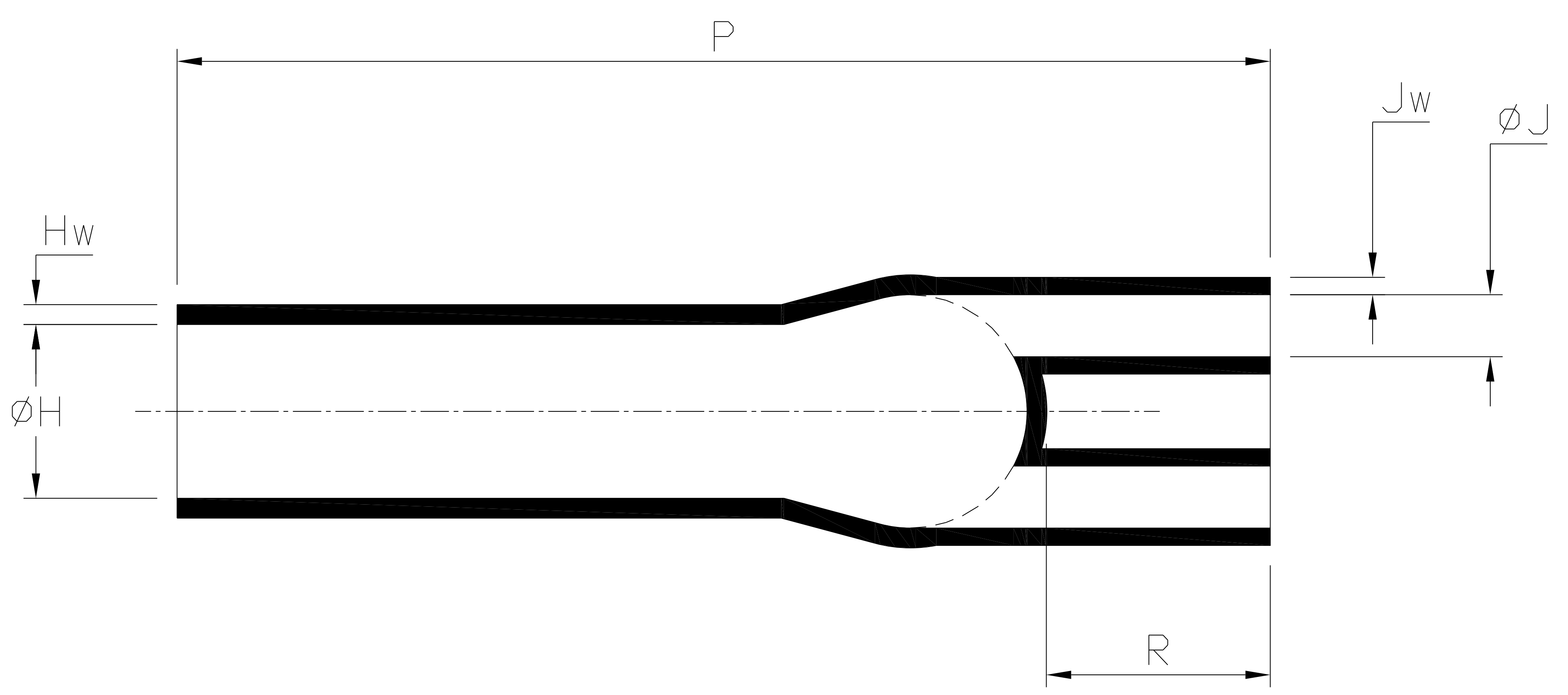


BS 8888

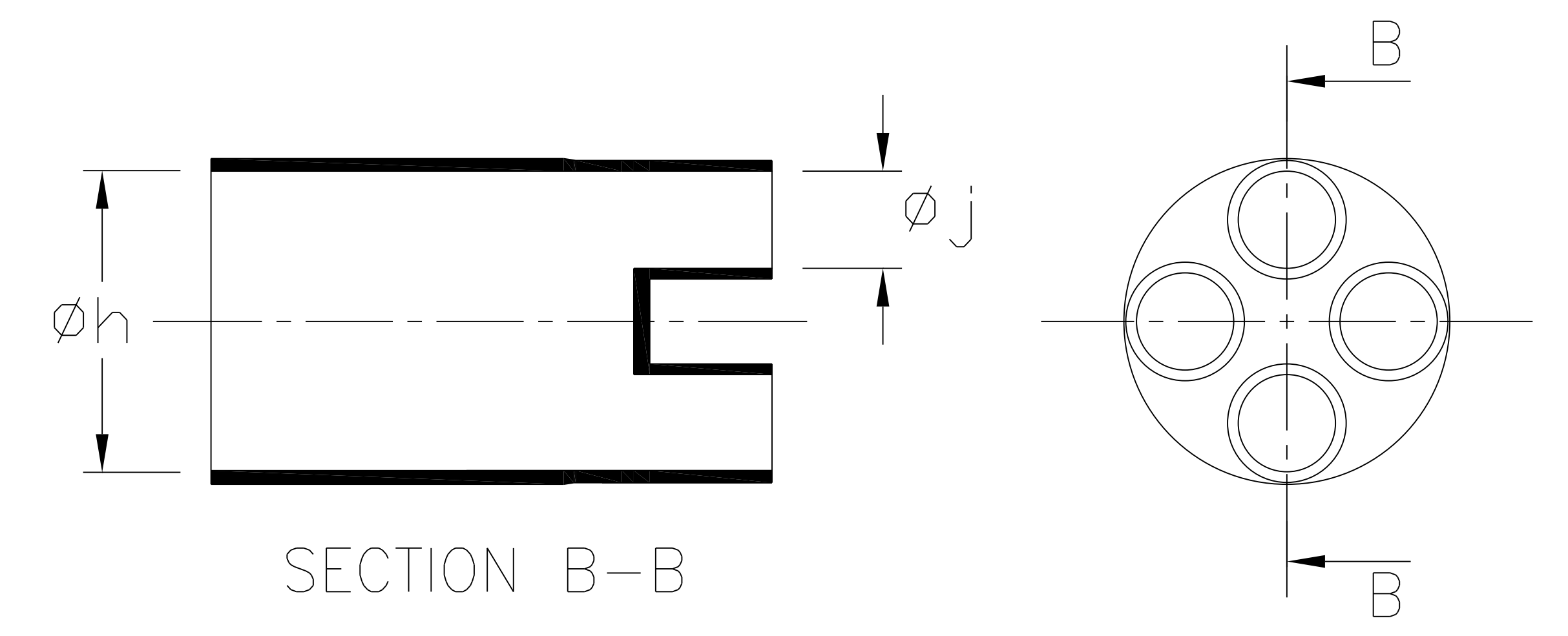
DO NOT SCALE  
IF IN DOUBT ASK

Q.A.	H/S SETT
H/S Q.A.	REL. INSP.
H/S PROD	EXT. ISS. CODE 2/12

STANDARD PART (AFTER UNRESTRICTED RECOVERY)



EXPANDED (AS SUPPLIED) 438-2



3M	NAVSEA PART	PART No.	EXPANDED DIAMETERS (AS SUPPLIED)		RECOVERED DIAMETERS		RECOVERED DIMENSIONS					
			Øh	Øj	ØH	ØJ	P	R	S	Hw	Jw	
			MIN	MIN	MAX	MAX	±10%	NOM	NOM	±20%	±20%	
HDBB-425	1A62-16	438-2	68.0 (2.68)	31.0 (1.22)	35.56 (1.40)	13.46 (0.53)	141.5 (5.57)	34.0 (1.34)	-	-	4.45 (0.18)	4.45 (0.18)

**HellermannTyton**

William Prance Road,  
Plymouth International Med. & Tech. Park,  
Plymouth, PL6 5WR  
Tel ++44 (0) 1752 701261  
Fax ++44 (0) 1752 790058

NAME	KH	SCALE	NTS	ADHESIVE	A3 ORIGINAL SHEET SIZE 420mm x 297mm	SHT. 1 OF 1 SHTS.
DATE	11/12/17	DIMS IN	mm (in)			
TITLE	4-WAY OUTLET SLEEVE			PART No.	DRAWING No.	
ISSUE	NOTE No.	DRAWN	DATE	438	152345	