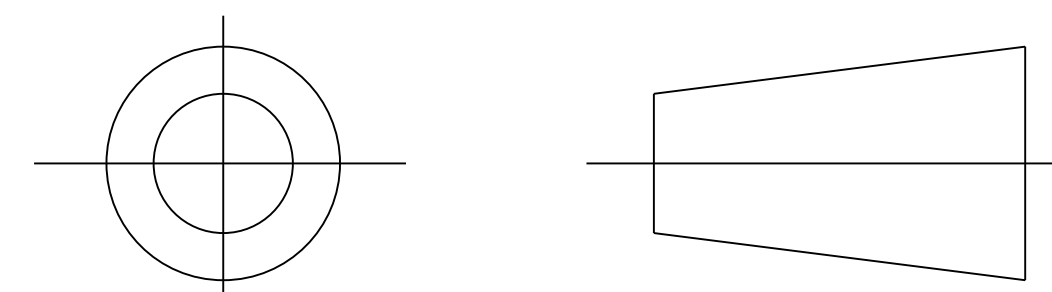


DRAWING No.
PSK-0554

SHT. 1
OF
1 OF
SHTS.

© THE COPYRIGHT OF THIS DRAWING IS RESERVED BY HELLERMANN TYTON. IT IS ISSUED ON CONDITION THAT IT IS NOT COPIED, REPRODUCED OR DISCLOSED TO A THIRD PARTY EITHER WHOLLY OR IN PART WITHOUT THE CONSENT IN WRITING OF HELLERMANN TYTON.

THIRD ANGLE PROJECTION

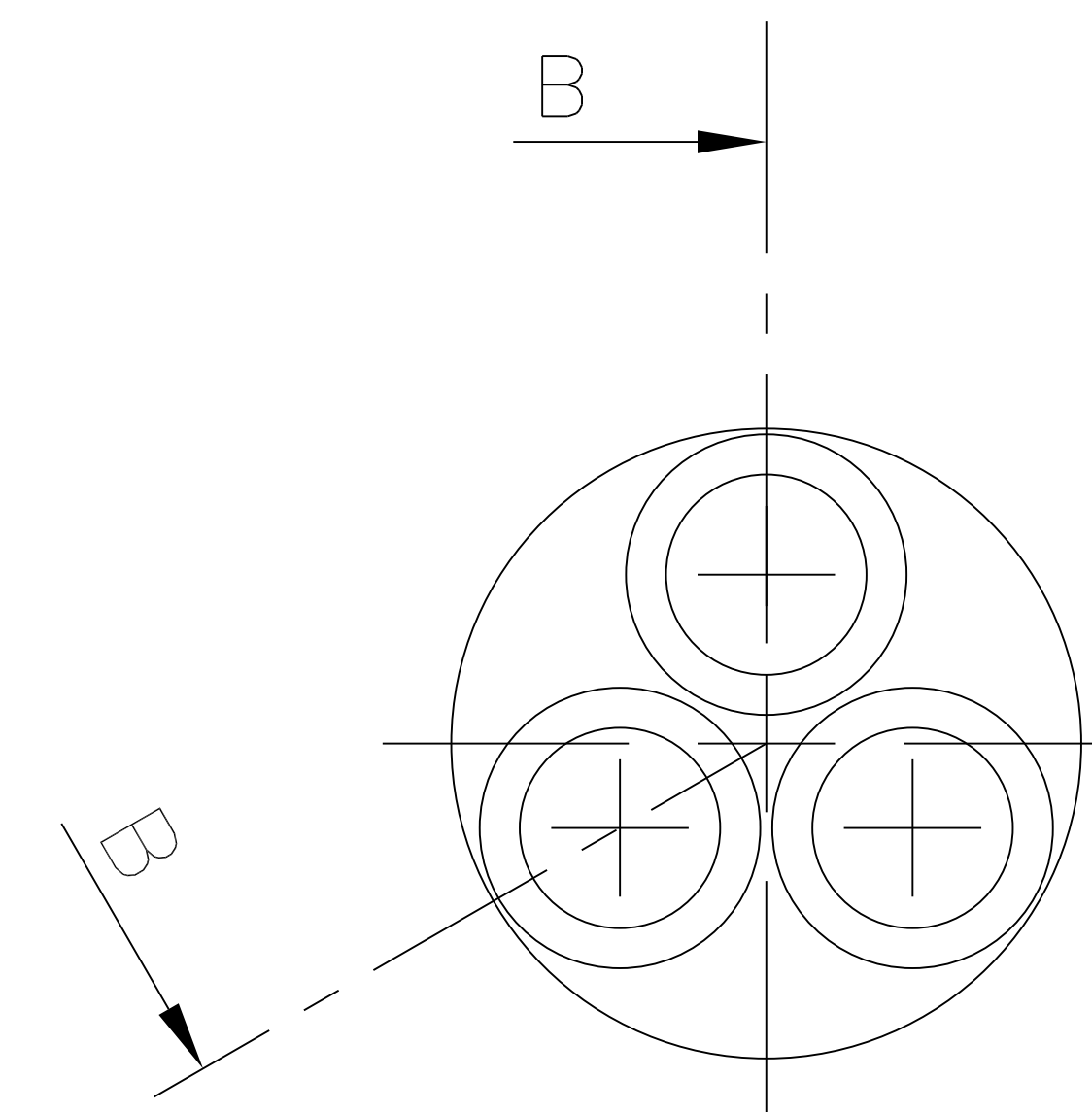
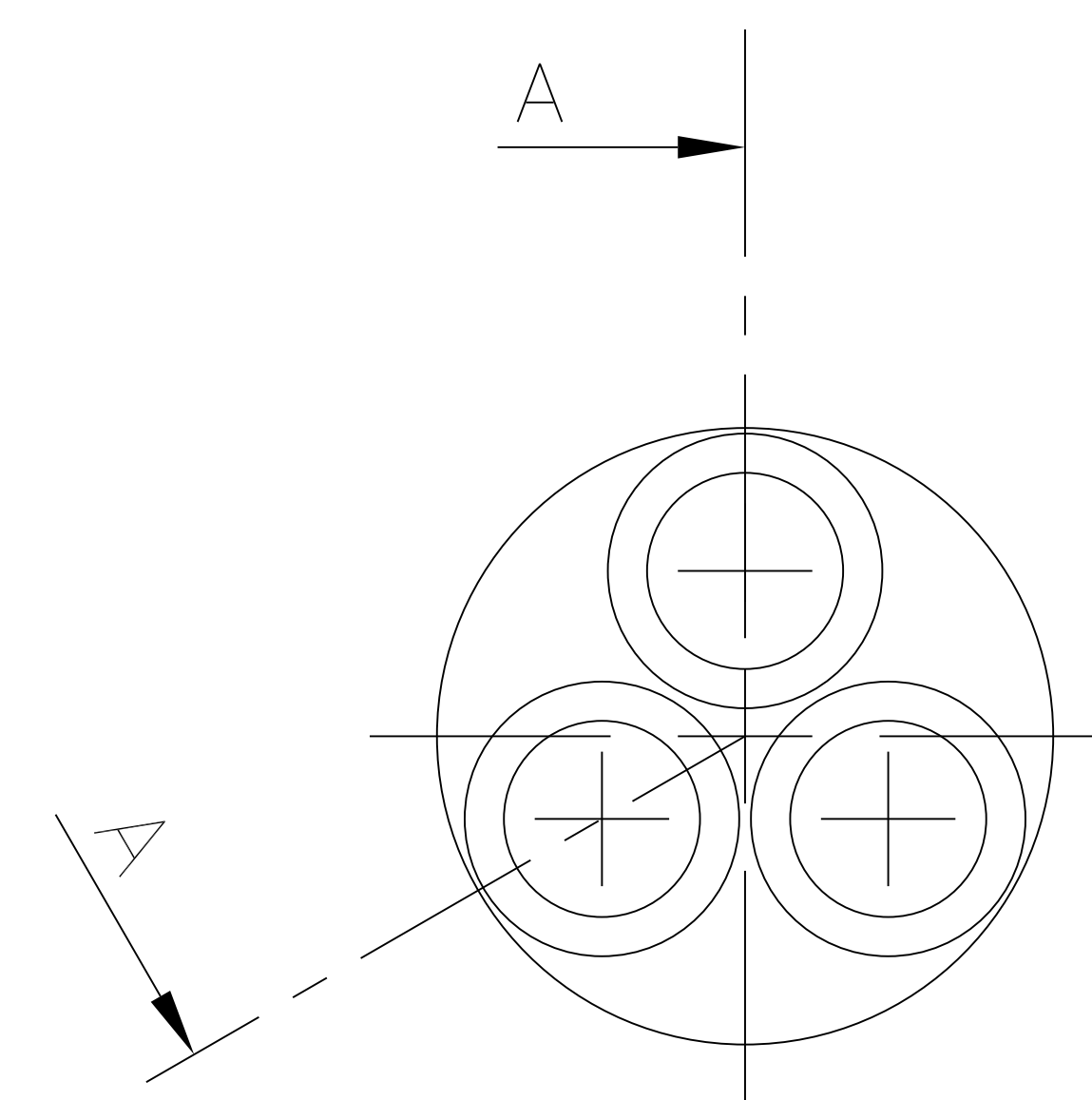
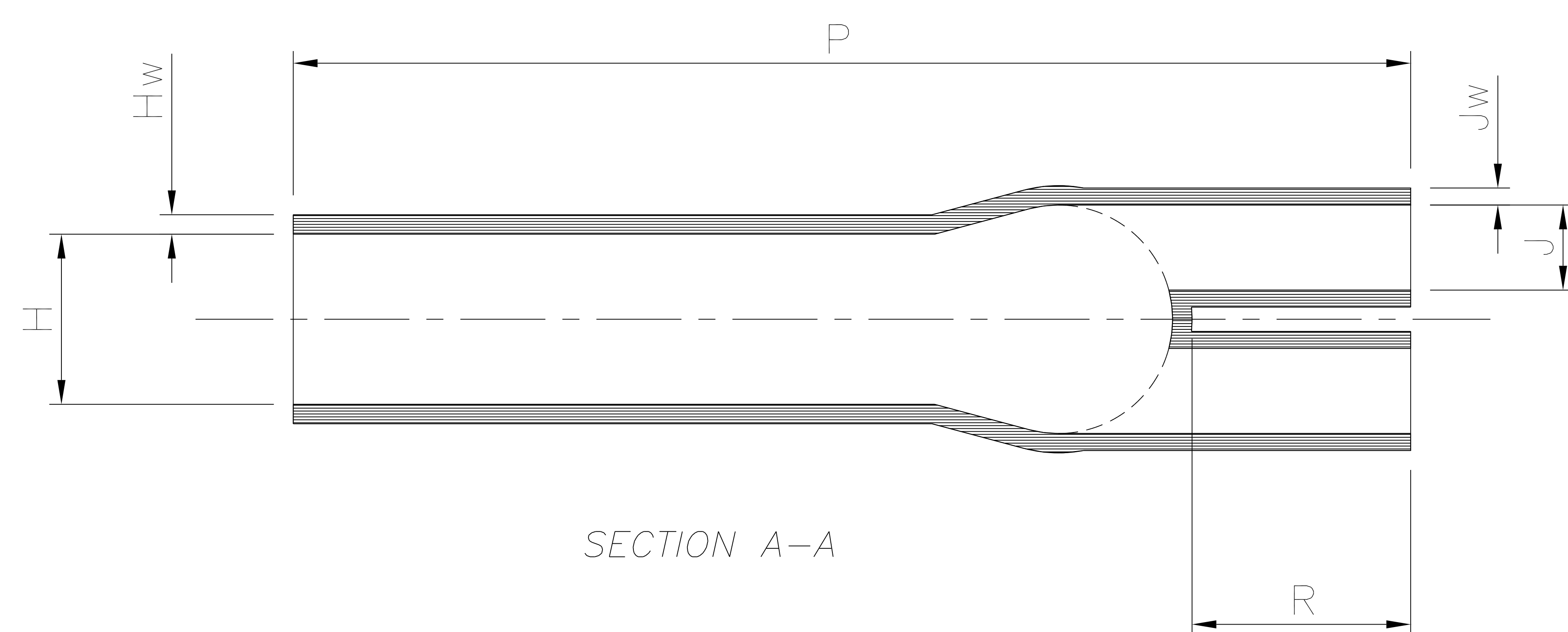


BS 8888

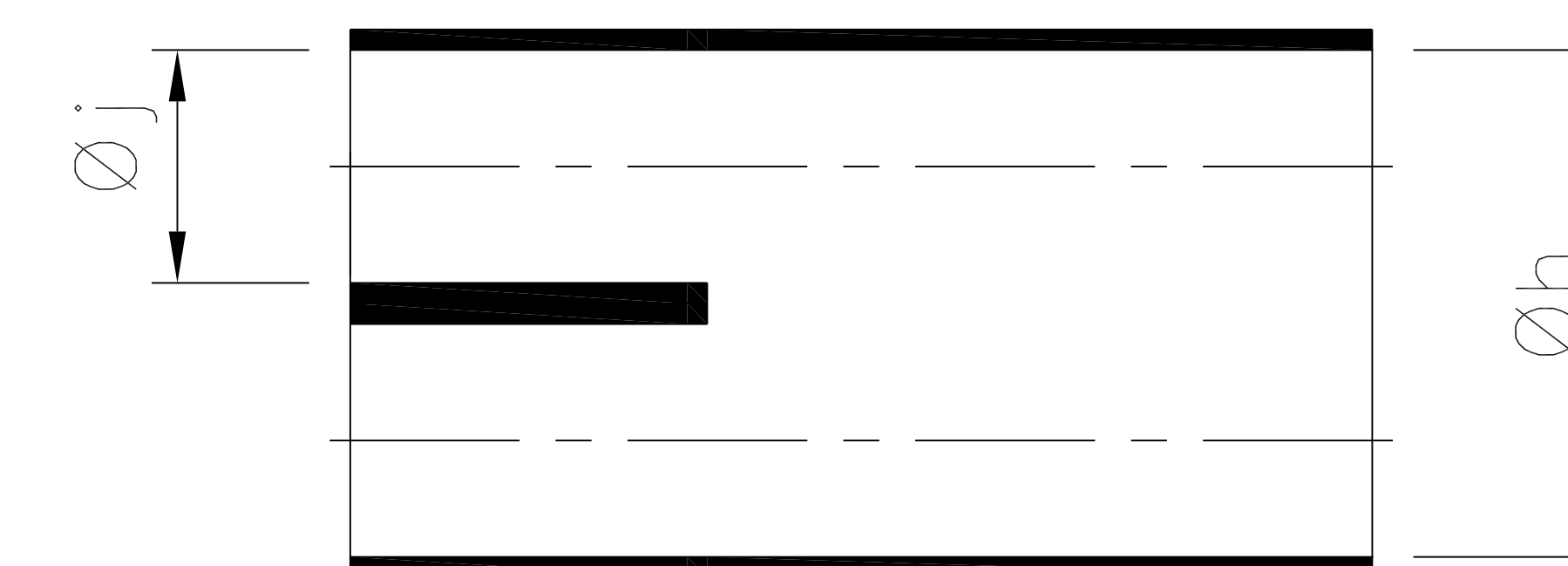
DO NOT SCALE
IF IN DOUBT ASK

Q.A.	H/S SETT
H/S Q.A.	REL. INSP.
H/S PROD	EXT.ISS.CODE

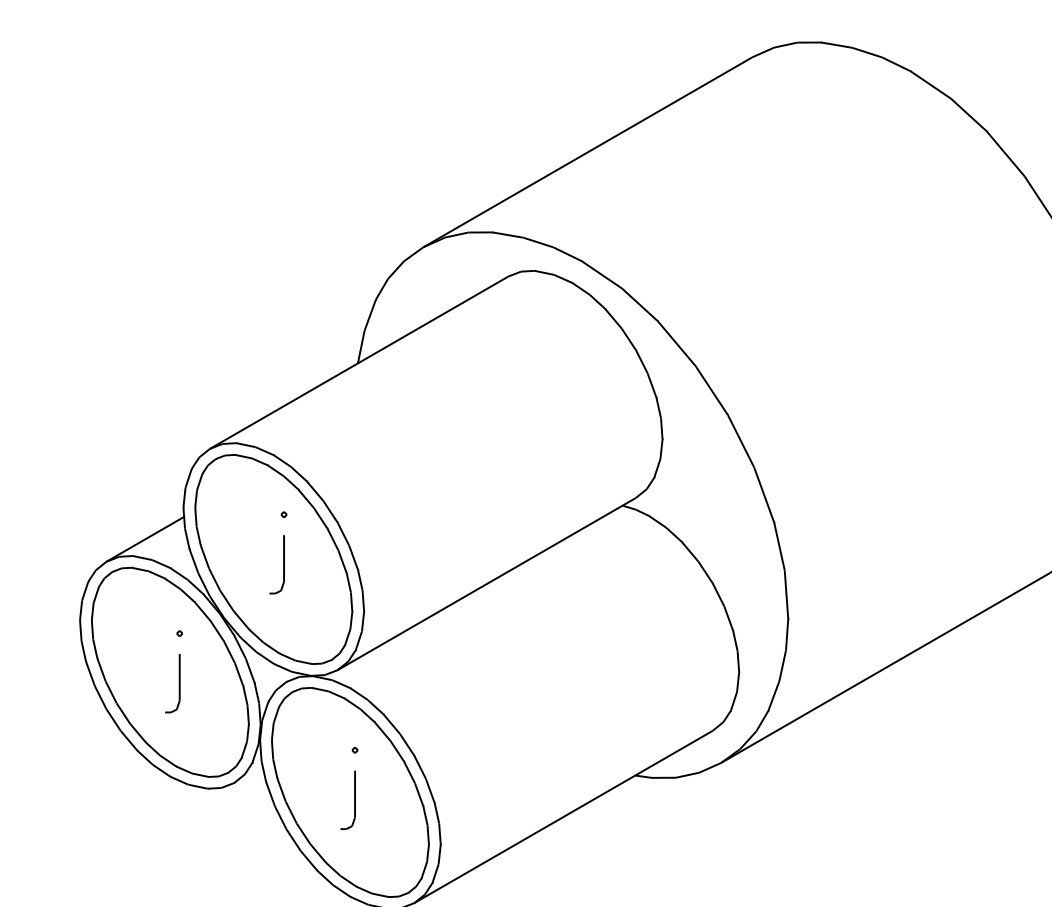
STANDARD PART (AFTER UNRESTRICTED RECOVERY)



EXPANDED (AS SUPPLIED)



SECTION B-B



PART NO.	EXPANDED DIMENSIONS (AS SUPPLIED)		RECOVERED DIAMETERS		RECOVERED DIMENSIONS			
	øh	øj	øH	øJ	P	R	Hw	Jw
	MIN	MIN	MAX	MAX	±10%	±10%	±20%	±20%
328-3	71.0 (2.76)	33.0 (1.30)	22.86 (0.90)	7.62 (0.30)	99.0 (3.90)	34.0 (1.34)	3.81 (0.15)	3.81 (0.15)

HellermannTyton

William Prance Road,
Plymouth International Med. & Tech. Park,
Plymouth, PL6 5WR
Tel ++44 (0) 1752 701261
Fax ++44 (0) 1752 790058

NAME	CM	SCALE	NTS
DATE	29/06/2018	DIMS IN	mm.
TITLE	3 WAY OUTLET SLEEVE		

ADHESIVE	A3	SHT. 1
	ORIGINAL SHEET SIZE 420mm x 297mm	OF
		1 SHTS.
PART No.	328	DRAWING No.
		PSK-0554

1	INIT ISS	CM	29-06-18
ISSUE	NOTE No.	DRAWN	DATE