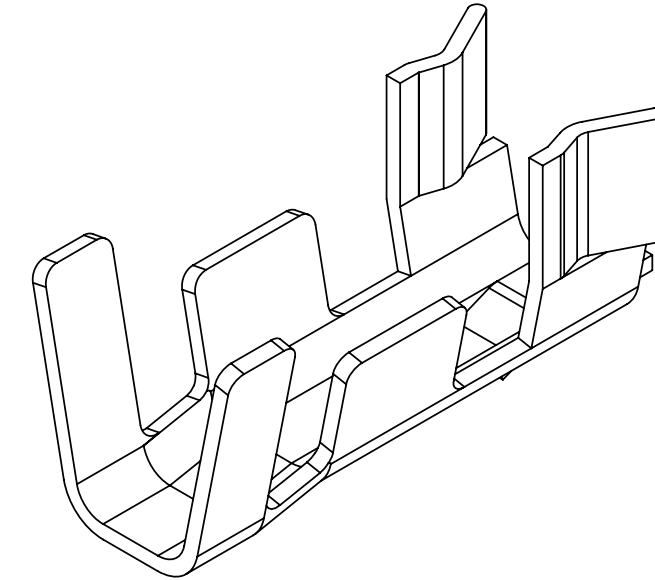
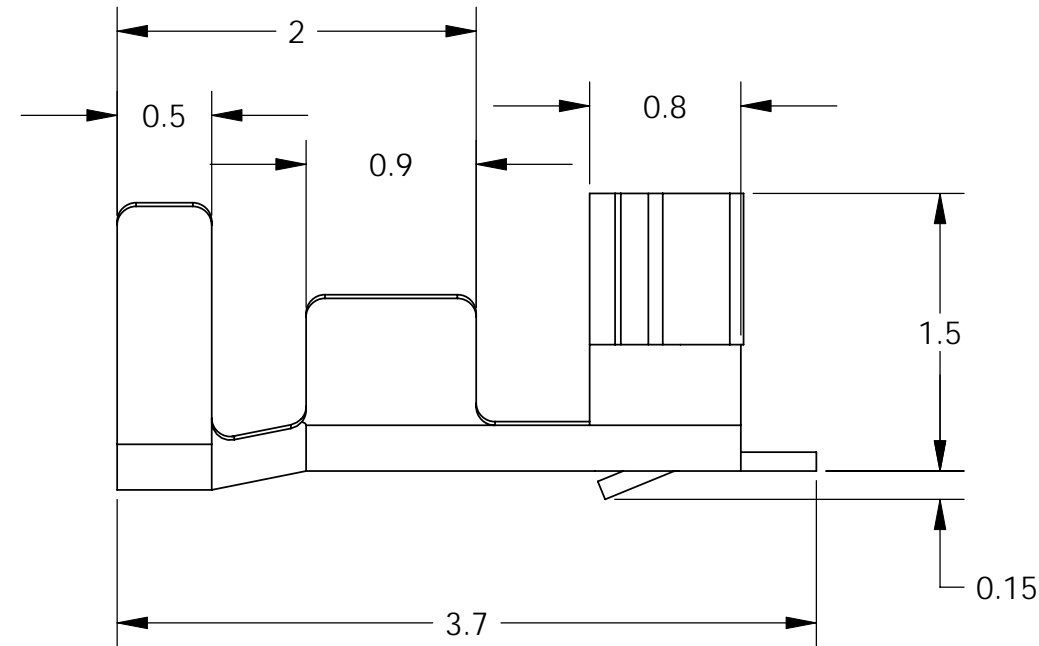


16-429

REVISIONS			
REV.	DESCRIPTION	DATE	ECO NO.
-	RELEASE FOR PRODUCTION	7/20/2007	25496



SUPPLIER: HIROSE  
PART NO.: DF13-2630SCFA

NOTE:

- DIMENSIONS SHOWN ARE FOR REFERENCE ONLY.  
REAL  
GOLD PLATED  
CURRENT RATING AMP 1AMP  
FOR WIRE SIZE 26-30 AWG

MATERIAL	NOTED	<p>THE FOLLOWING ITEMS APPLY UNLESS OTHERWISE SPECIFIED: FOR FEATURES OF SIZE, PERFECT STRAIGHTNESS NOT REQUIRED AT MMC. FOR DIAMETRAL FEATURES, ROUNDNESS MUST BE WITHIN THE MMC AND LMC BOUNDARY. TRUE POSITION TOLERANCE AND RELATED DATUMS (EXCEPT PLANE SURFACES), APPLY AT MMC. OTHER GEOMETRIC TOLERANCES, AND RELATED DATUMS, APPLY RFS. SEPARATELY, REGARDLESS OF DATUM</p> <p><b>GEOMETRIC DRAWING SYMBOLS</b></p> <p>  FLAT     RUNOUT     ROUND     ANGULAR   STRAIGHT     TRUE POSITION     CYLINDRICAL     CONCENTRIC   SQUARE     PARALLEL     SYMMETRICAL     DIAMETER   PROFILE OF A SURFACE     PROFILE OF A LINE   MAXIMUM MATERIAL CONDITION (MMC)     PROJECTED TOLERANCE ZONE         </p>	<p>ALL SIGNATURES REQUIRED FOR APPROVAL AND ORIGINAL DRAWING MASTERS ARE CONTROLLED ELECTRONICALLY.</p>		<b>Haydon Switch and Instrument, Inc.</b> <b>Waterbury, Connecticut 06705 U.S.A</b>	
HEAT TREAT SPEC.			<p>DRAWN BY JRC 07/20/07</p>	<p>TITLE</p> <p style="text-align: center;"><b>CONTACT</b></p>		
FINISH			<p>ENGINEER: DATE: APPROVAL: DATE: APPROVAL: DATE:</p> <p style="text-align: center;"></p> <p>THIRD ANGLE PROJECTION</p>			<p>CODE IDENT. NO.</p> <p style="text-align: center;"><b>02005</b></p>
<p><u>NOTICE TO ALL PERSONS RECEIVING THIS DRAWING</u></p> <p>THIS DRAWING IS ONLY CONDITIONALLY ISSUED, AND FOR THE SOLE PURPOSE OF INFORMING LICENSEE AND ASSOCIATE CONTRACTORS OF HAYDON SWITCH &amp; INSTRUMENTS, INC. AND VENDORS THERETO AND CUSTOMERS THEREOF. RECEIPT OR POSSESSION THEREOF DOES NOT CONFER TO TRANSFER ANY RIGHTS IN THE SUBJECT MATTER OF THE DRAWING. THE DESIGN, CONSTRUCTION, TECHNICAL INFORMATION AND ALL OTHER SUBJECT MATTER SHOWN ON THIS DRAWING ARE AND REMAIN, EXCEPT AS MAY BE OTHERWISE INDICATED BY WRITTEN NOTICE HEREON, THE EXCLUSIVE PROPERTY OF SAID CORPORATION. THIS DRAWING MAY BE REPRODUCED ONLY BY LICENSEE AND ASSOCIATE CONTRACTORS OF SAID CORPORATION AND ONLY FOR LICENSED MANUFACTURE AND BY VENDORS MANUFACTURING FOR SAID CORPORATION, ITS LICENSEE OR ASSOCIATE CONTRACTORS.</p>		<p><u>DIMENSIONS ARE IN MILLIMETERS UNLESS OTHERWISE SPECIFIED</u></p> <p> <u>DECIMALS: X:</u> ±0.38  <u>DECIMALS X.X:</u> ±0.25  <u>DECIMALS X.XX:</u> ±0.13  <u>ANGLES:</u> ±2°         </p>	<p>SCALE: NONE</p>		<p>SUBSEQUENT SHEETS USED FOR INTERNAL USE ONLY</p>	<p>SHEET 1 OF 1</p>