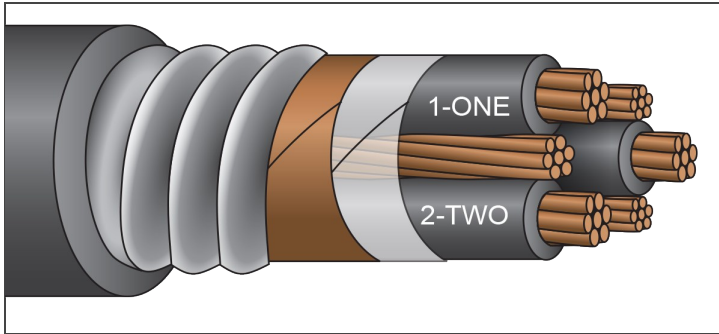


SERVICEDRIVE®



**VFD CABLE (JACKETED MC)
XHHW-2/PVC**

600 Volt Copper

**Patented for use with ServiceDrive® connector and termination kit.*



Description:

3 conductors, stranded, insulated with heat and moisture resistant crosslinked polyethylene (type XHHW-2), phase identified and cabled with suitable fillers and 3 symmetrical copper ground conductors. Cable core covered with binder tape, 5-mil helical copper tape shield and aluminum interlocked armor with overall PVC jacket. **Available in 1kV or 2kV and CPE or EnviroPlus® (LSZH) jacket.**
Available with galvanized steel interlocked armor, tinned conductors and 50% grounds*.

Application:

For use in ASD/VFD applications.

Suitable for use in hazardous locations: Class I - Div 2,
Class II - Div 2, Class III - Div 1 and 2

Standards:

UL 1569
ICEA S-95-658/NEMA WC-70
Flame Rated: IEEE 383 (70,000 BTU), ICEA T-29-520 (210,000 BTU),
IEEE 1202/CSA FT-4, Two-hour Firewall
Temperature Rated at 90°C Wet/Dry
Cold Temperature Rated at -25°C
Sunlight and Oil Resistant II
Jacket Direct Burial (includes encasement in concrete)
Color Code: Method 4
RoHS Compliant

Part Number	Size (AWG or Kcmil)	Strand (no.)	Insulation Thickness (mils)	Grounding Conductors (AWG)	Diameter over Armor (in.)	PVC Jacket Thickness (mils)	Approx. Diameter Overall (in.)	Approx. Net Weight (lb./1000')	Ampacity** (30°C ambient) 90°C Wet/Dry
VFDAP14/3	14†	7	45	3-#14	0.57	50	0.67	332	25
VFDAP12/3	12†	7	45	3-#14	0.63	50	0.73	389	30
VFDAP10/3	10†	7	45	3-#14	0.67	50	0.77	449	40
VFDAP8/3	8†	7	45	3-#14	0.73	50	0.83	545	55
VFDAP6/3	6	7	45	3-#12	0.81	50	0.91	710	75
VFDAP4/3	4	7	45	3-#10	0.91	50	1.01	957	95
VFDAP3/3	3	7	45	3-#10	0.97	50	1.07	1,096	115
VFDAP2/3	2	7	45	3-#10	1.03	50	1.13	1,265	130
VFDAP1/3	1	19	55	3-#10	1.15	50	1.25	1,514	145
VFDAP1/03	1/0	19	55	3-#10	1.31	50	1.41	1,901	170
VFDAP2/03	2/0	19	55	3-#10	1.41	50	1.51	2,237	195
VFDAP3/03	3/0	19	55	3-#8	1.51	60	1.63	2,732	225
VFDAP4/03	4/0	19	55	3-#8	1.63	60	1.75	3,244	260
VFDAP250/3	250	37	65	3-#8	1.75	60	1.87	3,793	290
VFDAP350/3	350	37	65	3-#6	1.97	60	2.09	5,028	350
VFDAP500/3	500	37	65	3-#6	2.25	60	2.37	6,712	430
VFDAP600/3	600	61	80	3-#6	2.45	75	2.60	7,981	475
VFDAP750/3	750	61	80	3-#4	2.69	75	2.84	9,775	535
VFDAP1000/3	1000	61	80	3-#2	3.13	85	3.30	12,243	615

†UL Listed Only

**Per NEC Table 310.15 (B)(16). NOTE: The data shown is approximate and subject to standard industry tolerances.