

4 Conductor Composite Shielded Cable

Kyle Kison
10/26/2018

Revisions			
Rev.	Description	Date	Edit By
B	Added Overall Mylar Binder	9/28/18	RL

Component I - 20 AWG Twisted Pair

Conductor: 20 Awg (7/28) Tinned Plated Copper
 Insulation: .010" Nominal Wall TPV
 Primary O.D.: .058" +/- .002"
 Color Code: Yellow, Green
 Pair Shield: 36 AWG TC Braid, 85% Coverage

Component II - 20 AWG Singles

Conductor: 20 Awg (7/28) Tinned Plated Copper
 Insulation: .010" Nominal Wall TPV
 Primary O.D.: .058" +/- .002"
 Color Code: Black, Red

Binder: Mylar Tape, 25% Overlap

Outer Shield: 36 AWG TC Braid, 85% Min. Coverage

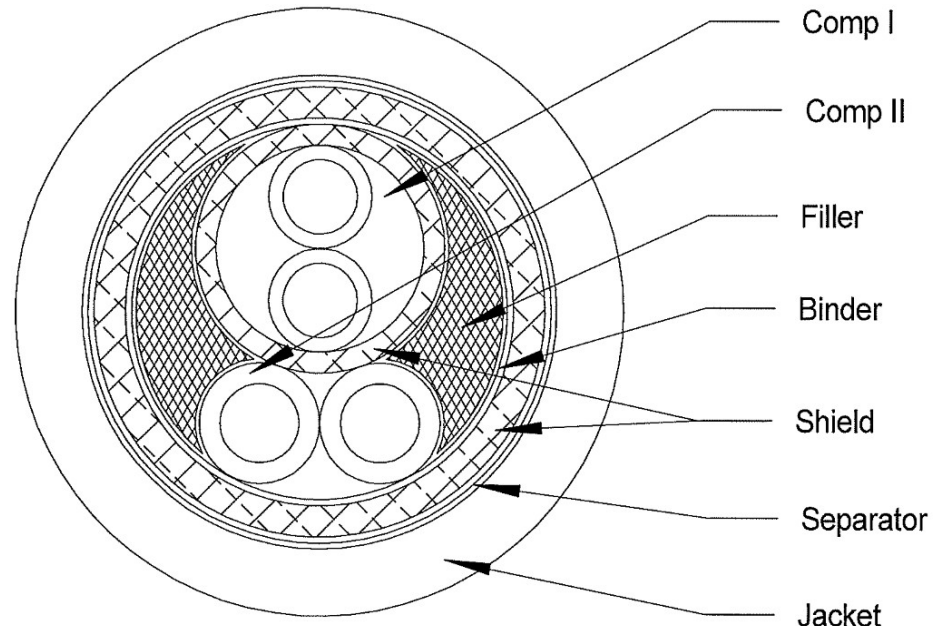
Separator: Non Woven Tissue Tape, 15% Overlap

Jacket: .035" Nominal Wall Polyurethane - Black
 Finished O.D.: .285" Nominal

Printed: None 4 COND SHIELDED IQ180318

RoHS Complaint

Temperature Ratings: Static -50°C to + 80°C



MARSH
Electronics, Inc.

Drawing #: IQ180318	Rev. B
------------------------	-----------

