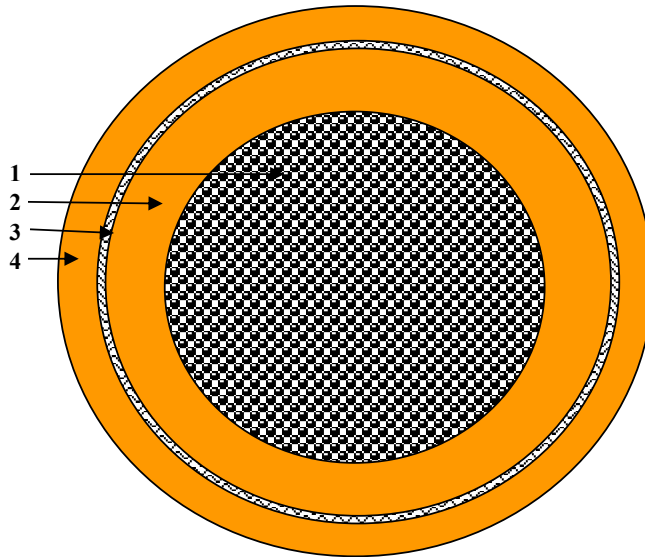


REV.	DESCRIPTION	DATE
0	Initial release.	9/26/2014

General Properties High Voltage 2/0 EXTRAD HVFX/XLE Shielded Cable

Application Hybrid or Electric Powered Vehicles

General Composition of Cable See Below



Color Code

Inner Orange
Outer Jacket Orange

Physical Data	Description	Dimensions (Nom.)	
		inches	mm
1. Conductor:	2/0 1254/30 bare copper	0.438	11.13
2. Insulation:	EXRAD HVFX wall thickness: 60 mil	0.558	14.17
3. Shield	34 AWG tinned copper braid 95% minimum coverage	0.586	14.88
4. Jacket	EXRAD XLE wall thickness: 40 mil	0.666	16.92
		Outside diameter tolerance	+/- 0.015 +/- 0.38mm

Print Legend: EXTRAD HVFX/XLE 2/0 AWG Shielded Cable XXXXX xxxxx-lot code

Electrical Data

Conductor Resistance:: 0.082 ohms/kft 0.269 ohms/km @20° C nominal

Voltage Rating 1000 volts max, per SAE 1654, Tested to UL 758 Section 28

General Data Use: High Voltage Power Cables for Electric or Hybrid Vehicles

Temperature Range: -55° C to +150° C per ISO 6722 3000 Hours

Primary Insulation Meets Requirements of ISO 6722 Class D 150°C

Jacket Insulation Meets Requirements of ISO 6722 Class D 150°C

Weight 561 pounds/kft

Bend Radius: inches mm
2.7 68



TITLE
2/0 BC EXTRAD HVFX/XLE Shielded Cable

UNLESS OTHERWISE SPECIFIED,
DIMENSIONS AND TOLERANCES
ARE IN INCHES

DO NOT SCALE THIS DRAWING

DRN.	Richard Antic	DATE	9/26/2014
CKD.		DATE	
SIZE	PART NUMBER	DOCUMENT NUMBER	
A	15-08093-XXX	14830	

The information on this drawing is the proprietary property of Champlain Cable Corporation, and may not be used, reproduced or disclosed to others, in whole or in part, without written authorization.