

DRAWING NO. PSK-0555

SHT. 1 OF 1 SHTS.

THE COPYRIGHT OF THIS DRAWING IS RESERVED BY HELLERMANN TYTON. IT IS ISSUED ON CONDITION THAT IT IS NOT COPIED, REPRODUCED OR DISCLOSED TO A THIRD PARTY EITHER WHOLLY OR IN PART WITHOUT THE CONSENT IN WRITING OF HELLERMANN TYTON.

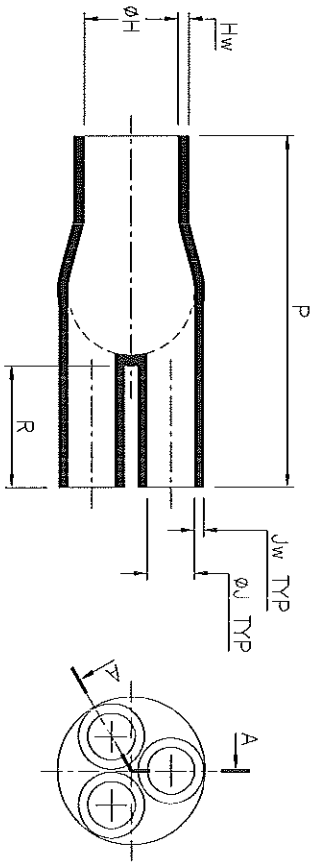
THIRD ANGLE PROJECTION

BS 8888

DD NOT SCALE IF IN DOUBT ASK

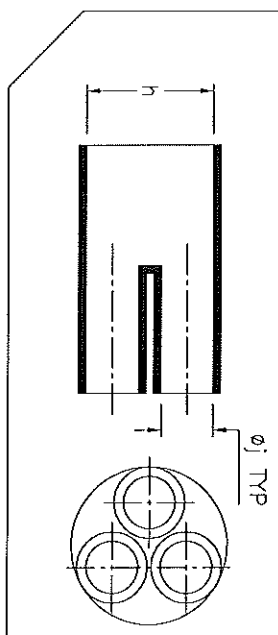
Q.A.	H/S SETT
H/S Q.A.	REL. INSP.
H/S PRD	EXT. SCOPE

STANDARD PART (AFTER UNRESTRICTED RECOVERY)



SECTION A-A

PART NO.	EXPANDED DIMENSIONS (AS SUPPLIED)				RECOVERED DIAMETERS		RECOVERED DIMENSIONS				
	h	phi	f	r	phi H	phi J	P	R	Hw	Jw	
318-5	23 (0.91)	9 (0.35)	-	-	9.1 (0.36)	3.0 (0.12)	48.3 (1.90)	±10%	20 (0.79)	±20%	2.5 (0.10)



EXPANDED (AS SUPPLIED)

*Part Approved as Shown
Winchester Interconnect
Product Engineer: Yasin Gundaloveli
Approved date 08/19/2018*

ISSUE	NOTE No.	DRAWN	DATE
1	INIT-ISS	CM	13/08/18

HellermannTyton
William Prance Road,
Plymouth International Med. & Tech. Park,
Plymouth, FL 6 SWR
Tel + +44 (0) 1752 701261
Fax + +44 (0) 1752 790058

NAME	CM	SCALE	NTS	ADHESIVE	A3	SHT. 1
DATE	13/08/18	DIMS IN	MM (in)	PART No.	ORIGINAL SHEET SIZE 420mm x 297mm	DF
TITLE	3 WAY OUTLET SLEEVE			318	DRAWING No.	1 SHTS

PSK-0555