

REV	DESCRIPTION	DATE	APPROVED
S0	CREATED DRAWING	2015/08/27	ZERA

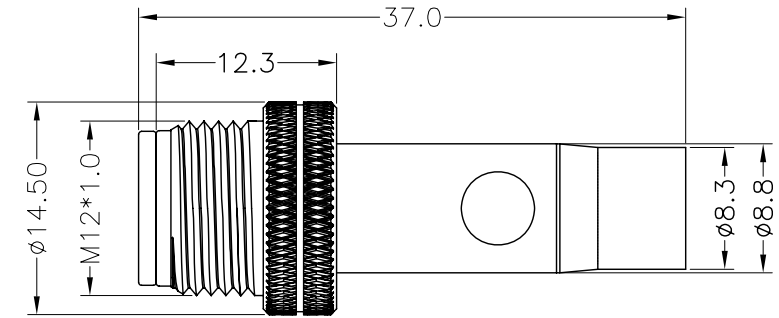
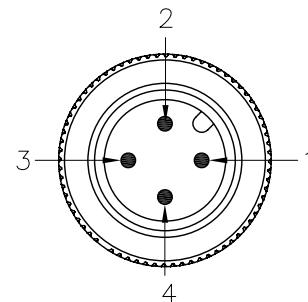
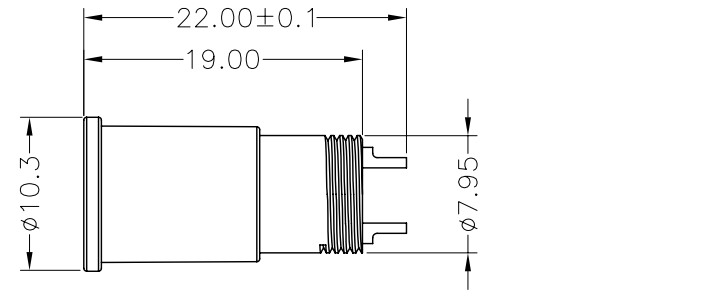
Detailed Product Description:

Waterproof connector rating is IP67/IP68
 Protected from dust and water during immersion,
 resistant to many oils and chemical etc

Other Specification

Contact PIN: Brass with Gold plating.
 Coupling nut/screw: Brass with nickel plating
 Insulation plastic: PA66+GF
 Degree of protection: IP67/IP68
 Operating temperature: -25°C ~ +85°C

*ALL MATERIALS ARE RoHS COMPLIANT.



CABLE OD:5.0~7.0mm

Electrical character

Part Number	Contacts	Rated voltage		Rated current	Contact Resistance
		A/C	D/C		
M12AM03002		250V	250V	4A	10mΩ
M12AM04002		250V	250V	4A	10mΩ
M12DM04001		250V	250V	4A	10mΩ
M12AM05002		60V	60V	4A	10mΩ
M12BM05002		60V	60V	4A	10mΩ
M12AM08002		30V	30V	2A	10mΩ
M12AM12002		30V	30V	1.5A	10mΩ

SIGNAL [®] Shenzhen Signal Electronics Co., LTD		TITLE M12 A CODING MALE CONNECTOR WITH SHIELD	
		SGN NO M12AM03~12002	REV. SO
DRAWN BY	DATE	DWG NO	
CHECKED BY	DATE	CUSTOMER	
APPROVED BY	DATE	TOLERANCES ARE:	
<small>THE INFORMATION CONTAINED IN THIS DRAWING IS THE SOLE PROPERTY OF SIGNAL COMPANY. ANY REPRODUCTION IN PART OR WHOLE WITHOUT THE WRITTEN PERMISSION OF SIGNAL COMPANY IS PROHIBITED.</small>		DECIMALES .x ±0.5	ANGLES x.' ±2.0'
		.xx ±0.20	.x' ±1.0'
		THIRD ANGLE PROJECTION	SIZE: A4 UNITS: mm
		SCALE:	SHEET: 1 OF 1