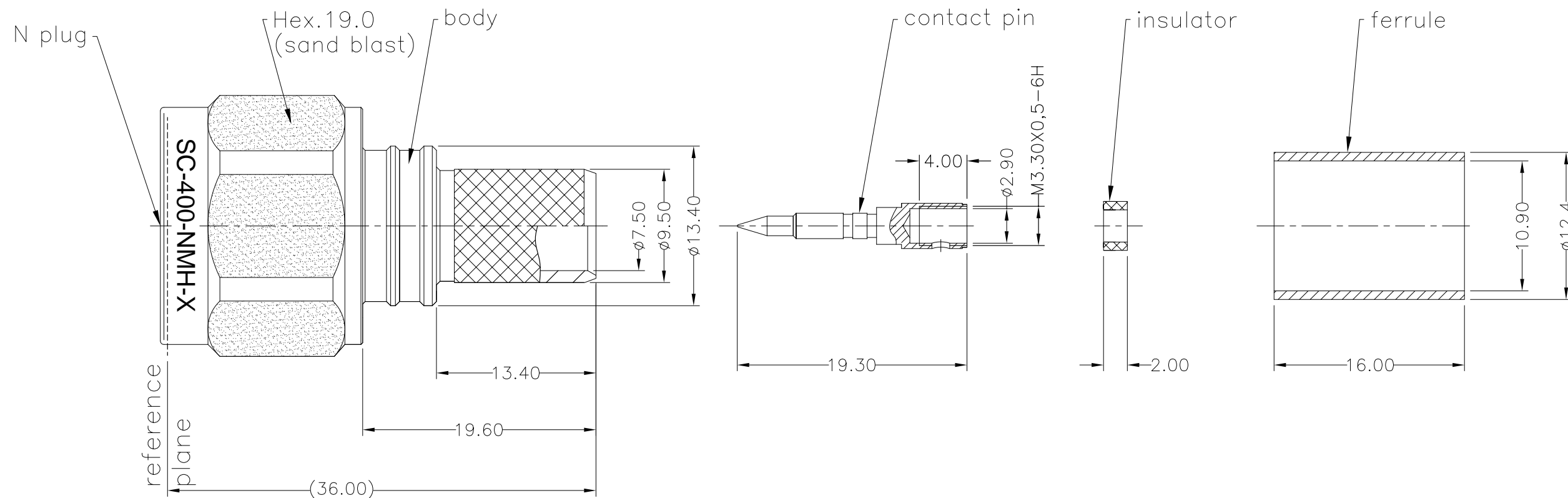


NOTICE OF PROPRIETARY RIGHTS THIS DOCUMENT CONTAINS CONFIDENTIAL DATA, INCLUDING TRADE SECRETS, PROPRIETARY TO TIMES MICROWAVE SYSTEMS. DISCLOSURE OF THIS DATA IS EXPRESSLY CONDITIONED UPON YOUR ASSENT THAT ITS USE IS LIMITED TO USE WITHIN YOUR COMPANY ONLY. ANY OTHER USE IS STRICTLY PROHIBITED WITHOUT THE PRIOR WRITTEN CONSENT OF TIMES MICROWAVE SYSTEMS.

SYM	REVISION DESCRIPTION	DFTM	DATE	APPD	APPD
A	RELEASED FOR PRODUCTION	Joslen	2016.10.28	TZ	2016.10.28
B	Modified insulator from 1.0mm to 2.0mm	Joslen	2017.01.04	TZ	2017.01.04
C	Added special thread to crimp	Joslen	2017.02.22	TZ	2017.02.22
D	Added stamp mark	Joslen	2017.03.24	TZ	2017.03.24



Notes:

1. The inner pin can be solder and crimp, Crimp size Hex. 0.128"x0.156", Out conductor crimp size Hex. 0.429"x 0.531".

I. MATERIALS & FINISHES

Components	Materials	Finishes	Thk. (μ")
Body	Brass	Albaloy	80
Center Cont.	Brass	Gold	15
Ferrule	Brass	Albaloy	80
Nut	Brass	Albaloy	80
Insulator	TPX	--	Clear
Gasket	Silicone	--	--

II. ELECTRICAL PROPERTIES

Impedance (Ω):	50
Frequency Range (GHz):	DC to 6 GHz
Working Voltage (V):	2500
Insulation Resistance (MΩ):	≥10000
VSWR:	≤1.30
Insertion Loss(dB, f/GHz):	-0.1x √f

III. ENVIRONMENT PROPERTIES

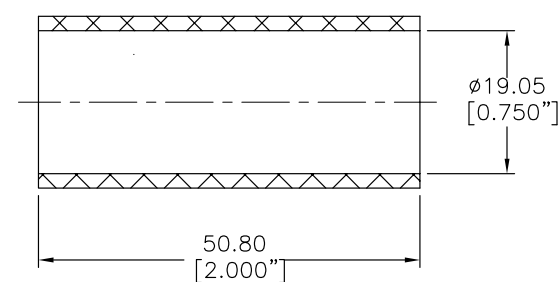
Temperature Range:	-40°C~+85°C
Thermal Shock:	MIL-STD 202G, Meth.107, Cond.B
Vibration:	MIL-STD 202G, Meth.204, Cond.B
Shock:	MIL-STD 202G, Meth.213, Cond I
Climatic Class:	IEC 60068 55/155/56
(2002/95/EC)RoHS:	Compliant

IV. MECHANICAL PROPERTIES

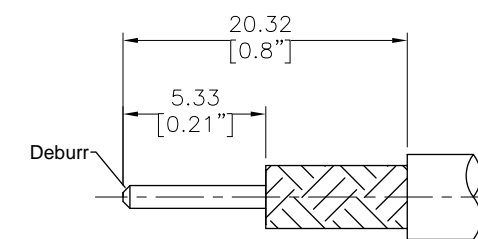
Center Cont.:	Solder
Outer Cont.:	Crimp
Coupling Nut Torque (N.m):	1.7 N.m
Cbl-Connector Retention Force (N):	500
Durability (cycles):	500

V. TOOLING

Stripping Tool: 3192-004/CST-400
Crimping Tool: 3190-666/CT-400/300



Shrink Tube (3/4"x2.0" 3:1)



RECOMMENDED CABLE STRIPPING DIM'S
Connector adds: 16.0 mm

According to Standard: IEC 61169-16

MATL:	UNLESS OTHERWISE SPECIFIED	DFTM:	Joslen	
USED ON: O	ALL DIMENSIONS ARE IN mm MACHINED SURFACES FINISH 1.6 RMS MAX. REMOVE ALL BURRS 0.15X45° MAX. BREAK MACHINE CORNERS 0.15X45° D MAX. FILLET R. TOLERANCES ON DECIMALS .X ±0.3 .XX ±0.15 ANGLES ±2° FRACTIONS ± N/A	DATE	2017.03.24	
SCALE: N/A		CHKD	KG	
DWG SIZE: A4		DATE	2017.03.24	
DO NOT SCALE DRAWING		APPD	TZ	
CODE IDENT: 68999		DATE	2017.03.24	
Type N Male (Plug) Straight Solder Pin No Braid Trim Connector for LMR-400 Cable				1 OF 1 3190-6331 REV D