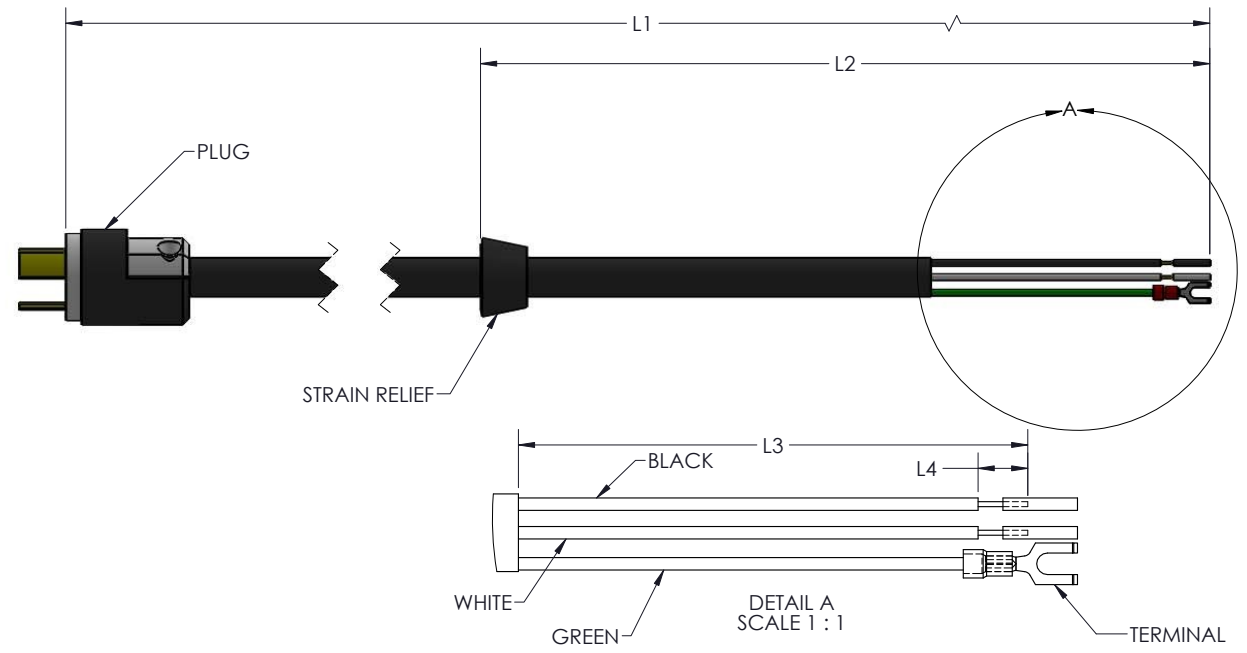


8 7 6 5 4 3 2 1



REVISIONS				
REV	TRACKING NO.	DESCRIPTION OF CHANGE	DATE	ORIGINATOR
1	X27150	CREATE DRAWING	9/7/18	B.BEVILL

PART NUMBER	DESCRIPTION	RAW MATERIAL	PLUG	STRAIN RELIEF	L1 TOLERANCE: +.5" -0"	L2 TOLERANCE: +0" -.13"	INDIVIDUAL WIRES	L3 TOLERANCE: ±.05"	L4 (STRIP & RETAIN) TOLERANCE: ±.02"	TERMINAL
83289500-001	POWER CABLE ASSEMBLY, 277V, NEMA L7-15P, 7FT w/#8 SPADE ON GROUND	25032200	L7-15P	HEYCO 1857	84.13"	12.13"	SEE DETAIL A FOR THE FOLLOWING: BLACK	4.00"	0.56"	N/A
							WHITE			N/A
							GREEN	N/A	010-14273	
83289500-002	POWER CABLE ASSEMBLY, 120V, NEMA 5-15P, 7FT w/#8 SPADE ON GROUND	25032300	5-15P	HEYCO 1857	84.13"	12.13"	SEE DETAIL A FOR THE FOLLOWING: BLACK	4.00"	0.56"	N/A
							WHITE			N/A
							GREEN	N/A	010-14273	

PXP APPROVED - NOT RELEASED FOR PRODUCTION

MATERIAL:	UNLESS OTHERWISE SPECIFIED DIMENSIONS ARE IN INCHES. TOLERANCES: X/X= ± 1/64 .XX= ± .01 .XXX= ± .005	THIRD ANGLE PROJECTION										
DRAWN BY J.STINNETT	DATE 9/17/2018	MECHANICAL ENGINEER:			DATE 9/17/2018	TITLE: POWER CABLE ASSEMBLY						
FINISH: N/A	THE INFORMATION HEREON IS THE PROPERTY OF UNIVERSAL LIGHTING TECHNOLOGIES, INC. AND/OR ITS SUBSIDIARIES. WITHOUT WRITTEN PERMISSION, ANY COPYING, TRANSMITTAL TO OTHER, AND ANY USE EXCEPT THAT FOR WHICH IT IS LOANED IS PROHIBITED.			<table border="1"> <tr> <td>SIZE</td> <td>SCALE</td> <td>DWG. NO.</td> <td>DRW REV</td> </tr> <tr> <td>B</td> <td>1:2</td> <td>83289500</td> <td>01</td> </tr> </table>	SIZE	SCALE	DWG. NO.	DRW REV	B	1:2	83289500	01
SIZE	SCALE	DWG. NO.	DRW REV									
B	1:2	83289500	01									
MODEL FILE NAME: 83289500		REV: 01	SHEET 1 OF 1									

NOTES UNLESS OTHERWISE SPECIFIED:
1. WIRE SPECIFICATION:
POWER CABLE: 16 AWG 3C COPPER STRANDED,
SJEOW, BLK.

8 7 6 5 4 3 2 1