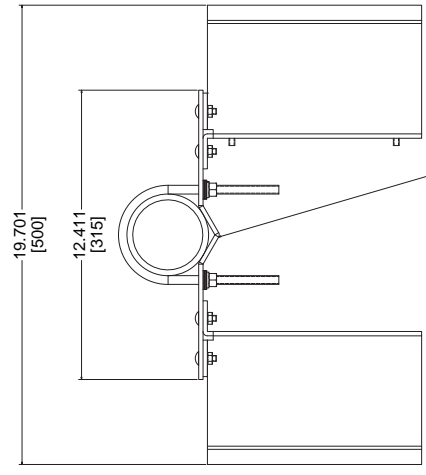
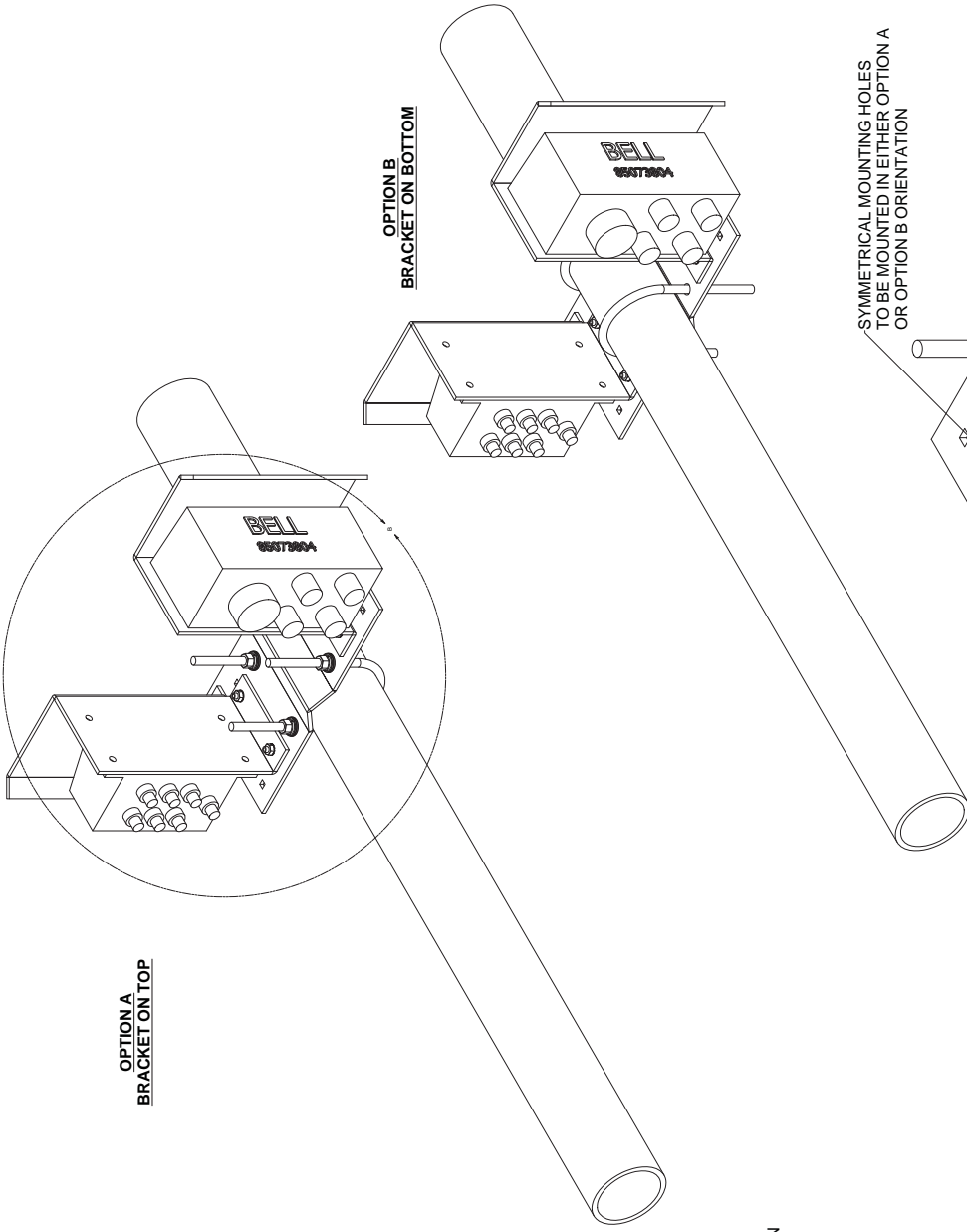


| TOTAL QTY | MATERIAL LIST | PART NUMBER | REVISION NUMBER |
|-----------|-----------------------------------|-------------|-----------------|
| 1 | RFM-BM-DB PIPE MOUNT.ipt | | 00 |
| 2 | 3/8-16 3/4 INCH TUBOLT | | 00 |
| 8 | 3/8 Flat Washer | | 00 |
| 4 | ANSI B18.2.2 - 3/8 - 16 | | 00 |
| 4 | 3/8 Lock Washer | | 00 |
| 6 | 1/4-20 SLSlt. Keps Nut | | 00 |
| 1 | BELL85073804 | | 00 |
| 1 | BELL85075309 | | 00 |
| 6 | 1/4-20 UNC x 3/4 SS Carriage Bolt | | 00 |



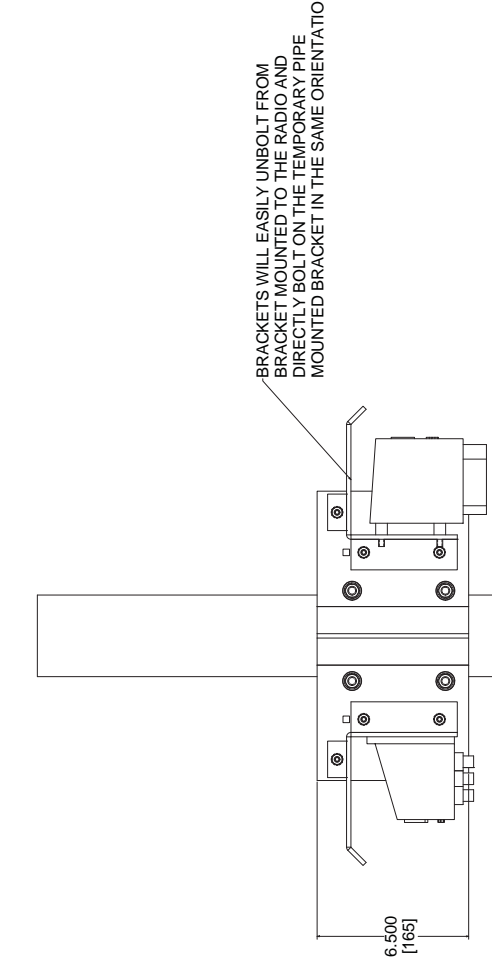
V-NOTCHED TO CENTER ITSELF ON THE PIPE AND HOLD POSITION



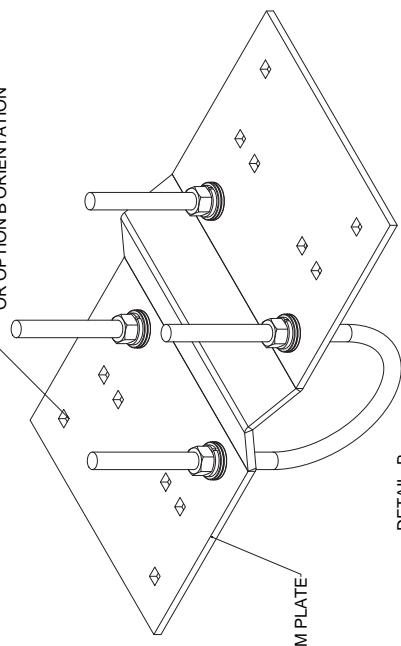
OPTION A
BRACKET ON TOP

OPTION B
BRACKET ON BOTTOM

SYMMETRICAL MOUNTING HOLES TO BE MOUNTED IN EITHER OPTION A OR OPTION B ORIENTATION



BRACKETS WILL EASILY UNBOLT FROM BRACKET MOUNTED TO THE RADIO AND DIRECTLY BOLT ON THE TEMPORARY PIPE MOUNTED BRACKET IN THE SAME ORIENTATION



3/16" ALUMINUM PLATE

DETAIL B
SCALE 2 : 1

NOTE: ISOMETRIC VIEW IS NOT TO SCALE

| | |
|---|---------------------------------|
| R. F. MOTE LTD ENGINEERED SYSTEMS | |
| PART NUMBER | RFM-BM-DB PIPE MOUNT-ASSEMBLY-A |
| DATE | 11/27/2018 |
| SCALE | 1 |
| SHEET | 1 OF 1 |
| WEIGHT | 17.032 lbmass |
| REV | |

The information contained herein is proprietary and confidential to R.F.MOTE LTD. It may not be reproduced or further disseminated, in whole or in part, without prior written consent from R.F.MOTE LTD.