

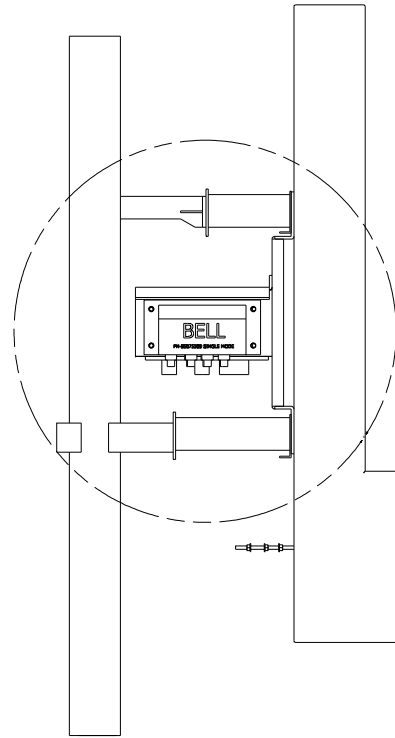
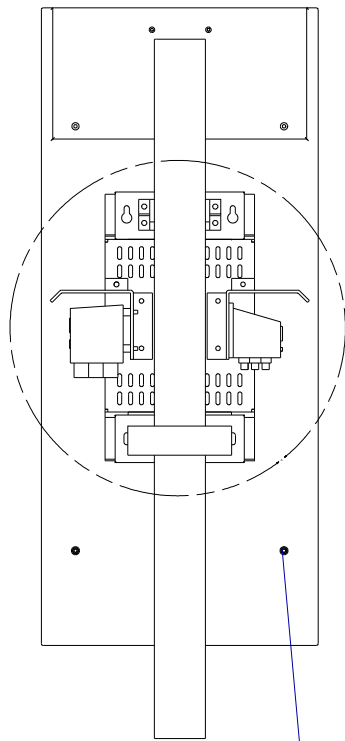
NOTE: ISOMETRIC VIEW IS NOT TO SCALE

**R.F.MOTE LTD**  
ENGINEERED SYSTEMS

PART NUMBER	<b>RFM-BM-AEQA</b>			
-------------	--------------------	--	--	--

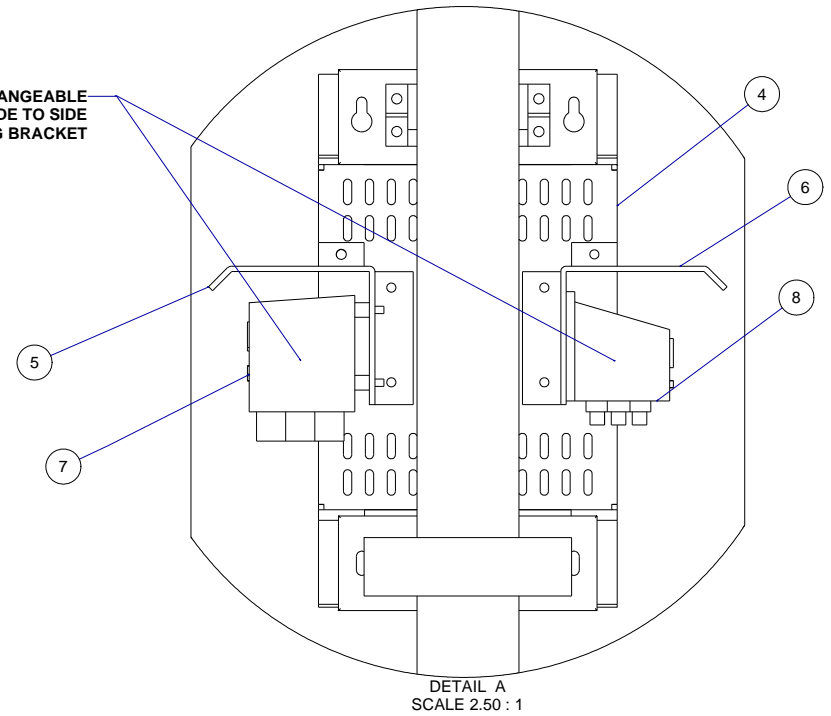
The information contained herein is proprietary and confidential to R.F.MOTE LTD. It may not be reproduced or further disseminated, in whole or in part, without prior written consent from R.F.MOTE LTD.

DATE	SCALE	SHEET	WEIGHT	REV
1/11/2019	1.25	1 OF 3	N/A	00
Please visit <a href="http://www.rfmote.com">www.rfmote.com</a> for more information and specs				

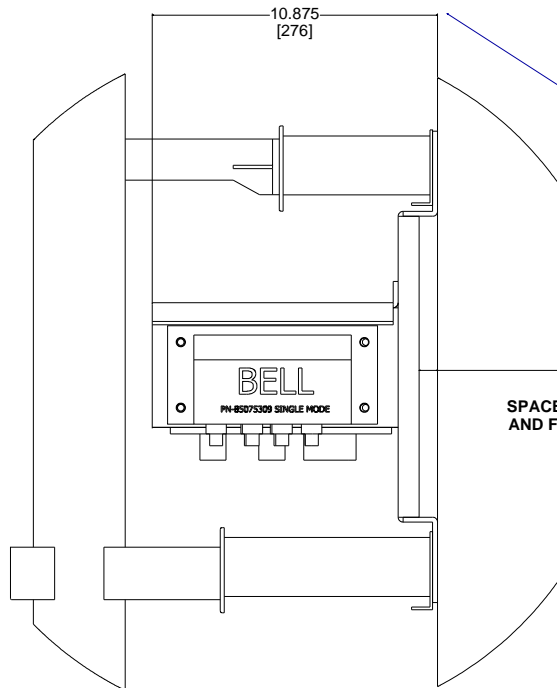


M6 X 100MM ROD SUPPLIED FOR  
RF COAXIAL CONNECTORS  
(X2)

INTERCHANGEABLE  
FROM SIDE TO SIDE  
ON EITHER MOUNTING BRACKET



DETAIL A  
SCALE 2.50 : 1



DETAIL B  
SCALE 2.25 : 1

DISTANCE FROM FACE OF RADIO  
TO EDGE OF SIDE COVER

.700  
[18]  
SPACE BETWEEN FACE OF RADIO  
AND FORMED EDGE OF BRACKET

NOTE: ISOMETRIC VIEW IS NOT TO SCALE

**R.F.MOTE LTD**  
ENGINEERED SYSTEMS

PART NUMBER

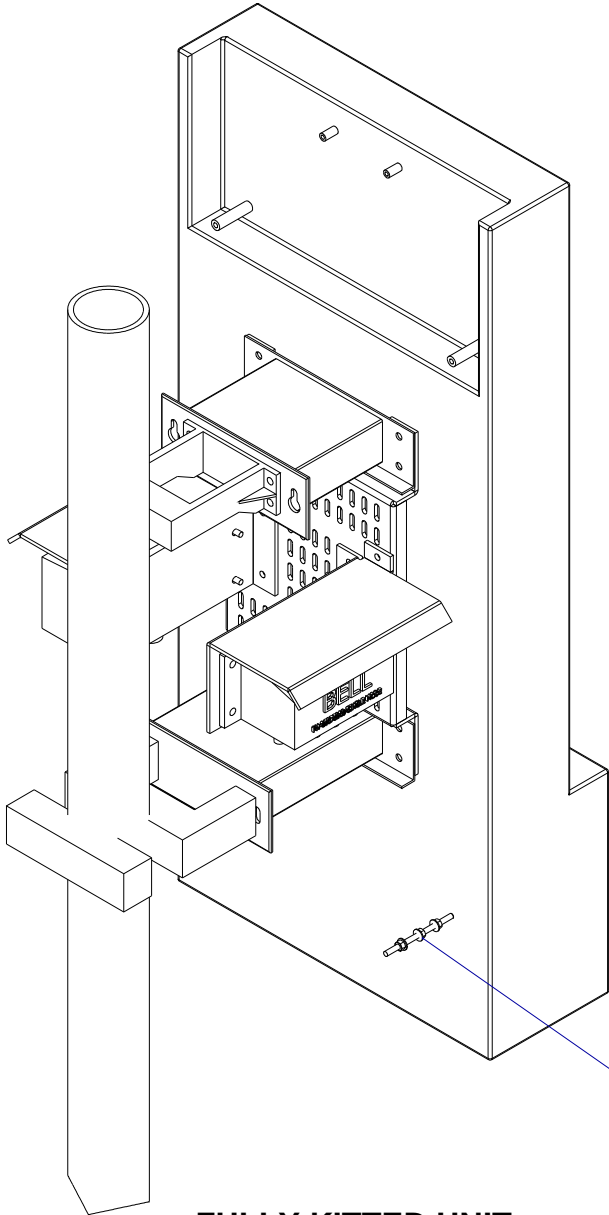
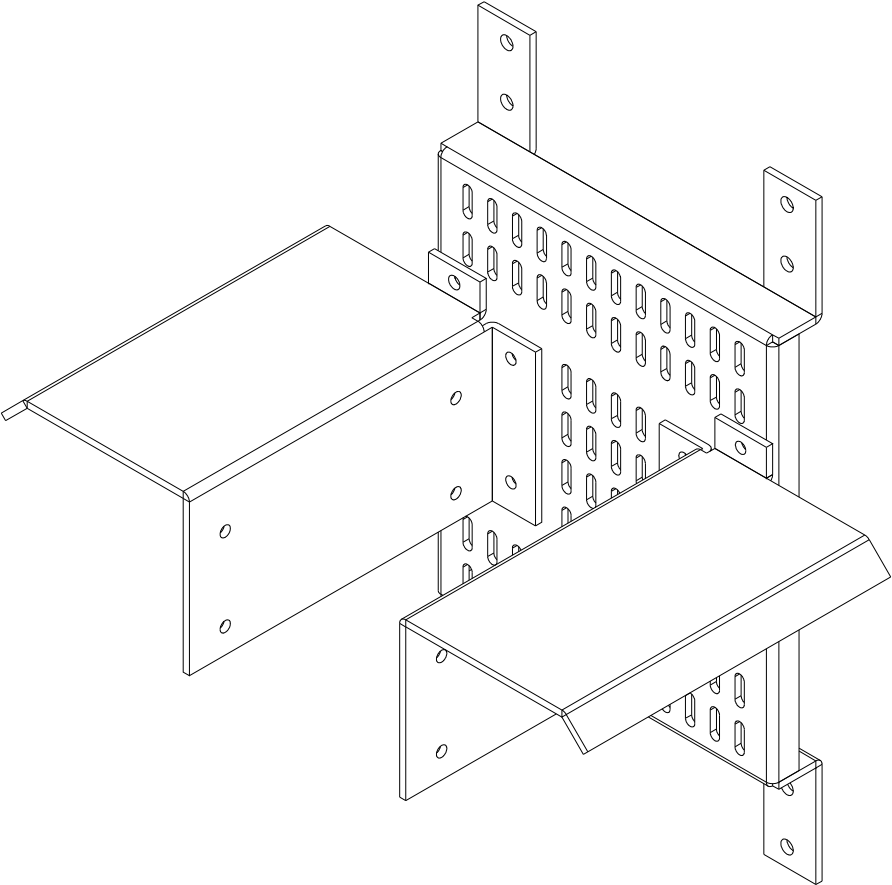
**RFM-BM-AEQA**

MATERIAL LIST			
ITEMS	QTY	PART NUMBER	REV
1	1	NOKIA-RADIO-474212A-101	00
2	1	474212A-101 upper mount brkt	00
3	1	474212A-101 lower mount brkt	00
4	1	RFM-BM-AEQA-TRAY	00
5	1	RFM-BM-AAU-SC1	00
6	1	RFM-BM-AAU-SC2	00
7	1	BELL85073804	00
8	1	BELL85075309	00
9	1	HUAWEI 02312CHP-BRKT1	00
10	1	HUAWEI 02312CHP-BRKT 2	00
11	1	HUAWEI-WTTP-PIPE	00
12	2	M6 THREADED ROD	00
13	6	ANSI B18.2.4.2M - M6 x 1	
14	6	AS 1971 - 5	

The information contained herewithin is proprietary and confidential to R.F.MOTE LTD. It may not be reproduced or further disseminated, in whole or in part, without prior written consent from R.F.MOTE LTD.

DATE 1/11/2019	SCALE 1.25	SHEET 2 OF 3	WEIGHT N/A	REV 00
-------------------	---------------	-----------------	---------------	-----------

**RF MOTE SUPPLIED BRACKETS ONLY**



M6 THREADED ROD  
C/W WASHERS AND NUTS  
(X2)

**FULLY KITTED UNIT**

**AEQA HARDWARE KIT**

- (10)x 1/4-20 x 3/4" SS Hex Bolt
- (8)x 1/4-20 SS Keps nut
- (8)x 1/4" SS Flat washer
- (8)x 1/4" SS Lock washer
- (2)x M6 SS Threaded Rod x 100 mm
- (6)x M6 SS Hex nut
- (6)x M6 SS Flat washer

NOTE: ISOMETRIC VIEW IS NOT TO SCALE

<b>R.F.MOTE LTD</b> ENGINEERED SYSTEMS				
PART NUMBER				
<b>RFM-BM-AEQA</b>				

The information contained herein is proprietary and confidential to R.F.MOTE LTD. It may not be reproduced or further disseminated, in whole or in part, without prior written consent from R.F.MOTE LTD.	DATE	SCALE	SHEET	WEIGHT	REV
	1/11/2019	1 : 1	3 OF 3	N/A	00

Please visit [www.rfmote.com](http://www.rfmote.com) for more information and specs