

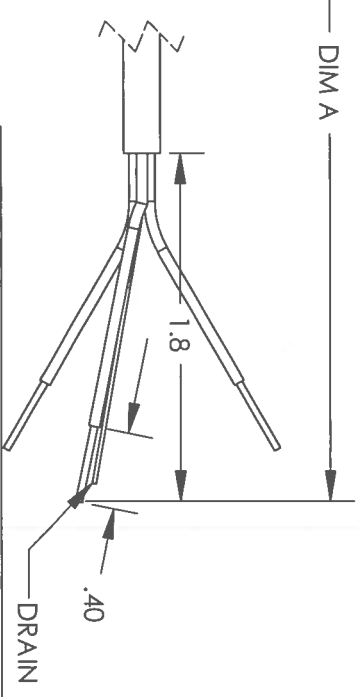
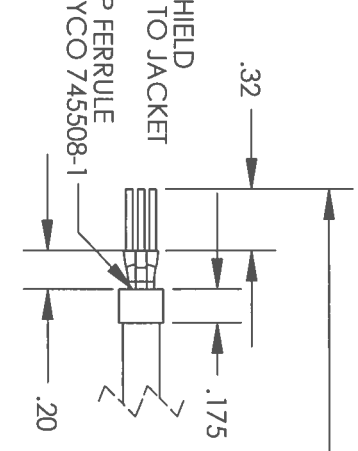
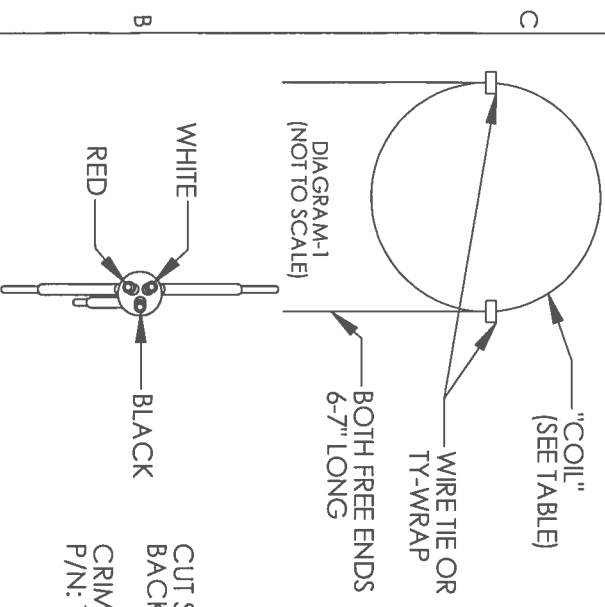
This drawing includes confidential information which is the property of ASHCROFT INC. This copy is loaned for the specific purpose, with the understanding that it will not be reproduced or used for any other purpose or disposed to others, and it will be returned on demand.

**ASHCROFT INC.**  
 250 EAST MAIN STREET,  
 STRATFORD, CT 06614

Part No.	Description	Material	DIM A	COIL (N)	AS RECID
611A242-01	RAW CABLE	NOTE-1	TO ORDER		
611A242-02	CABLE 9FT/1M	NOTE-1	1 METER	3-4	
611A242-03	CABLE 10FT/3M	NOTE-1	10 FEET	4-5	
611A242-04	CABLE 20FT/6M	NOTE-1	20 FEET	5-6	
611A242-05	CABLE 15FT/4.5M	NOTE-1	15 FEET	4.5-5.5	
611A242-06	CABLE 6.6FT/2M	NOTE-1	6.6 FEET	4-5	
611A242-07	CABLE 4FT/1.2M	NOTE-1	4 FEET	3-4	
611A242-00	CABLE (CUSTOM)	NOTE-1	TO ORDER		AS RECID

**Notes:**

- 1) Cable to be supplied in lengths of 100 ft., 500 ft., or 1000 ft. as required. Specified length to be continuous.
- 2) all wire ends to be tinned, USE NO CLEAN SOLDER ONLY.
- 3) Wrap wires per DIAGRAM-1
- 4) Add and crimp Ferrule Tyco p/n: 745508-1 or equivalent flush with cable jacket
- 5) COMPLETE ASSEMBLIES MUST BE ROHS 2011/65/EU COMPLIANT, INCLUDING LEAD-FREE SUBSTRATE, SOLDER, AND ALL COMPONENTS. ROHS COMPLIANT ASSEMBLIES MUST BE CLEARLY MARKED "ROHS"



WIRE COLOR FOR THIS END, MUST BE IN THE ORDER SHOWN.

**IMPORTANT: DIMENSIONS WITHIN OVAL AND NOTES IDENTIFIED WITH " " " " REQUIRE MANDATORY INSPECTION.**

CABLE FOR G2

DIMENSIONAL TOLERANCES UNLESS OTHERWISE SPECIFIED ALL DIMENSIONS ARE IN INCHES

TOLERANCES ARE:	SIZE	DWG. NO.	REV.
3 place decimal .000	±.007	<b>A 611A242</b>	<b>B</b>
2 place decimal .00	±.015		
1 place decimal .0	±.030		

A

A

REV	ECO	DESCRIPTION	BY	DATE
B	0007800	Added Specific Lengths to table	RJ	1/20/2015
A	0007301	Release	RJ	6/11/2014

DO NOT MANUALLY UPDATE	DATE
CAD GENERATED DRAWING, DRAWN BY	6/9/14
R.Januszkiewicz	

DO NOT SCALE DRAWING	Scale 1:1	Sheet 1 of 1
----------------------	-----------	--------------