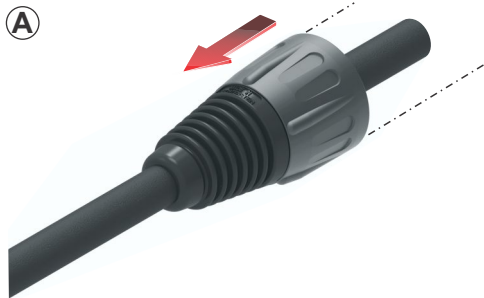




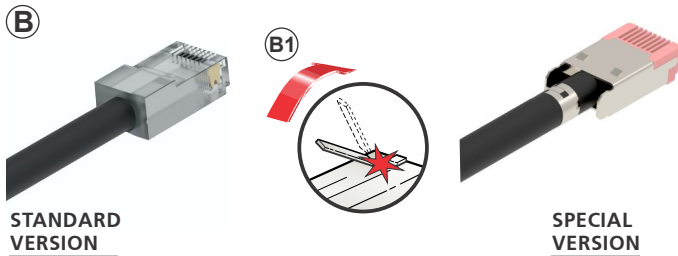
ASSEMBLY INSTRUCTION

etherCON® | NE8MX-1 & NE8MX-B-1

Ruggedized RJ45 Data Cable Connector Carrier

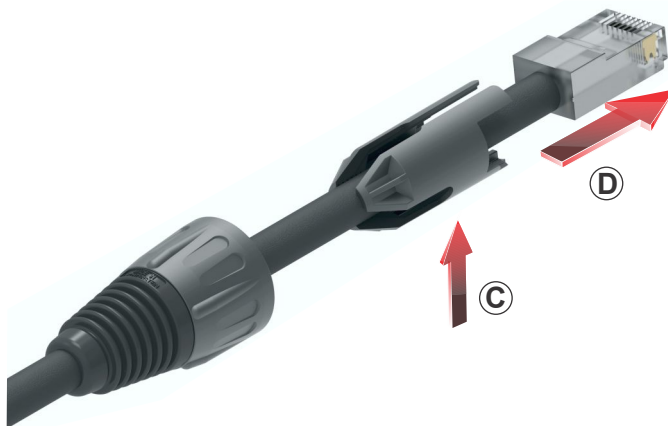


Ⓐ Slide the bushing over the cable.

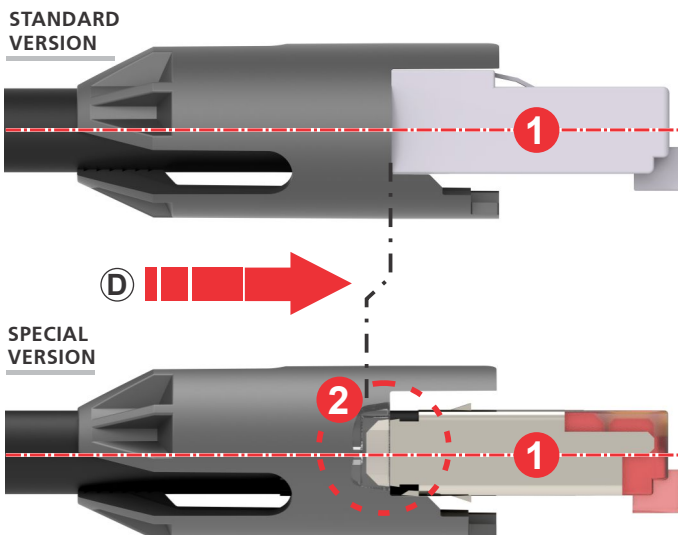


Ⓑ Assemble the RJ45 plug on the cable.

Ⓑ1 Cut off the release tab of RJ45 plug.



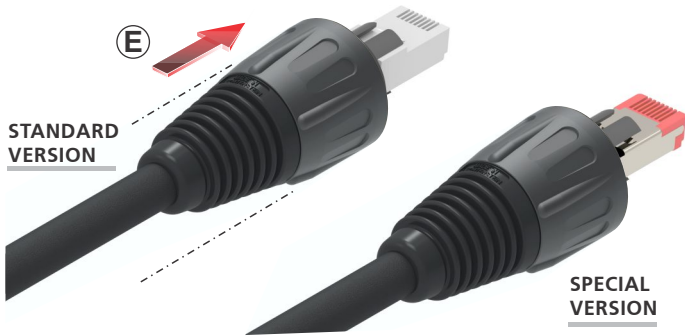
Ⓒ Put the chuck onto the cable.
Align the opening with the contact side.



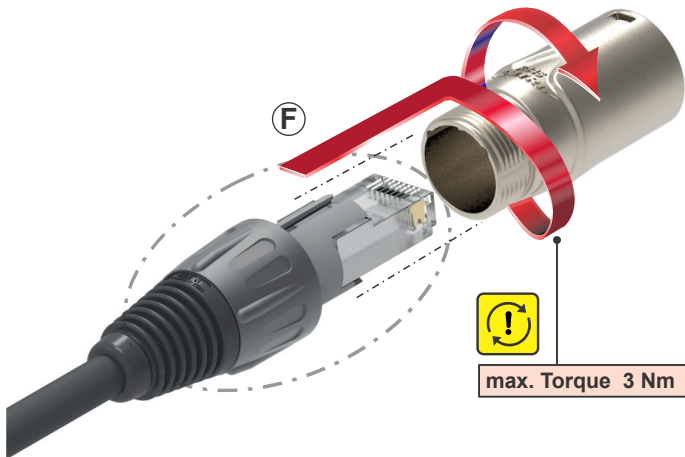
Ⓓ Position the RJ45 in the chuck.

Attention:

- 1 RJ45 must be straight.
- 2 Special versions must engage in the inner recess of the chuck.



E Position the bushing onto the chuck.



F Slide the unit (insert and boot) into the housing and tighten the bushing with max. torque 3 Nm (2.2 lb-ft).



G CAUTION:

There is no overlap allowed.

FINISHED etherCON® NE8MX-1:



Find more etherCON® details on www.neutrik.com.



NEUTRIK AG LI T: +423/237 24 24 F: +423/232 53 93
 NEUTRIK USA Inc. USA T: +1 704 / 972 3050 F: +1 704/438 9202
 NEUTRIK (UK) Ltd. UK T: +44 1983 / 811 441 F: +44 1983/811 439
 NEUTRIK Vertriebs GmbH DE/NL/AT/DK T: +49 8131 / 280 890 F: +49 8131/280 830

NEUTRIK France FR T: +33 1/4131 6750 F: +33 1/4131 0511
 NEUTRIK Tokyo Ltd. JP T: +81 3/3663 4733 F: +81 3/3663 4796
 NEUTRIK Hong Kong Ltd. HK T: +852/2687 6055 F: +852/2687 6052
 NEUTRIK India Pvt. Ltd. IND T: +91/982 05 43 424 F: +91/22 26163 540

Draft. Nr.: BDA 564 | Update: 14.12.2018 | Data subject to change without prior notice. ©2018 NEUTRIK®. ALL RIGHTS RESERVED. NEUTRIK® & etherCON® are registered trademark.