

YOUR SIGNATURE CONSTITUTES THAT YOU HAVE READ AND AGREED TO THIS SPECIFICATION SHEET AND UPON CONFIRMATION OF YOUR ORDER; THIS ITEM MAY BE NON-CANCELABLE AND NON-RETURNABLE.

Signature:

Date:

Company:

A: 20 AWG 2 Conductors 41 Strands Bare Copper Wire PVC Insulated

Size & Stranding: 20 AWG 41/36
 Metal Type: Annealed Bare Copper
 Nominal Wire Diameter: 0.038

Insulation: PVC
 Nominal Thickness: 0.016
 Nominal Conductor Diameter: 0.070
 Color Code: Black, White

B: Aluminum/Mylar Tape Tape - 100% Coverage (foil facing out)

C: 20 AWG 7 Strands Tinned Copper Drain Wire

D: Tubed TPE Jacket, 0.020 Nominal Thickness, Color: Natural

E: Tinned Copper Braid Shield - 90% Coverage

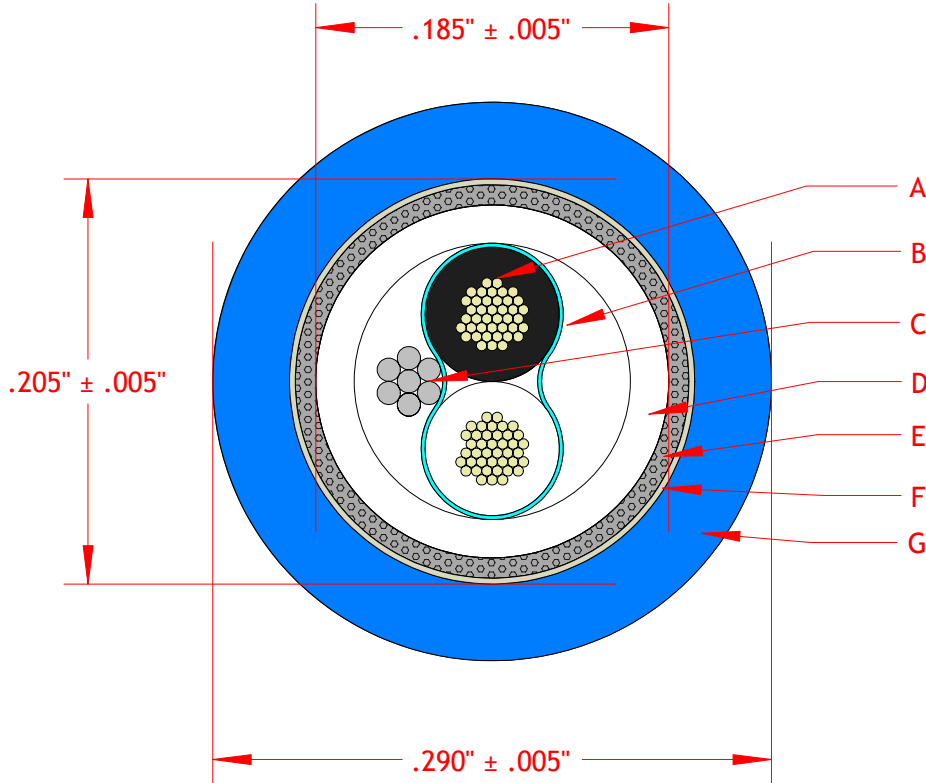
F: Tissue Paper Separator

G: Pressured TPE Jacket, 0.040 Nominal Thickness, Color: Blue

Legend: E206787 20AWG 2C SHLD 2U AWM 21002 105°C 300V OR CSA LL226471
 AWM I/II A/B 105C 300V FT4 "ROHS II" MADE IN USA

Notes:
 Type of Print: Inkjet Print in White Ink
 Footage Markers: N/A
 Ripcord: N/A
 Weight: 52 Lbs/Mft

Standards:
 UL recognized component AWM 21002 per UL Standard 758
 CSA component AWM I/II A/B per CSA Standard C22.2 No. 210-11
 For internal wiring or external interconnection
 Operating Temperature: -40°C to 105°C
 All materials used in the manufacturing of this cable are RoHS II Compliant
 Made in the USA



20 AWG 2C SHIELDED TPE BLUE
 AWM 21002 105C 300V

All Dimensions are Shown In Inches

PROPRIETARY DOCUMENT

THIS DRAWING MAY CONTAIN PATENTED OR PROPRIETARY INFORMATION AND MUST NOT BE REPRODUCED, DISTRIBUTED OR USED FOR MANUFACTURING WITHOUT THE WRITTEN CONSENT OF LAKE CABLE, LLC. ACCEPTANCE OF THIS DRAWING WILL BE CONSTRUED AS AN AGREEMENT TO AND ACCEPTANCE OF THE FOREGOING.

Third Angle Projection

Drawn By: MZ

Scale: 10 : 1

Cust. #: -

REV -

Reviewed By: -

Sheet: 1 of 1

Lake #: C202CS(41)BRD-06

REV A

Cage Code: N/A

Date Created: 11/03/17

Revision

New Release

MZ

12/06/17

A

-

MZ

11/03/17

Revision

Description

Approved By

Date