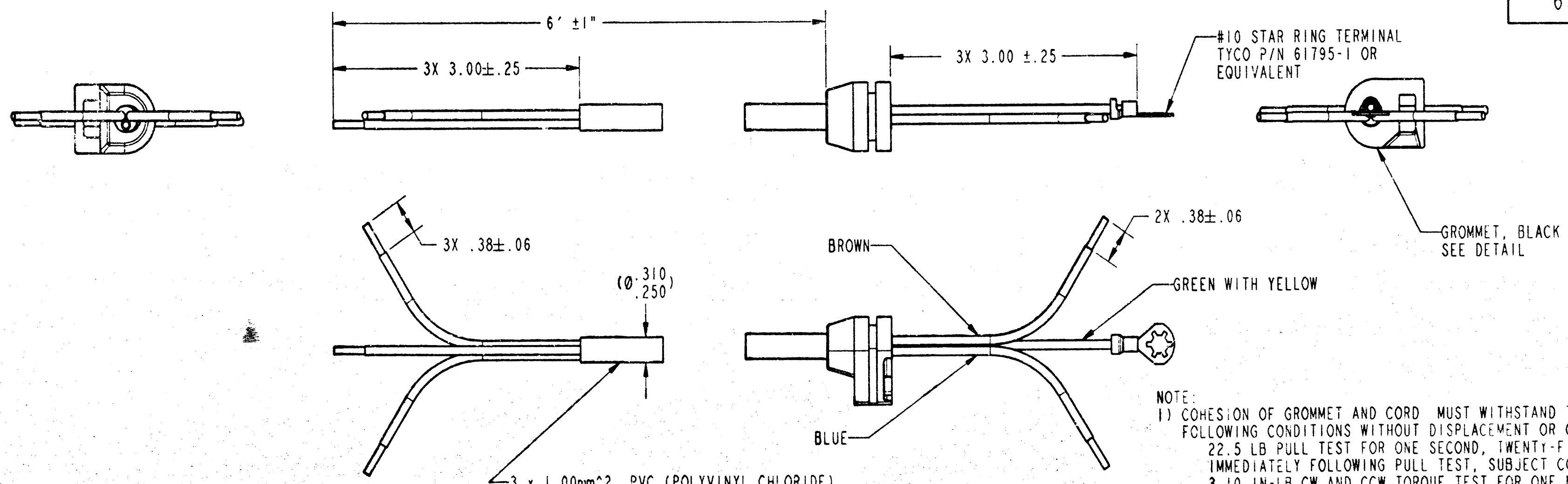


GROMMET DETAIL

PART NO.
638897



3 x 1.00mm², PVC (POLYVINYL CHLORIDE), BLACK SHEATHED FLEXIBLE CORD.
VOLTAGE RATING: 250V
MAXIMUM CURRENT: 10A
CABLE MUST BE VDE APPROVED.
HANK, FLATTEN, TIE, 10" LEAD.

NOTE:
1) COHESION OF GROMMET AND CORD MUST WITHSTAND THE FOLLOWING CONDITIONS WITHOUT DISPLACEMENT OR CREEPAGE:
22.5 LB PULL TEST FOR ONE SECOND, TWENTY-FIVE TIMES.
IMMEDIATELY FOLLOWING PULL TEST, SUBJECT CORD TO 3.10 IN-LB CW AND CCW TORQUE TEST FOR ONE MINUTE.

REV	DATE	ECN NO.	REVISION	INT	REV	DATE	ECN NO.	REVISION	INT
A	3/31/05	05-0748	VDE WAS "HAR"	GHU					
B	28OCT05	05-1417	"VDE" IN DRAWING TITLE WAS "HAR"	SDI					

THIS DRAWING CONFORMS TO RIETSCHLE THOMAS SHEBOYGAN PUMPS & COMPRESSORS PRODUCT ENGINEERING STANDARD Z10, GENERAL DRAFTING STANDARD.		TOLERANCES UNLESS OTHERWISE SPECIFIED		DATE		DATE		DATE	
PRE-PRODUCTION NO EX638897		SURFACE FINISH SPECIFIED IN NO		HUEPPCHEN 1/8/04		DATE		DATE	
INITIAL USAGE MODEL NEXUS		ALL RADI: .03		DATE		DATE		DATE	
REL. FOR PROD 3/31/05		ALL FILLETS .03		DATE		DATE		DATE	
SUPERSEDES:		ALL DRAFT 2		DATE		DATE		DATE	
SUPERSEDED BY:		ALL ANGLES ±2°		DATE		DATE		DATE	
TITLE		CONTROL CHARACTERISTIC		DATE		DATE		DATE	
CORD-VDE 6' INTEGRAL GROMMET		FULL		DATE		DATE		DATE	
PART NO.		PART NO.		DATE		DATE		DATE	
638897		638897		DATE		DATE		DATE	

