

52104450	DATA SHEET	
Valid from: 03.07.2018	SKINDICHT® ME-M	

The SKINDICHT® ME-M enlargers enable the use of the cable glands with bigger outer thread than the already existing thread openings on machines, devices and housings.



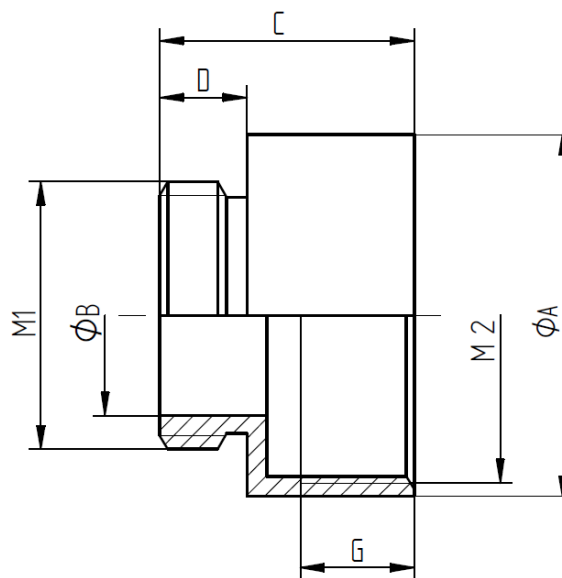
Technical features:

Material	Brass, nickel-plated
External tread	M12x1.5 up to M63x1.5 acc. to EN 60423
Internal thread	M16x1.5 up to M75x1.5 acc. to EN 60423
Temperature range	-60°C up to +200°C

Norm references:



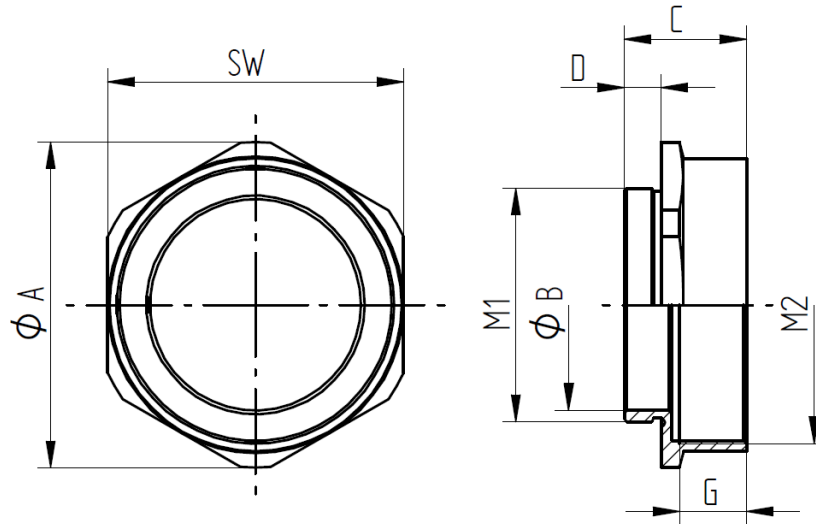
SKINDICHT® ME-M



External tread M1	Internal thread M2	Diameter Ø A mm	Diameter Ø B mm	High C mm	High D mm	Thread length G mm	Article No.
M12x1,5	M16x1,5	18	8	15	5	7,5	52104450
M16x1,5	M20x1,5	22	12	17,5	6	8,5	52104452
M20x1,5	M25x1,5	27	15	19	6,5	8,5	52104454
M25x1,5	M32x1,5	34	20	21	6,5	9,5	52104456
M32x1,5	M40x1,5	42	26	23	7	9,5	52104458
M40x1,5	M50x1,5	53	33	31	9	11	52104460
M50x1,5	M63x1,5	67	43	33	10	16	52104462

52104450	DATA SHEET	
Valid from: 03.07.2018	SKINDICHT® ME-M	

SKINDICHT® ME-M 6 Kt.



External tread M1	Internal thread M2	Wrench Size SW	Diameter Ø A mm	Diameter Ø B mm	High C mm	High D mm	Thread length G mm	Article No.
M63x1,5	M75x1,5	80	88	57	33	10	18	52104463

For more information please see our current catalogue. Please do not hesitate to contact our laboratory if there are any questions regarding resistance against aggressive agents and special oil.

Creator: M. Wegerer /PDP Released: DAMU1/PDP	Document: DB52104450EN Version: 04	Page 2 of 2
---	---------------------------------------	-------------