

1) CONSTRUCTION:		NOM. DIA.
CONDUCTOR:	20 AWG 7/28 STRANDED TINNED COPPER	.038"
INSULATION:	POLYVINYLCHLORIDE, .016" NOM. WALL THICKNESS	.070"
CABLE:	(9) COLOR CODED SINGLES TWISTED TOGETHER WITH FILLER AND WRAPPED WITH A CLEAR POLYESTER BINDER TO FORM A CABLE CORE.	.256"
SHIELD:	AN OVERALL ALUMINUM POLYESTER FOIL SHIELD (FOIL IN, 100% COVERAGE) SHALL BE APPLIED OVER THE CABLE CORE AND SHALL INCLUDE A 20 AWG 7/28 STRANDED TINNED COPPER DRAIN WIRE IN CONTACT WITH THE METALIZED SURFACE.	.277"
RIPCORD:	INCLUDED UNDER JACKET FOR STRIPPING	
JACKET:	POLYVINYLCHLORIDE, CHROME GRAY, .032" NOM. WALL THICKNESS. OVER ALL CABLE DIAMETER	.341"

2) PHYSICAL PROPERTIES:	
TEMPERATURE RATING, MAX.	105° C
WT./M', NOM., NET.	70.9 LBS.

3) ELECTRICAL CHARACTERISTICS:	
CAPACITANCE, MUTUAL, NOM.	30 PF/FT.
CAPACITANCE, GROUNDED, NOM.	54 PF/FT.
DIELECTRIC WITHSTANDING, MIN.	2000V RMS
VOLTAGE RATING, MAX.	600V
D.C. RESISTANCE, MAX. PER ASTM B286	10.4 Ω/1000 FT

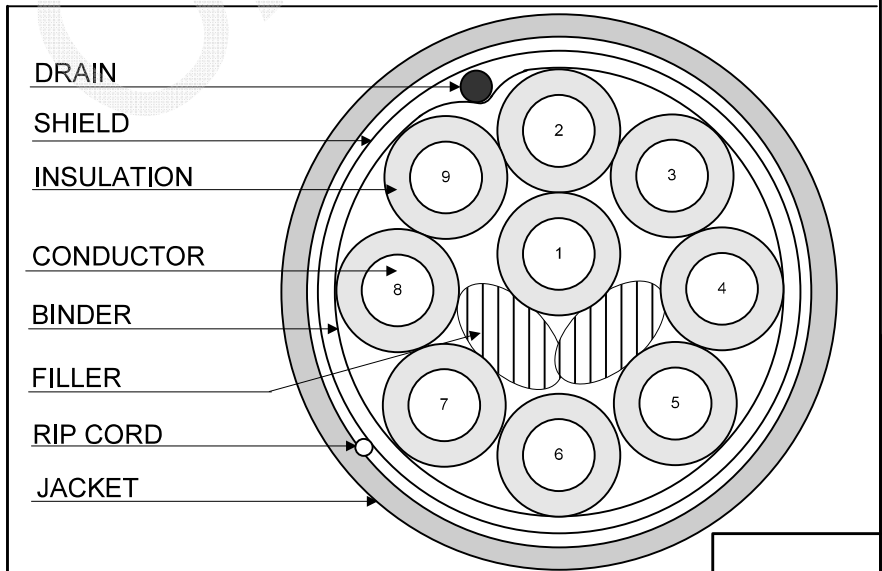
4) AGENCY APPROVALS:
 CSA AWM FT4
 UL AWM STYLE 2586 105C 600V

5) APPLICATION:
 RoHS COMPLIANT MATERIALS.

6) PRINT:
 E69976 **RU** AWM 2586 VW-1 -- CSA LL51726 AWM I/II A/B 105C 600V FT4 -- RoHS -- **(LOT DESIGNATOR)**

- 7) COLOR CODE:
1. BLACK
 2. BROWN
 3. RED
 4. ORANGE
 5. YELLOW
 6. GREEN
 7. BLUE
 8. VIOLET
 9. GRAY

8) PACKAGING
 TO BE PACKAGED AS PER QWC'S
 STANDARD PACKAGING



CUSTOMER APPROVAL:

DATE:

Created 11/18/07	DRAWN: BMD 1/18/12	
REV. 02	CHECKED: GBM 01/18/12	
TITLE 9/C 20 AWG -- AWM 2586, CSA AWM FT4 CABLE -- SHIELDED		
QUABBIN P/N	0816	1 of 1