



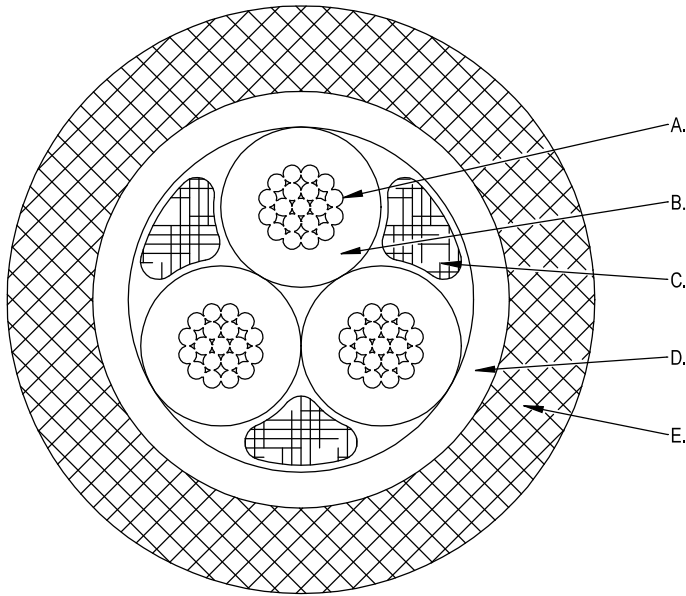
This document contains proprietary and confidential information of Northwire, Inc. (and its subsidiary) and shall not be used, disclosed or reproduced, in whole or in part, for any purpose without the prior written consent of Northwire, Inc. (and its subsidiary).

Disclaimer: The technical data that is made part of this document may be subject to the International Traffic in Arms Regulation (ITAR) and the Export Administration Regulations (EAR). Disclosure of technical data to Foreign Persons in the course of employment with U.S. contractors is considered an export and is subject to the ITAR and EAR export licensing requirements/regulations.

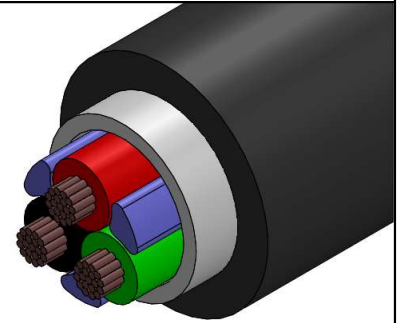
DESCRIPTION: ENDUROFLEX XM PRODUCT LINE	UNITS: IN	SCALE: 24:1	ITEM	SPECIFICATIONS
---	-----------	-------------	------	----------------

NORTHWIRE P/N: N/A	APPR BY: NN	DWG NO: ENDUR-XM
CUSTOMER: N/A	DRAWN BY: A. SPALDING	DATE: 1/15/2014
CUSTOMER P/N: N/A		REV: I

CORE DIMENSIONS FOR INTERNAL USE ONLY



A.	19 STRAND TINNED COPPER
B.	9 MIL PVC INSULATION PER UL AWM 10958 8 MIL MIN. PVC INSULATION
C.	FIBRILATED POLYPROPYLENE FILLER IF APPLICABLE
D.	PTFE TAPE WRAP
E.	30 MILS GRAY ENDUROFLEX JKT 105 °C 300 OR 600V, AWM STYLE 21002
UL & CSA RECOGNIZED.	
CABLES OVER .300 O.D. WILL HAVE DIFFERENT JACKET WALL REQUIREMENTS, SEE TABLES	
ROHS3 DIRECTIVE (EU) 2015/863 TO AMEND ANNEX II TO EU ROHS 2, 2011/65/EU WITH NO EXEMPTIONS	



ISOMETRIC VIEW  
FOR REFERENCE ONLY

LEGEND SPECIFICATIONS - BLACK INK PRINT		
OSCEOLA:	EnduroFLEX® XM RU AWM E54661 105C 300V or 600V CSA AWM LL54185 I/II A/B 105C 300V or 600V FT1	
SANTA TERESA:	EnduroFLEX® XM RU AWM E54661-02 105C 300V or 600V "CSA-C/US" AWM LL54185 (02) I/II A/B 105C 300V or 600V FT1	
		SHEET 1 OF 4



This document contains proprietary and confidential information of Northwire, Inc. (and its subsidiary) and shall not be used, disclosed or reproduced, in whole or in part, for any purpose without the prior written consent of Northwire, Inc. (and its subsidiary).

Disclaimer: The technical data that is made part of this document may be subject to the International Traffic in Arms Regulation (ITAR) and the Export Administration Regulations (EAR). Disclosure of technical data to Foreign Persons in the course of employment with U.S. contractors is considered an export and is subject to the ITAR and EAR export licensing requirements/regulations.

DESCRIPTION: ENDUROFLEX XM PRODUCT LINE		UNITS: IN	SCALE: 24:1	ITEM	SUB-ASSEMBLY SPECIFICATIONS
NORTHWIRE P/N: N/A					
CUSTOMER: N/A	APPR BY: NN	DWG NO: ENDUR-XM			
CUSTOMER P/N: N/A	DRAWN BY: A. SPALDING	DATE: 1/15/2014	REV: I		

**COLOR CODE CHART**

2 POLE	BROWN, BLUE
3 POLE	BROWN, BLUE, BLACK
4 POLE	BROWN, WHITE, BLUE, BLACK
5 POLE	BROWN, WHITE, BLUE, BLACK, GRAY
6 POLE	BROWN, WHITE, BLUE, BLACK, GRAY, PINK
7 POLE	WHITE, BROWN, GREEN, YELLOW, GRAY, PINK, BLUE
8 POLE	WHITE, BROWN, GREEN, YELLOW, GRAY, PINK, BLUE, RED
9 POLE	WHITE, BROWN, GREEN, YELLOW, GRAY, PINK, BLUE, RED, BLACK
10 POLE	WHITE, BROWN, GREEN, YELLOW, GRAY, PINK, BLUE, RED, BLACK, VIOLET
11 POLE	WHITE, BROWN, GREEN, YELLOW, GRAY, PINK, BLUE, RED, BLACK, VIOLET, GRAY/PINK
12 POLE	WHITE, BROWN, GREEN, YELLOW, GRAY, PINK, BLUE, RED, BLACK, VIOLET, GRAY/PINK, RED/BLUE
16 POLE	WHITE, BROWN, GREEN, YELLOW, GRAY, PINK, BLUE, RED, BLACK, VIOLET, GRAY/PINK, RED/BLUE, WHITE/GREEN, BROWN/GREEN, WHITE/YELLOW, YELLOW/BROWN
19 POLE	WHITE, BROWN, GREEN, YELLOW, GRAY, PINK, BLUE, RED, BLACK, VIOLET, GRAY/PINK, RED/BLUE, WHITE/GREEN, BROWN/GREEN, WHITE/YELLOW, YELLOW/BROWN, WHITE/GRAY, GRAY/BROWN, WHITE/PINK
25 POLE	WHITE, BROWN, GREEN, YELLOW, GRAY, PINK, BLUE, RED, BLACK, VIOLET, GRAY/PINK, RED/BLUE, WHITE/GREEN, BROWN/GREEN, WHITE/YELLOW, YELLOW/BROWN, WHITE/GRAY, GRAY/BROWN, WHITE/PINK, PINK/BROWN, WHITE/BLUE, BROWN/BLUE, WHITE/RED, BROWN/RED, WHITE/BLACK



This document contains proprietary and confidential information of Northwire, Inc. (and its subsidiary) and shall not be used, disclosed or reproduced, in whole or in part, for any purpose without the prior written consent of Northwire, Inc. (and its subsidiary).

Disclaimer: The technical data that is made part of this document may be subject to the International Traffic in Arms Regulation (ITAR) and the Export Administration Regulations (EAR). Disclosure of technical data to Foreign Persons in the course of employment with U.S. contractors is considered an export and is subject to the ITAR and EAR export licensing requirements/regulations.

DESCRIPTION: ENDUROFLEX XM PRODUCT LINE		UNITS: IN	SCALE: 24:1	ITEM	SUB-ASSEMBLY SPECIFICATIONS
NORTHWIRE P/N: N/A		APPR BY: NN		DWG NO: ENDUR-XM	
CUSTOMER: N/A		DRAWN BY: A. SPALDING		DATE: 1/15/2014 REV: I	
CUSTOMER P/N: N/A					
				*	30 MILS MIN. AVERAGE JACKET WALL/24 MILS MIN. AT ANY POINT
				+	35 MILS MIN. AVERAGE JACKET WALL/28 MILS MIN. AT ANY POINT
				+	40 MILS MIN. AVERAGE JACKET WALL/34 MILS MIN. AT ANY POINT
				-	45 MILS MIN. AVERAGE JACKET WALL/38 MILS MIN. AT ANY POINT
				#	50 MILS MIN. AVERAGE JACKET WALL/44 MILS MIN. AT ANY POINT

AWG	COND.	FILLER	JACKET WT	CORE O.D.	O.D.	INNER WT	INNER OD	NWI P/N
26	3	YES	.030	.090±.005"	.155±.005"	.009	.039±.002	FXM263-001 (N)
26	4	YES	.030	.100±.005"	.165±.005"	.009	.039±.002	FXM264-001 (N)
24	3	YES	.030	.105±.005"	.170±.005"	.009	.044±.002	FXM243-001 (N)
24	4	YES	.030	.115±.005"	.180±.005"	.009	.044±.002	FXM244-001 (N)
24	6	YES	.030	.140±.005"	.205±.005"	.009	.044±.002	FXM246-001 (N)
24	8	YES	.030	.155±.005"	.220±.005"	.009	.044±.002	FXM248-001 (N)
22	4	YES	.030	.130±.005"	.195±.005"	.009	.050±.002	FXM224-001 (N)
22	5	YES	.030	.145±.005"	.210±.005"	.009	.050±.002	FXM225-001 (N)
22	6	YES	.030	.160±.005"	.225±.005"	.009	.050±.002	FXM226-001 (N)
22	8	YES	.030	.175±.005"	.240±.005"	.009	.050±.002	FXM228-001 (N)
20	2	YES	.030	.124±.005"	.190±.005"	.009	.057±.002	FXM202-001 (N)
20	3	YES	.030	.130±.005"	.195±.005"	.009	.057±.002	FXM203-001 (N)
20	4	YES	.030	.145±.005"	.210±.005"	.009	.057±.002	FXM204-001 (N)
20	5	YES	.030	.160±.005"	.225±.005"	.009	.057±.002	FXM205-001 (N)
20	6	YES	.030	.180±.005"	.245±.005"	.009	.057±.002	FXM206-001 (N)
20	8	YES	.030	.200±.005"	.265±.005"	.009	.057±.002	FXM208-001 (N)
20	12	NO	.030	.245±.005"	.310±.005"	.009	.057±.002	FXM2012-001 (N)
*20	16	YES	.035	.275±.005"	.350±.005"	.009	.057±.002	FXM2016-001 (N)
+20	25	YES	.040	.350±.010"	.435±.010"	.009	.057±.002	FXM2025-001 (N)
18	2	YES	.030	.150±.005"	.215±.005"	.009	.070±.002	FXM182-001 (N)
18	3	YES	.030	.160±.005"	.220±.005"	.009	.070±.002	FXM183-001 (N)
18	4	YES	.030	.180±.005"	.245±.005"	.009	.070±.002	FXM184-001 (N)
18	5	YES	.030	.200±.005"	.260±.005"	.009	.070±.002	FXM185-001 (N)
18	6	YES	.030	.220±.005"	.285±.005"	.009	.070±.002	FXM186-001 (N)
*18	8	YES	.035	.245±.005"	.320±.005"	.009	.070±.002	FXM188-001 (N)
*18	12	NO	.035	.300±.007"	.375±.007"	.009	.070±.002	FXM1812-001 (N)
+18	16	YES	.040	.340±.010"	.425±.010"	.009	.070±.002	FXM1816-001 (N)
-18	19	NO	.045	.360±.010"	.455±.010"	.009	.070±.002	FXM1819-001 (N)
#18	25	YES	.050	.430±.010"	.535±.010"	.009	.070±.002	FXM1825-001 (N)



This document contains proprietary and confidential information of Northwire, Inc. (and its subsidiary) and shall not be used, disclosed or reproduced, in whole or in part, for any purpose without the prior written consent of Northwire, Inc. (and its subsidiary).

Disclaimer: The technical data that is made part of this document may be subject to the International Traffic in Arms Regulation (ITAR) and the Export Administration Regulations (EAR). Disclosure of technical data to Foreign Persons in the course of employment with U.S. contractors is considered an export and is subject to the ITAR and EAR export licensing requirements/regulations.

DESCRIPTION: ENDUROFLEX XM PRODUCT LINE		UNITS: IN	SCALE: 60:1	ELECTRICAL REQUIREMENTS
NORTHWIRE P/N: N/A				NONE SPECIFIED
CUSTOMER: N/A	APPR BY: NN	DWG NO: ENDUR-XM		
CUSTOMER P/N: N/A	DRAWN BY: A. SPALDING	DATE: 1/15/2014	REV: I	



MECHANICAL REQUIREMENTS
10 MILLION TORSIONAL FLEX TEST

UPDATE TO LATEST SW TEMPLATE; CHANGE JACKET COMPOUND FROM CMTE-105-050 TO CMTE-105-075	I	9960 9964	1/23/20	KGL
INSULATION WAS POLYESTER HYTREL; CONDUCTOR O.D. CHANGED ON 26 - 20 AWG; CORE AND FINISHED O.D. CHANGES AS NEEDED	H		5/27/16	DPL
UPDATED LEGEND TO CURRENT VERSION	G		6/6/2014	NAS
UPDATED JACKET WALL THICKNESSES	F		3/14/2014	NAS
REDRAW IN SOLIDWORKS, ADDED TOLERANCES	E		1/15/2014	NAS
REVISION RECORD	REV.	ECR NO.	REV DATE	APR
REVISIONS				