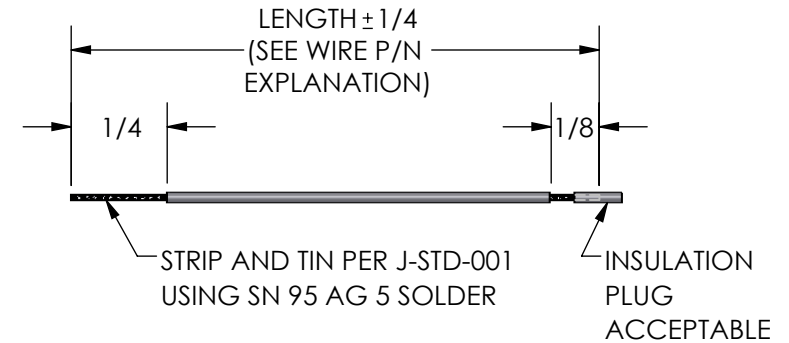


DASH NO.	COLOR	TRACER	DASH NO.	COLOR	TRACER	DASH NO.	COLOR	TRACER
00	BLACK	NONE	30	ORANGE	BLACK	60	BLUE	BLACK
01	BLACK	BROWN	31	ORANGE	BROWN	61	BLUE	BROWN
02	BLACK	RED	32	ORANGE	RED	62	BLUE	RED
03	BLACK	ORANGE	33	ORANGE	NONE	63	BLUE	ORANGE
04	BLACK	YELLOW	34	ORANGE	YELLOW	64	BLUE	YELLOW
05	BLACK	GREEN	35	ORANGE	GREEN	65	BLUE	GREEN
06	BLACK	BLUE	36	ORANGE	BLUE	66	BLUE	NONE
07	BLACK	VIOLET	37	ORANGE	VIOLET	67	BLUE	VIOLET
08	BLACK	GREY	38	ORANGE	GREY	68	BLUE	GREY
09	BLACK	WHITE	39	ORANGE	WHITE	69	BLUE	WHITE
10	BROWN	BLACK	40	YELLOW	BLACK	70	VIOLET	BLACK
11	BROWN	NONE	41	YELLOW	BROWN	71	VIOLET	BROWN
12	BROWN	RED	42	YELLOW	RED	72	VIOLET	RED
13	BROWN	ORANGE	43	YELLOW	ORANGE	73	VIOLET	ORANGE
14	BROWN	YELLOW	44	YELLOW	NONE	74	VIOLET	YELLOW
15	BROWN	GREEN	45	YELLOW	GREEN	75	VIOLET	GREEN
16	BROWN	BLUE	46	YELLOW	BLUE	76	VIOLET	BLUE
17	BROWN	VIOLET	47	YELLOW	VIOLET	77	VIOLET	NONE
18	BROWN	GREY	48	YELLOW	GREY	78	VIOLET	GREY
19	BROWN	WHITE	49	YELLOW	WHITE	79	VIOLET	WHITE
20	RED	BLACK	50	GREEN	BLACK	80	GRAY	BLACK
21	RED	BROWN	51	GREEN	BROWN	81	GRAY	BROWN
22	RED	NONE	52	GREEN	RED	82	GRAY	RED
23	RED	ORANGE	53	GREEN	ORANGE	83	GRAY	ORANGE
24	RED	YELLOW	54	GREEN	YELLOW	84	GRAY	YELLOW
25	RED	GREEN	55	GREEN	NONE	85	GRAY	GREEN
26	RED	BLUE	56	GREEN	BLUE	86	GRAY	BLUE
27	RED	VIOLET	57	GREEN	VIOLET	87	GRAY	VIOLET
28	RED	GREY	58	GREEN	GREY	88	GRAY	NONE
29	RED	WHITE	59	GREEN	WHITE	89	GRAY	WHITE

DASH NO.	COLOR	TRACER
90	WHITE	BLACK
91	WHITE	BROWN
92	WHITE	RED
93	WHITE	ORANGE
94	WHITE	YELLOW
95	WHITE	GREEN
96	WHITE	BLUE
97	WHITE	VIOLET
98	WHITE	GREY
99	WHITE	NONE

CHANGE HISTORY				
REV	DESCRIPTION	DATE	DRAWN	APPROVED
A	RELEASE	4/9/84	DARB	DARB
B	7990-2527	1/16/95	-	DARB
B1	ADDED ETCH REQUIREMENT	5/7/04	-	DDA
B2	ECN 3866-SSC	1/16/13	-	PDC
C0	ECN 6121	4/25/17	JDD	BSJ
D0	ECN 6394	6/4/18	DK	RJS



SPECIFICATIONS

1.0 GENERAL

- 1.1 30 AWG
- 1.2 TEMP. RANGE: -65°C TO +200°C
- 1.3 PER MIL-W-16878/6

2.0 CONDUCTORS

- 2.1 STRANDING: 7 X 38
- 2.2 CONDUCTOR O.D.: .012 (NOMINAL)

3.0 INSULATION

- 3.1 TYPE: ETCHED, TEFLON TYPE ET PER MIL-W-16878/6
- 3.2 WALL THICKNESS: .006 REF.
- 3.3 FINISHED WIRE DIA: .022 - .026
- 3.4 VOLTAGE RATING: 250 VOLTS

EXPLANATION OF WIRE PART NO.

7040-5354-XXXX

TE WIRE COLOR NUMBER

(SEE TABLE ABOVE)

EXAMPLE: -22 = RED

-00 = BLACK

TE WIRE LENGTH (IN INCHES)

EXAMPLE: 12 = 12 INCHES

06 = 6 INCHES

SP = SPOOL

ETCHING REQUIREMENT:

REMOVE 2 FEET MINIMUM FROM EACH END OF ORIGINAL WIRE AFTER ETCHING TO PREVENT ETCHANT FROM WICKING ONTO CONDUCTOR.

EAR CONTROL		NAME		DATE	
TECHNICAL INFORMATION SUBJECT TO EXPORT ADMINISTRATION REGULATIONS (EAR). THIS TECHNICAL INFORMATION IS PROHIBITED FROM TRANSFER OR DISCLOSURE IN ANY MANNER TO NON-U.S. PERSONS IN THE UNITED STATES OR ABROAD WITHOUT PRIOR APPROVAL BY THE U.S. COMMERCE DEPARTMENT OR APPLICABLE EAR EXEMPTION.		DRAWN	DARB	4/9/84	
PROPRIETARY AND CONFIDENTIAL THE INFORMATION CONTAINED IN THIS DRAWING IS THE SOLE PROPERTY OF TE CONNECTIVITY. ANY REPRODUCTION IN PART OR AS A WHOLE WITHOUT THE WRITTEN PERMISSION OF TE CONNECTIVITY IS PROHIBITED.		CHECKED			
		ENG APPR.			
		MFG APPR.			
DIMENSIONS ARE IN INCHES TOLERANCES ANGULAR $\pm 2^\circ$		TWO PLACE DECIMAL $\pm .01$ THREE PLACE DECIMAL $\pm .005$ FOUR PLACE DECIMAL $\pm .0005$		Q.A.	
MATERIAL NOTED		FINISH NONE		DO NOT SCALE DRAWING	
Information in this box is for Engineering Reference Only		CAGE CODE 5W885		DWG. NO. 7040-5354	



WIRE - HOOKUP