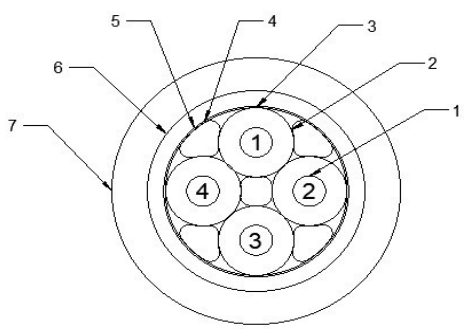


REV. 0	DESCRIPTION Initial release	DATE 1/23/2018
-----------	--------------------------------	-------------------

Color Code	
Cond 1	Black
Cond 2	White
Cond 3	Red
Cond 4	Green



Item	Component	Description	Thickness				Dimensions						
			<>	inch		mm		<>	inch		mm		
				Nom	Min	Nom	Min		Nom	Tol	Nom	Tol	
1	Conductor:	18 AWG 19/30 Tinned Copper											
2	Insulation:	EXAR MMT		0.032	0.030	0.81	0.76	<D>	0.112	0.002	2.84	0.05	
3	Cable:	Twist Four 18 AWG Primaries							0.270	0.010	6.87	0.25	
4	Filler	Polypropylene							0.060				
5	Tape:	Polyester		0.001		0.03	NA		0.274	0.010	6.96	0.25	
6	Braid:	TC 85% Min Coverage							0.324	0.012	8.24	0.30	
7	Jacket:	EXRAD MMT		0.0520	0.046	1.32	1.17		0.428	0.018	10.88	0.46	

Print: CHAMPLAIN CABLE EXAR 4C 18 AWG -40C/110C 600 VOLTS  
 FT4 XLPO -40C/110C 600V MM/YYYY XXXXX  
 MM=MONTH, YYYY=YEAR, XXXXX= TRAVELER #

Meets Applicable Requirement of: NFPA-130 Smoke Inex and Flame propagation  
 Meets Applicable Requirement of: AAR Standard RP-585

Temperature Range: -40° C to +110° C  
 Voltage Rating: 600 volts  
 Min Static Bend Radius: inches mm  
 3.0 76

	TITLE	4 CONDUCTOR 18 AWG OS MMT
--	-------	---------------------------

Special Characteristics <S> Safety <D> Dimensional	DRN.	R. TRAHAN	DATE	1/23/2018
	CKD.		DATE	
DO NOT SCALE THIS DRAWING	SIZE A	PART NUMBER	DOCUMENT NUMBER	17502