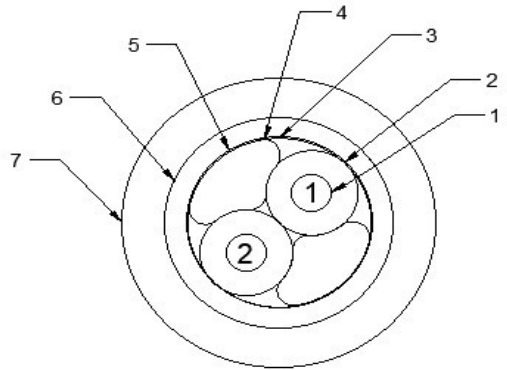


REV. 0	DESCRIPTION Initial release	DATE 1/21/2019
-----------	--------------------------------	-------------------

Color Code	
Cond 1-2	Black-White



Item	Component	Description	Thickness				Dimensions				
			inch		mm		inch		mm		
			Nom	Min	Nom	Min	Nom	Tol	Nom	Tol	
1	Conductor:	18 AWG 19/30 Tinned Copper						0.048	0.001	1.22	0.03
2	Insulation:	EXAR MMT	0.032	0.030	0.81	0.76	<D>	0.112	0.002	2.84	0.05
3	Cable:	Twist 18 AWG Primaries						0.222	0.008	5.63	0.20
4	Filler	Polypropylene						0.100			
5	Tape:	Polyester	0.001		0.03	NA		0.225	0.008	5.72	0.20
6	Braid:	TC 85% Min Coverage						0.276	0.010	7.00	0.25
7	Jacket:	EXRAD MMT	0.052	0.048	1.32	1.22		0.380	0.018	9.64	0.46

Print: CHAMPLAIN CABLE EXAR 2C 18 AWG -40C/110C 600 VOLTS
 FT4 XLPO -40C/110C 600V MM/YYYY XXXXX
 MM=MONTH, YYYY=YEAR, XXXXX= TRAVELER #

Meets Applicable Requirement of NFPA-130 for Smoke Index and Flame Propagation
 Meets Applicable Requirement of AAR Standard RP-585

Temperature Range: -40° C to +110° C
 Voltage Rating: 600V
 Min Static Bend Radius: inches mm
 2.7 68

	TITLE
	2 CONDUCTOR 18 AWG TP OS MMT

Special Characteristics <S> Safety <D> Dimensional	DRN. R. TRAHAN	DATE 1/23/2018
	CKD.	DATE
DO NOT SCALE THIS DRAWING	SIZE A	PART NUMBER 17503
		DOCUMENT NUMBER 17503