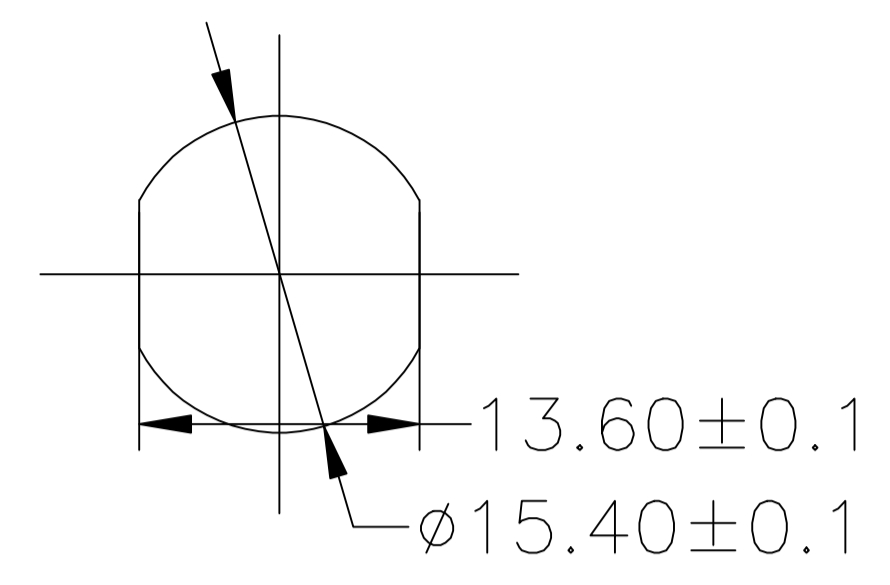


PROJECT NO:
SGNYD1709064-9

REV	DESCRIPTION	DATE	APPROVED
S0	CREATED DRAWING	2018/07/20	WANG

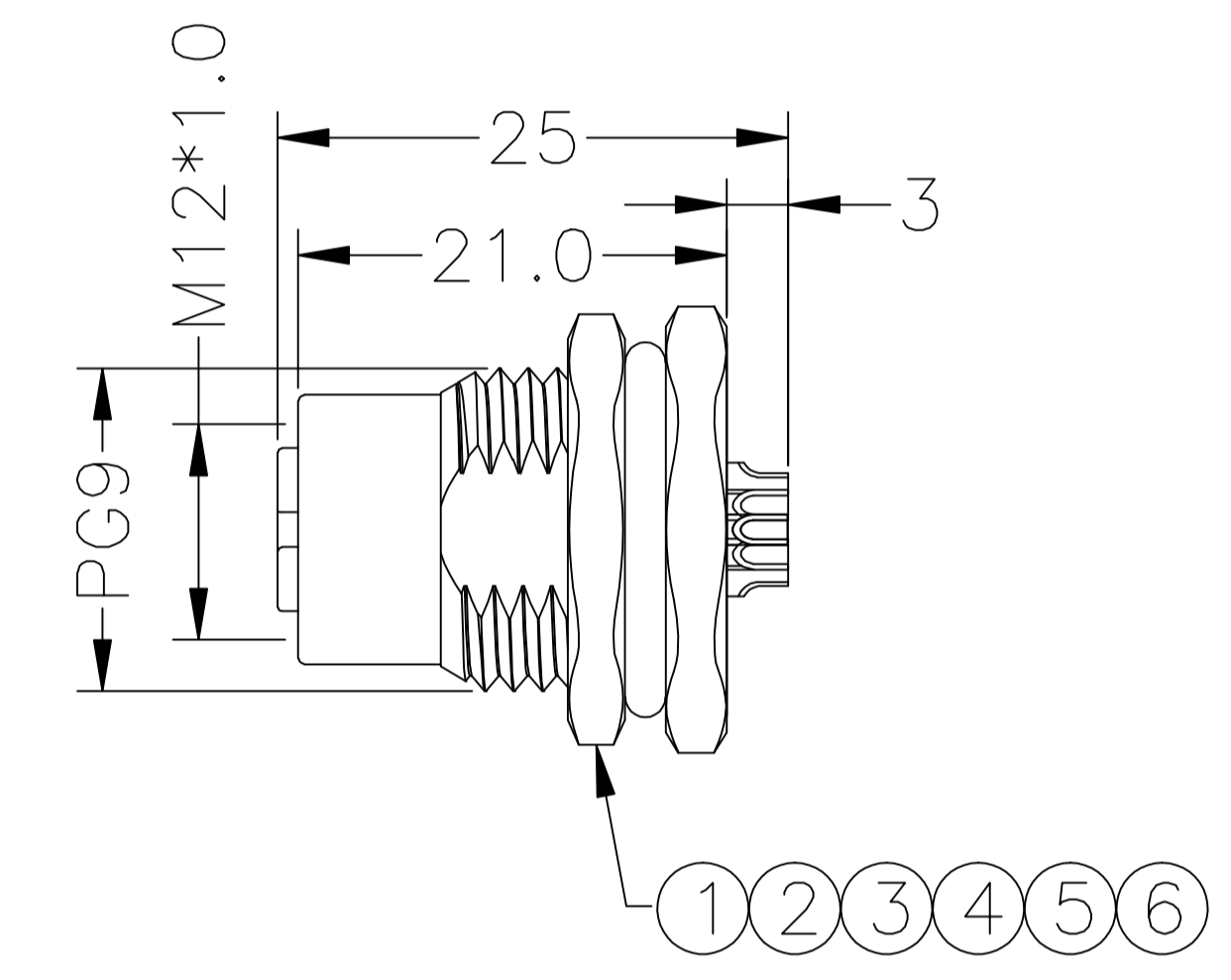
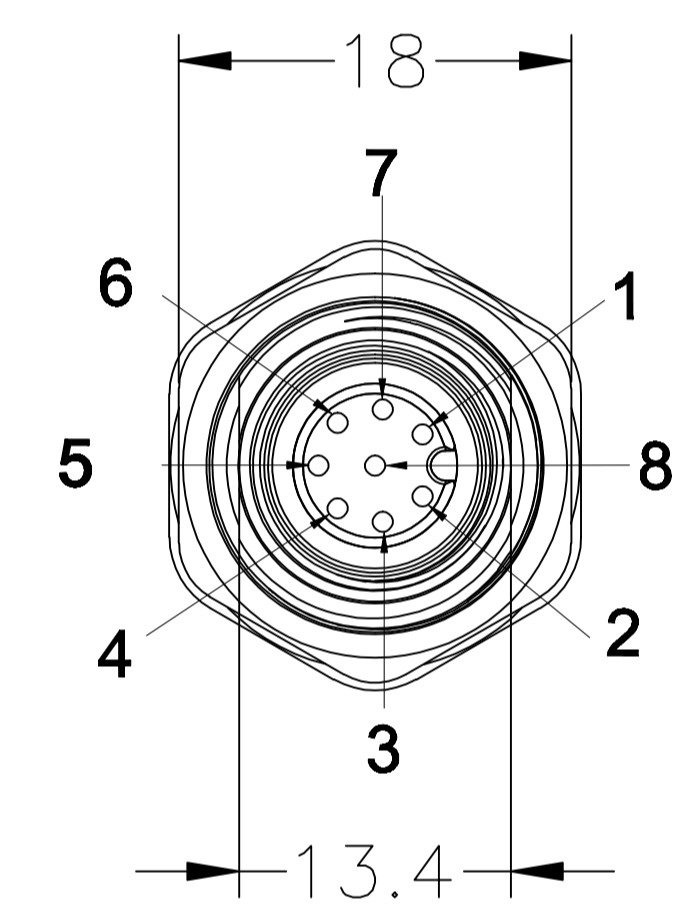


RECOMMEND
PANEL CUT-OUT

Detailed Product Description:
Waterproof connector rating is IP68
They can not be used permanently under water.

Connector Electrical character
Rating voltage: 30V AC/DC ,
Insulation resistance: >100MΩ
Rating current : 2A
Contact resistance of connector ≤5mΩ
Mechanical characteristics: mating / cycle >100 cycle
Operating temperature: -25°C ~ +85°

*ALL MATERIALS ARE RoHS COMPLIANT.



⑥	GL00002	BLACK GLUE A/B (ETHOXYLINE RESIN)	2	g
⑤	OR00012	O-Ring GREEN FKM $\phi 7.0 \times \phi 1.5 \text{mm}$	1	PCS
④	OR00008	O-Ring GREEN FKM $\phi 13.0 \times \phi 2.0 \text{mm}$	1	PCS
③	NU00006	PG9 STAINLESS STEEL L*W=2.8*18mm	1	PCS
②	WK00120	M12 STAINLESS STEEL ,FEMALE(PG9) L=21.0mm	1	PCS
①	N/A	M12 A CODING 8PIN FEMALE CONNECTOR SHORT STYLE	1	SET
ITEM	PART NO.	SPECIFICATION	Q'TY	UNIT

SIGNAL[®]
Shenzhen Signal Electronics Co., LTD

DRAWN BY	DATE
CHECKED BY	DATE
APPROVED BY	DATE

THE INFORMATION CONTAINED IN THIS DRAWING IS THE SOLE PROPERTY OF SIGNAL COMPANY. ANY REPRODUCTION IN PART OR WHOLE WITHOUT THE WRITTEN PERMISSION OF SIGNAL COMPANY IS PROHIBITED.

TITLE M12 8P/F FRONT MOUNT (PG9) CONNECTOR		REV.
SGN NO	120108-04-007	S0
DWG NO		
CUSTOMER		
TOLERANCES ARE:	THIRD ANGLE PROJECTION	
DECIMALES	ANGLES	SIZE: A4 UNITS: mm
.x ±0.5	x: ±2.0°	SCALE:
.xx ±0.20	.x' ±1.0°	SHEET: 1 OF 1