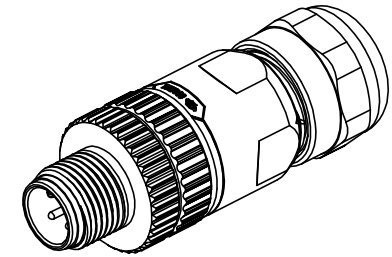
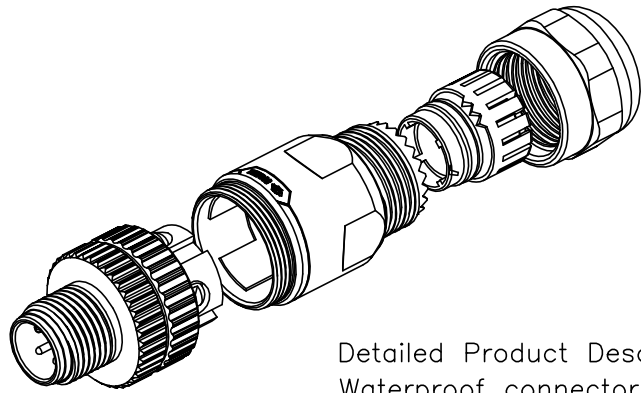


REV	DESCRIPTION	DATE	APPROVED
A0	CREATED DRAWING	2015/08/27	ZERA

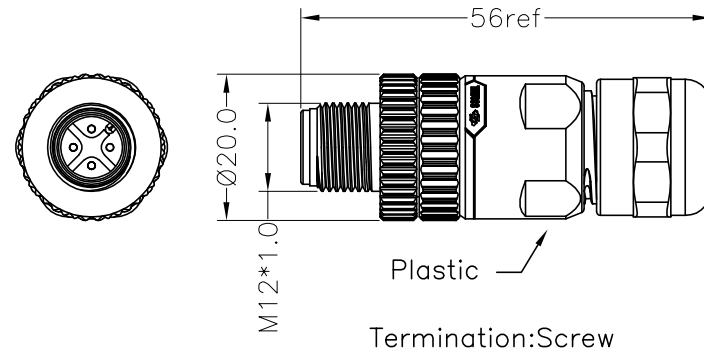


Detailed Product Description:
 Waterproof connector rating is IP67/IP68
 Protected from dust and water during immersion,
 resistant to many oils and chemical etc

Other Specification
 Contact PIN: Brass with Gold plating.
 Coupling nut/screw: 6061-t6 aluminum
 Insulation plastic: PA66+GF
 Degree of protection: IP67/IP68
 Operating temperature: -25° ~ +85°

According to IEC61076-1-101

*ALL MATERIALS ARE RoHS COMPLIANT.



Electrical character

Part Number	Contacts	Rated voltage		Rated current	Contact Resistance	Cable OD (mm)
		A/C	D/C			
AS12AM03009		250V	250V	4A	10mΩ	3~8
AS12AM04009		250V	250V	4A	10mΩ	3~8
AS12AM05009		60V	60V	4A	10mΩ	3~8
AS12AM08009		30V	30V	2A	10mΩ	3~8

 Shenzhen Signal Electronics Co., LTD		TITLE M12 assembly male connector (plastic)	
		SGN NO	REV.
DRAWN BY		DWG NO AS12AM03~08009	
CHECKED BY		CUSTOMER	
APPROVED BY		DATE	
<small>THE INFORMATION CONTAINED IN THIS DRAWING IS THE SOLE PROPERTY OF SIGNAL COMPANY. ANY REPRODUCTION IN PART OR WHOLE WITHOUT THE WRITTEN PERMISSION OF SIGNAL COMPANY IS PROHIBITED.</small>		TOLERANCES ARE: DECIMALES .x ±0.5 ANGLES x.' ±2.0'	THIRD ANGLE PROJECTION
		.xx ±0.20 .x' ±1.0'	SIZE: A4 UNITS: mm SCALE: SHEET: 1 OF 1