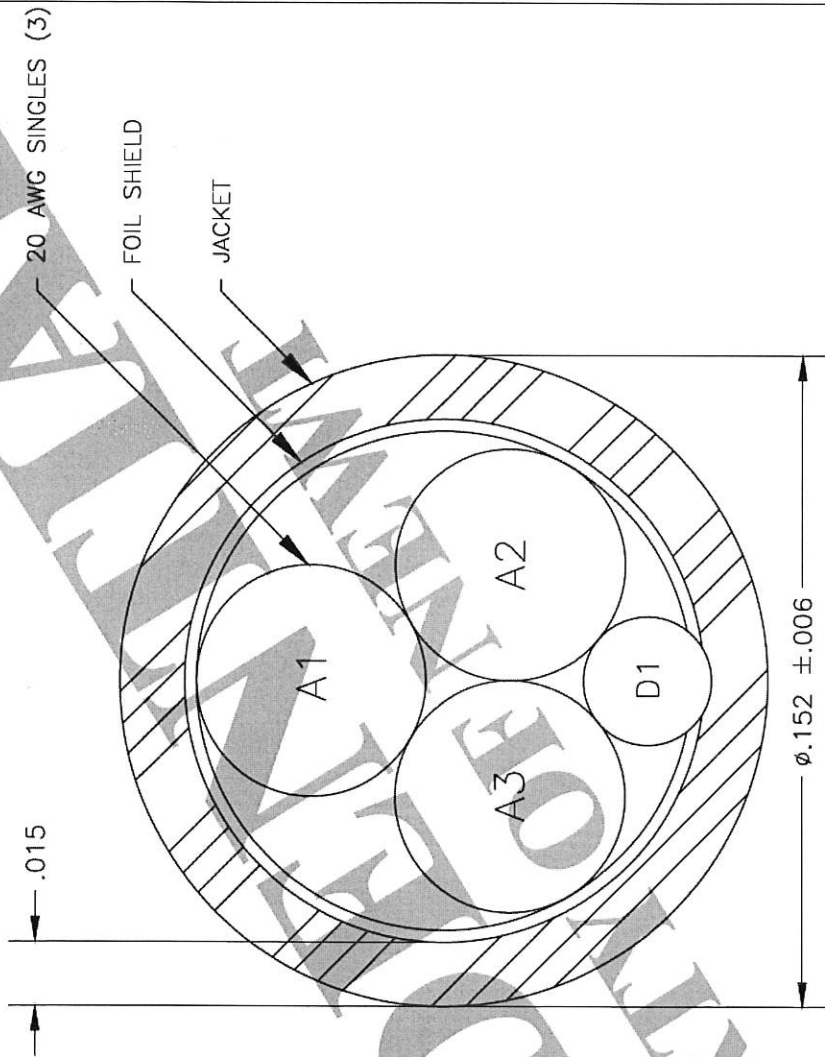


DRAWING #:	P1905066	SHEET:	1	NEW PART:	PRELIMINARY
REV.	-	DCN #	-	DESCRIPTION:	INITIAL DRAFT
BY:	JRC	DATE:	05/28/2019		

REVISIONS

UNCONTROLLED COPY FOR
PRELIMINARY DESIGN USE ONLY



20 AWG SINGLES (3):
 20 AWG 26/34 BARE COPPER, .0085" ETFE TO .054" +/- .002" OD
 CABLE THREE 20 AWG SINGLES WITH 22 AWG 7/30 BARE COPPER DRAIN WIRE IN AN INTERSTICE
 FOIL SHIELD:
 .0015" ALUMINUM/POLYESTER TAPE WRAP, 50% LAP (FOIL SIDE IN)

JACKET:
 .015" ETFE JACKET TO .152" +/- .006" OD
 NOTE: JACKET WILL SHOW CONVOLUTIONS, WILL NOT BE SMOOTH AND ROUND

COLOR CODING:
 20 AWG SINGLES:
 A1 = TBD
 A2 = TBD
 A3 = TBD
 DRAIN WIRE:
 D1 = BARE COPPER
 JACKET = BLACK

ACTUAL SIZE			
		3 CONDUCTOR CABLE NEW PART: PRELIMINARY REV: -	
TITLE: NEW ENGLAND WIRE TECHNOLOGIES CAGE NUMBER/SCALE: 74116 NONE DO NOT SCALE PRINTS		SIZE: SHEET SET: A 1 OF 1	
PROD. BY: J. CLOUGH DRAWING #: P1905066		ALL DIMENSIONS ARE IN INCHES UNLESS OTHERWISE SPECIFIED	
ENG.		THE ENTIRE INFORMATION CONTAINED HEREON IS THE PROPERTY OF NEW ENGLAND WIRE TECHNOLOGIES CORPORATION IN LISBON, NH AND MAY NOT BE REPRODUCED OR USED WITHOUT PERMISSION OF NEW ENGLAND WIRE TECHNOLOGIES CORPORATION 130 NORTH MAIN STREET, LISBON, NEW HAMPSHIRE 03585	