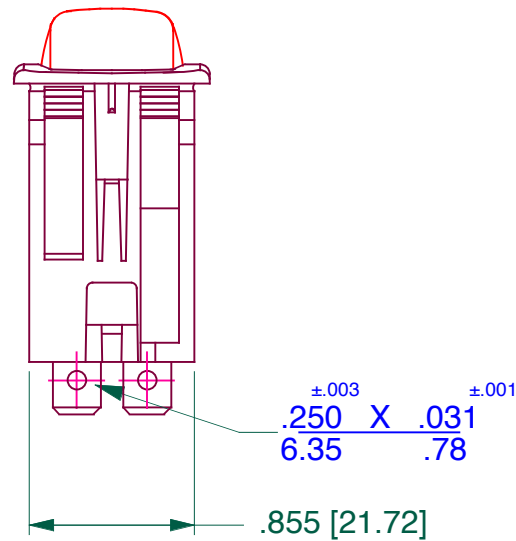
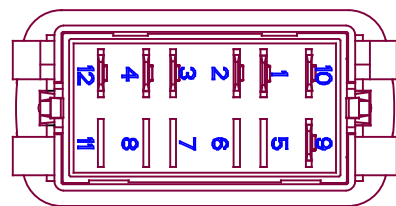
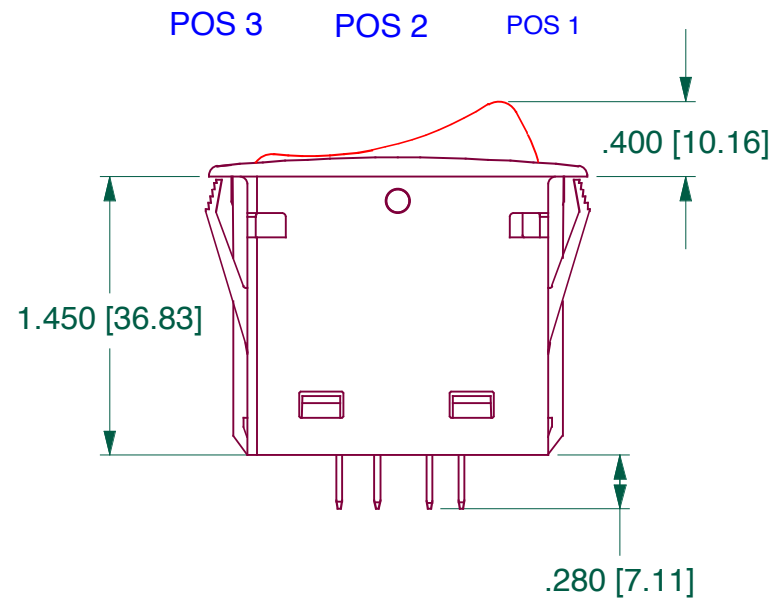
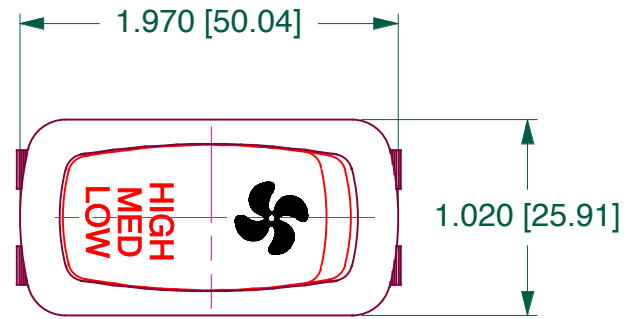
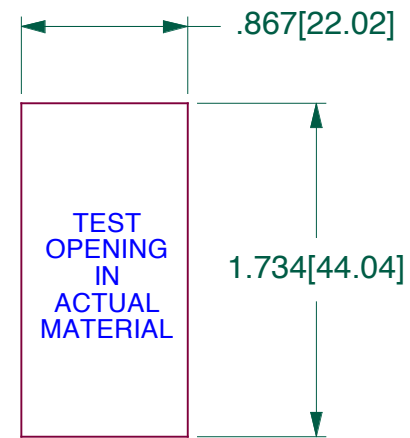


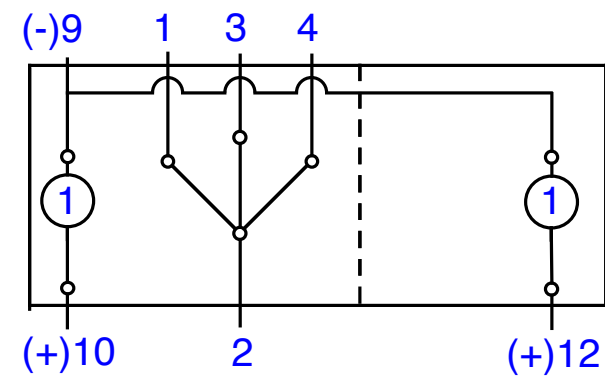
DO NOT SCALE DRAWING WORK TO FIGURES



DWG NO. L58E1CXX1-3AAAF-17R-XBLU1
REV. 1



SWITCH MOUNTING HOLE



CIRCUIT DIAGRAM

LET	REVISIONS	DATE
	RELEASED	

RATING

15A	----	12V
-----	------	-----

SWITCH FUNCTION

POS 1	POS 2	POS 3
ON	ON	ON
2&4	2&3	1&2

- NOTES:**
- BRACKET IS BLACK NYLON
ROCKER IS BLACK PAINTED POLYCARBONATE
 - LASER ETCHED IMAGE ON ROCKER IS WHITE
 - 12V BLUE LEDS

DIMENSIONS SUBJECT TO CHANGE WITHOUT NOTICE		FINISH _____		 Carling Technologies® Innovative Designs. Powerful Solutions.			
PROPRIETARY NOTE: NOTICE TO ALL PERSONS RECEIVING THIS DRAWING. THIS DOCUMENT IS THE PROPERTY OF CARLING TECHNOLOGIES, INC. AND IS NOT TO BE DISCLOSED, REPRODUCED IN WHOLE OR IN PART OR USED FOR MANUFACTURING PURPOSES BY ANYONE WITHOUT THE CONSENT OF CARLING TECHNOLOGIES, INC.	UNSPECIFIED TOLERANCES FRAC. ±1/64 X.XXX ±.015 ANGLES ±1°	TOOL NO.	REV	TITLE L SERIES			
		DR BY HELBIG	DATE 3-13-19				
		PROJECTIONS 	DIMENSIONS IN [mm]	CHK BY	DATE	SIZE B	DWG NO. L58E1CXX1-3AAAF-17R-XBLU1
				APPD BY	DATE	USED ON L-SERIES	SCALE: 1:1
				SHT 1	OF 1		