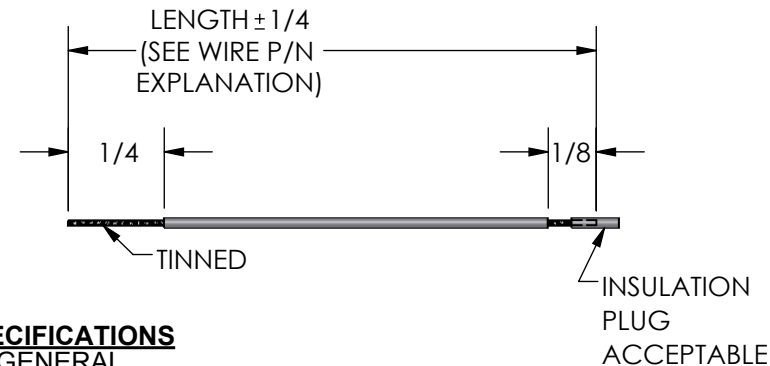


| DASH NO. | COLOR | TRACER | DASH NO. | COLOR  | TRACER | DASH NO. | COLOR  | TRACER | DASH NO. | COLOR | TRACER |
|----------|-------|--------|----------|--------|--------|----------|--------|--------|----------|-------|--------|
| 00       | BLACK | NONE   | 30       | ORANGE | BLACK  | 60       | BLUE   | BLACK  | 90       | WHITE | BLACK  |
| 01       | BLACK | BROWN  | 31       | ORANGE | BROWN  | 61       | BLUE   | BROWN  | 91       | WHITE | BROWN  |
| 02       | BLACK | RED    | 32       | ORANGE | RED    | 62       | BLUE   | RED    | 92       | WHITE | RED    |
| 03       | BLACK | ORANGE | 33       | ORANGE | NONE   | 63       | BLUE   | ORANGE | 93       | WHITE | ORANGE |
| 04       | BLACK | YELLOW | 34       | ORANGE | YELLOW | 64       | BLUE   | YELLOW | 94       | WHITE | YELLOW |
| 05       | BLACK | GREEN  | 35       | ORANGE | GREEN  | 65       | BLUE   | GREEN  | 95       | WHITE | GREEN  |
| 06       | BLACK | BLUE   | 36       | ORANGE | BLUE   | 66       | BLUE   | NONE   | 96       | WHITE | BLUE   |
| 07       | BLACK | VIOLET | 37       | ORANGE | VIOLET | 67       | BLUE   | VIOLET | 97       | WHITE | VIOLET |
| 08       | BLACK | GREY   | 38       | ORANGE | GREY   | 68       | BLUE   | GREY   | 98       | WHITE | GREY   |
| 09       | BLACK | WHITE  | 39       | ORANGE | WHITE  | 69       | BLUE   | WHITE  | 99       | WHITE | NONE   |
| 10       | BROWN | BLACK  | 40       | YELLOW | BLACK  | 70       | VIOLET | BLACK  |          |       |        |
| 11       | BROWN | NONE   | 41       | YELLOW | BROWN  | 71       | VIOLET | BROWN  |          |       |        |
| 12       | BROWN | RED    | 42       | YELLOW | RED    | 72       | VIOLET | RED    |          |       |        |
| 13       | BROWN | ORANGE | 43       | YELLOW | ORANGE | 73       | VIOLET | ORANGE |          |       |        |
| 14       | BROWN | YELLOW | 44       | YELLOW | NONE   | 74       | VIOLET | YELLOW |          |       |        |
| 15       | BROWN | GREEN  | 45       | YELLOW | GREEN  | 75       | VIOLET | GREEN  |          |       |        |
| 16       | BROWN | BLUE   | 46       | YELLOW | BLUE   | 76       | VIOLET | BLUE   |          |       |        |
| 17       | BROWN | VIOLET | 47       | YELLOW | VIOLET | 77       | VIOLET | NONE   |          |       |        |
| 18       | BROWN | GREY   | 48       | YELLOW | GREY   | 78       | VIOLET | GREY   |          |       |        |
| 19       | BROWN | WHITE  | 49       | YELLOW | WHITE  | 79       | VIOLET | WHITE  |          |       |        |
| 20       | RED   | BLACK  | 50       | GREEN  | BLACK  | 80       | GRAY   | BLACK  |          |       |        |
| 21       | RED   | BROWN  | 51       | GREEN  | BROWN  | 81       | GRAY   | BROWN  |          |       |        |
| 22       | RED   | NONE   | 52       | GREEN  | RED    | 82       | GRAY   | RED    |          |       |        |
| 23       | RED   | ORANGE | 53       | GREEN  | ORANGE | 83       | GRAY   | ORANGE |          |       |        |
| 24       | RED   | YELLOW | 54       | GREEN  | YELLOW | 84       | GRAY   | YELLOW |          |       |        |
| 25       | RED   | GREEN  | 55       | GREEN  | NONE   | 85       | GRAY   | GREEN  |          |       |        |
| 26       | RED   | BLUE   | 56       | GREEN  | BLUE   | 86       | GRAY   | BLUE   |          |       |        |
| 27       | RED   | VIOLET | 57       | GREEN  | VIOLET | 87       | GRAY   | VIOLET |          |       |        |
| 28       | RED   | GREY   | 58       | GREEN  | GREY   | 88       | GRAY   | NONE   |          |       |        |
| 29       | RED   | WHITE  | 59       | GREEN  | WHITE  | 89       | GRAY   | WHITE  |          |       |        |

| CHANGE HISTORY |                        |         |       |          |
|----------------|------------------------|---------|-------|----------|
| REV            | DESCRIPTION            | DATE    | DRAWN | APPROVED |
| A              | RELEASE                | 4/9/84  | DARB  | DARB     |
| B              | 7990-2527              | 1/16/95 | -     | DARB     |
| B1             | ADDED ETCH REQUIREMENT | 5/7/04  | -     | DDA      |
| B2             | ECN 3866-SSC           | 1/16/13 | -     | PDC      |
| C0             | ECN 6121               | 4/25/17 | JDD   | BSJ      |



### SPECIFICATIONS

#### 1.0 GENERAL

1.1 30 AWG

1.2 TEMP. RANGE: -65°C TO +200°C

#### 2.0 CONDUCTORS

2.1 STRANDING: 7 X 38

2.2 O.D. OVER STRANDS: .013

#### 3.0 INSULATION

3.1 TYPE: ETCHED, TEFLON TYPE ET PER MIL-W-16878/6

3.2 WALL THICKNESS: .0065

3.3 O.D. MAX: .026

3.4 HVBD: 250 VOLTS

### EXPLANATION OF WIRE PART NO.

# 7040-5354-XXXX

TE WIRE COLOR NUMBER

(SEE TABLE ABOVE)

EXAMPLE: -22 = RED

-00 = BLACK

TE WIRE LENGTH (IN INCHES)


EXAMPLE: 12 = 12 INCHES

06 = 6 INCHES

SP = SPOOL

### ETCHING REQUIREMENT:

REMOVE 2 FEET MINIMUM FROM EACH END OF ORIGINAL WIRE AFTER ETCHING TO PREVENT ETCHANT FROM WICKING ONTO CONDUCTOR.

| EAR CONTROL   |  | DIMENSIONS ARE IN INCHES                                  |  | NAME  |      | DATE      |  |
|---|--|---|--|---|------|-----------|--|
| TECHNICAL INFORMATION SUBJECT TO EXPORT ADMINISTRATION REGULATIONS (EAR). THIS TECHNICAL INFORMATION IS PROHIBITED FROM TRANSFER OR DISCLOSURE IN ANY MANNER TO NON-U.S. PERSONS IN THE UNITED STATES OR ABROAD WITHOUT PRIOR APPROVAL BY THE U.S. COMMERCE DEPARTMENT OR APPLICABLE EAR EXEMPTION. |  | TOLERANCES  |  | DRAWN   | DARB | 4/9/84    |  |
|   |  | ANGULAR ±2*   |  | CHECKED   |      |           |  |
|   |  | TWO PLACE DECIMAL ±.01                                    |  | ENG APPR.   |      |           |  |
|   |  | THREE PLACE DECIMAL ±.005                                 |  | MFG APPR.   |      |           |  |
| FOUR PLACE DECIMAL ±.0005   |  | Q.A.  |  |   |      |           |  |
| <b>PROPRIETARY AND CONFIDENTIAL</b><br>THE INFORMATION CONTAINED IN THIS DRAWING IS THE SOLE PROPERTY OF TE CONNECTIVITY. ANY REPRODUCTION IN PART OR AS A WHOLE WITHOUT THE WRITTEN PERMISSION OF TE CONNECTIVITY IS PROHIBITED.   |  | MATERIAL  |  | NOTED   |      |           |  |
|   |  | FINISH  |  | NONE  |      |           |  |
|   |  | DO NOT SCALE DRAWING                                      |  |   |      |           |  |
|   |  | Information in this box is for Engineering Reference Only |  |   |      |           |  |
|   |  |   |  |  |      |           |  |
|   |  |   |  | <b>WIRE - HOOKUP</b>  |      |           |  |
|   |  |   |  | CAGE CODE   |      | DWG. NO.  |  |
|   |  |   |  | 5W885   |      | 7040-5354 |  |