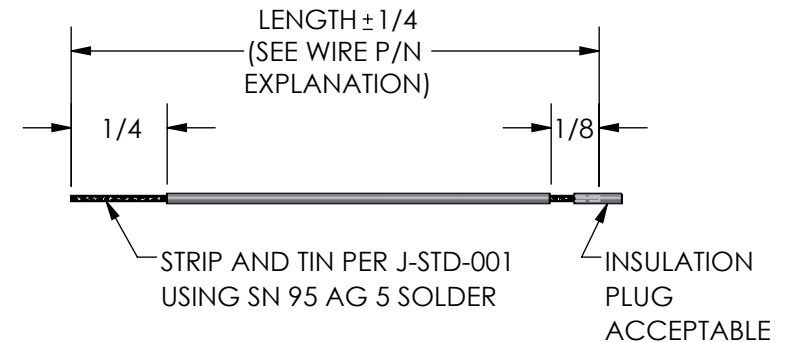


| DASH NO. | COLOR | TRACER | DASH NO. | COLOR | TRACER | DASH NO. | COLOR | TRACER |
|----------|-------|--------|----------|--------|--------|----------|--------|--------|
| 00 | BLACK | NONE | 30 | ORANGE | BLACK | 60 | BLUE | BLACK |
| 01 | BLACK | BROWN | 31 | ORANGE | BROWN | 61 | BLUE | BROWN |
| 02 | BLACK | RED | 32 | ORANGE | RED | 62 | BLUE | RED |
| 03 | BLACK | ORANGE | 33 | ORANGE | NONE | 63 | BLUE | ORANGE |
| 04 | BLACK | YELLOW | 34 | ORANGE | YELLOW | 64 | BLUE | YELLOW |
| 05 | BLACK | GREEN | 35 | ORANGE | GREEN | 65 | BLUE | GREEN |
| 06 | BLACK | BLUE | 36 | ORANGE | BLUE | 66 | BLUE | NONE |
| 07 | BLACK | VIOLET | 37 | ORANGE | VIOLET | 67 | BLUE | VIOLET |
| 08 | BLACK | GREY | 38 | ORANGE | GREY | 68 | BLUE | GREY |
| 09 | BLACK | WHITE | 39 | ORANGE | WHITE | 69 | BLUE | WHITE |
| 10 | BROWN | BLACK | 40 | YELLOW | BLACK | 70 | VIOLET | BLACK |
| 11 | BROWN | NONE | 41 | YELLOW | BROWN | 71 | VIOLET | BROWN |
| 12 | BROWN | RED | 42 | YELLOW | RED | 72 | VIOLET | RED |
| 13 | BROWN | ORANGE | 43 | YELLOW | ORANGE | 73 | VIOLET | ORANGE |
| 14 | BROWN | YELLOW | 44 | YELLOW | NONE | 74 | VIOLET | YELLOW |
| 15 | BROWN | GREEN | 45 | YELLOW | GREEN | 75 | VIOLET | GREEN |
| 16 | BROWN | BLUE | 46 | YELLOW | BLUE | 76 | VIOLET | BLUE |
| 17 | BROWN | VIOLET | 47 | YELLOW | VIOLET | 77 | VIOLET | NONE |
| 18 | BROWN | GREY | 48 | YELLOW | GREY | 78 | VIOLET | GREY |
| 19 | BROWN | WHITE | 49 | YELLOW | WHITE | 79 | VIOLET | WHITE |
| 20 | RED | BLACK | 50 | GREEN | BLACK | 80 | GRAY | BLACK |
| 21 | RED | BROWN | 51 | GREEN | BROWN | 81 | GRAY | BROWN |
| 22 | RED | NONE | 52 | GREEN | RED | 82 | GRAY | RED |
| 23 | RED | ORANGE | 53 | GREEN | ORANGE | 83 | GRAY | ORANGE |
| 24 | RED | YELLOW | 54 | GREEN | YELLOW | 84 | GRAY | YELLOW |
| 25 | RED | GREEN | 55 | GREEN | NONE | 85 | GRAY | GREEN |
| 26 | RED | BLUE | 56 | GREEN | BLUE | 86 | GRAY | BLUE |
| 27 | RED | VIOLET | 57 | GREEN | VIOLET | 87 | GRAY | VIOLET |
| 28 | RED | GREY | 58 | GREEN | GREY | 88 | GRAY | NONE |
| 29 | RED | WHITE | 59 | GREEN | WHITE | 89 | GRAY | WHITE |

| DASH NO. | COLOR | TRACER |
|----------|-------|--------|
| 90 | WHITE | BLACK |
| 91 | WHITE | BROWN |
| 92 | WHITE | RED |
| 93 | WHITE | ORANGE |
| 94 | WHITE | YELLOW |
| 95 | WHITE | GREEN |
| 96 | WHITE | BLUE |
| 97 | WHITE | VIOLET |
| 98 | WHITE | GREY |
| 99 | WHITE | NONE |

| CHANGE HISTORY | | | | |
|----------------|------------------------|---------|-------|----------|
| REV | DESCRIPTION | DATE | DRAWN | APPROVED |
| A | RELEASE | 4/9/84 | DARB | DARB |
| B | 7990-2527 | 1/16/95 | - | DARB |
| B1 | ADDED ETCH REQUIREMENT | 5/7/04 | - | DDA |
| B2 | ECN 3866-SSC | 1/16/13 | - | PDC |
| C0 | ECN 6121 | 4/25/17 | JDD | BSJ |
| D0 | ECN 6394 | 6/4/18 | DK | RJS |



SPECIFICATIONS

1.0 GENERAL

- 1.1 30 AWG
- 1.2 TEMP. RANGE: -65°C TO +200°C
- 1.3 PER MIL-W-16878/6

2.0 CONDUCTORS

- 2.1 STRANDING: 7 X 38
- 2.2 CONDUCTOR O.D.: .012 (NOMINAL)

3.0 INSULATION

- 3.1 TYPE: ETCHED, TEFLON TYPE ET PER MIL-W-16878/6
- 3.2 WALL THICKNESS: .006 REF.
- 3.3 FINISHED WIRE DIA: .022 - .026
- 3.4 VOLTAGE RATING: 250 VOLTS

EXPLANATION OF WIRE PART NO.

7040-5354-XXXX

TE WIRE COLOR NUMBER

(SEE TABLE ABOVE)

EXAMPLE: -22 = RED

-00 = BLACK

TE WIRE LENGTH (IN INCHES)


EXAMPLE: 12 = 12 INCHES

06 = 6 INCHES

SP = SPOOL

ETCHING REQUIREMENT:

REMOVE 2 FEET MINIMUM FROM EACH END OF ORIGINAL WIRE AFTER ETCHING TO PREVENT ETCHANT FROM WICKING ONTO CONDUCTOR.

| EAR CONTROL | | NAME | | DATE | |
|---|--|---|-----------|----------------------|--|
| TECHNICAL INFORMATION SUBJECT TO EXPORT ADMINISTRATION REGULATIONS (EAR). THIS TECHNICAL INFORMATION IS PROHIBITED FROM TRANSFER OR DISCLOSURE IN ANY MANNER TO NON-U.S. PERSONS IN THE UNITED STATES OR ABROAD WITHOUT PRIOR APPROVAL BY THE U.S. COMMERCE DEPARTMENT OR APPLICABLE EAR EXEMPTION. | | DRAWN | DARB | 4/9/84 | |
| DIMENSIONS ARE IN INCHES TOLERANCES ANGULAR $\pm 2^\circ$ | | CHECKED | | | |
| TWO PLACE DECIMAL $\pm .01$ THREE PLACE DECIMAL $\pm .005$ FOUR PLACE DECIMAL $\pm .0005$ | | ENG APPR. | | | |
| MATERIAL | | MFG APPR. | | | |
| NOTED | | Q.A. | | | |
| FINISH | | | | | |
| NONE | | | | | |
| DO NOT SCALE DRAWING | | | | | |
| Information in this box is for Engineering Reference Only | | | | | |
| PROPRIETARY AND CONFIDENTIAL THE INFORMATION CONTAINED IN THIS DRAWING IS THE SOLE PROPERTY OF TE CONNECTIVITY. ANY REPRODUCTION IN PART OR AS A WHOLE WITHOUT THE WRITTEN PERMISSION OF TE CONNECTIVITY IS PROHIBITED. | |  | | WIRE - HOOKUP | |
| | | CAGE CODE | DWG. NO. | | |
| | | 5W885 | 7040-5354 | | |