

19 PIN MOLDED

The molded 19 pin connector has the same size shell as the Super-Trex® 9, 10 and 12 pole Quick-Connects™. Having more connections concentrated in the same size connector allows for the connection of up to 16 sensors in one control junction box.

The molded design contains a composite pin configuration of 16 – 22AWG pins and 3 – 18AWG pins. The product can be easily identified by the location of the 18AWG pins in the connector head. These pins are positioned in a triangle pattern.

The Molded 19 pin connector offers a 100% bond between the connector head and the cable which provides an IP 68 rating to protect the pin connections against water and dust penetration.

The molded design also offers excellent protection against impact, oil, and abrasion.



Male Molded Plug



Female Molded Plug

Male/Female Extension Sets

Part Number	Description	Length
CR219E53M001	19 Pin Male/Female Ext. Set	1 meter
CR219E53M002	19 Pin Male/Female Ext. Set	2 meter
CR219E53M003	19 Pin Male/Female Ext. Set	3 meter
CR219E53M005	19 Pin Male/Female Ext. Set	5 meter

Female Plugs

Part Number	Description	Length
CR119C53M001	19 Pin Female Plug	1 meter
CR119C53M002	19 Pin Female Plug	2 meter
CR119C53M003	19 Pin Female Plug	3 meter
CR119C53M005	19 Pin Female Plug	5 meter

Receptacles

Part Number	Description	Length
RR119A53M001	19 Pin Male Receptacle	1 meter Pigtails
RR119C53M001	19 Pin Female Receptacle	1 meter Pigtails

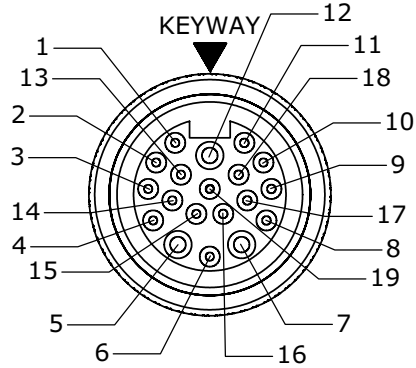
19 Pin Connectors

19 PIN MOLDED

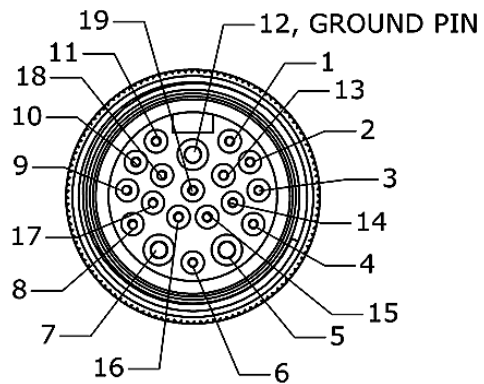
Pin Configuration

- 1 Violet
- 2 Red
- 3 Gray
- 4 Red/Blue
- 5 Blue (18 AWG)
- 6 Green
- 7 Brown (18 AWG)
- 8 White/Green
- 9 White/Yellow
- 10 White/Gray
- 11 Black
- 12 Green/Yellow-Ground (18 AWG)
- 13 Yellow/Brown
- 14 Brown/Green
- 15 White
- 16 Yellow
- 17 Pink
- 18 Gray/Brown
- 19 Gray/Pink

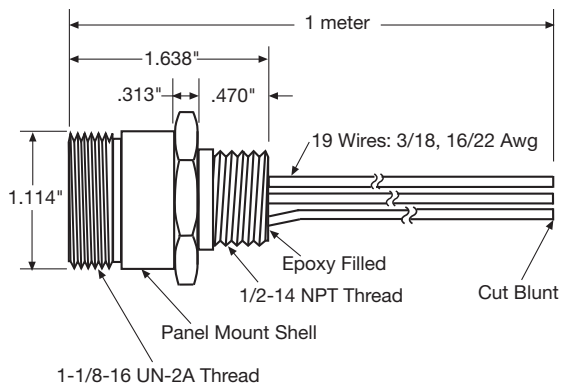
Female Face View



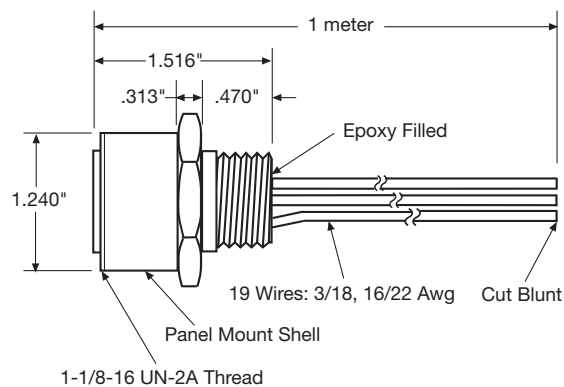
Male Face View



Male Receptacle



Female Receptacle



19 Pin Connectors