

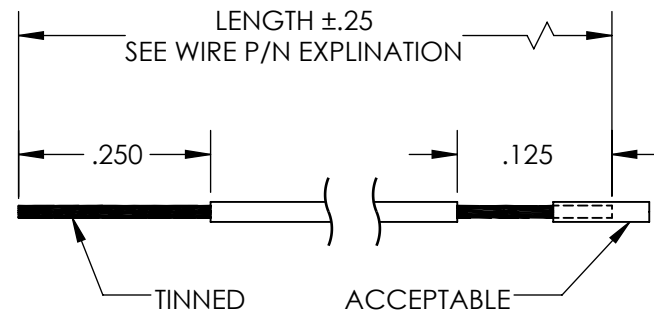
DASH NO.	COLOR	TRACER
00	BLACK	NONE
01	BLACK	BROWN
02	BLACK	RED
03	BLACK	ORANGE
04	BLACK	YELLOW
05	BLACK	GREEN
06	BLACK	BLUE
07	BLACK	VIOLET
08	BLACK	GRAY
09	BLACK	WHITE
10	BROWN	BLACK
11	BROWN	NONE
12	BROWN	RED
13	BROWN	ORANGE
14	BROWN	YELLOW
15	BROWN	GREEN
16	BROWN	BLUE
17	BROWN	VIOLET
18	BROWN	GRAY
19	BROWN	WHITE
20	RED	BLACK
21	RED	BROWN
22	RED	NONE
23	RED	ORANGE
24	RED	YELLOW
25	RED	GREEN
26	RED	BLUE
27	RED	VIOLET
28	RED	GRAY
29	RED	WHITE

DASH NO.	COLOR	TRACER
30	ORANGE	BLACK
31	ORANGE	BROWN
32	ORANGE	RED
33	ORANGE	NONE
34	ORANGE	YELLOW
35	ORANGE	GREEN
36	ORANGE	BLUE
37	ORANGE	VIOLET
38	ORANGE	GRAY
39	ORANGE	WHITE
40	YELLOW	BLACK
41	YELLOW	BROWN
42	YELLOW	RED
43	YELLOW	ORANGE
44	YELLOW	NONE
45	YELLOW	GREEN
46	YELLOW	BLUE
47	YELLOW	VIOLET
48	YELLOW	GRAY
49	YELLOW	WHITE
50	GREEN	BLACK
51	GREEN	BROWN
52	GREEN	RED
53	GREEN	ORANGE
54	GREEN	YELLOW
55	GREEN	NONE
56	GREEN	BLUE
57	GREEN	VIOLET
58	GREEN	GRAY
59	GREEN	WHITE

DASH NO.	COLOR	TRACER
60	BLUE	BLACK
61	BLUE	BROWN
62	BLUE	RED
63	BLUE	ORANGE
64	BLUE	YELLOW
65	BLUE	GREEN
66	BLUE	NONE
67	BLUE	VIOLET
68	BLUE	GRAY
69	BLUE	WHITE
70	VIOLET	BLACK
71	VIOLET	BROWN
72	VIOLET	RED
73	VIOLET	ORANGE
74	VIOLET	YELLOW
75	VIOLET	GREEN
76	VIOLET	BLUE
77	VIOLET	NONE
78	VIOLET	GRAY
79	VIOLET	WHITE
80	GRAY	BLACK
81	GRAY	BROWN
82	GRAY	RED
83	GRAY	ORANGE
84	GRAY	YELLOW
85	GRAY	GREEN
86	GRAY	BLUE
87	GRAY	VIOLET
88	GRAY	NONE
89	GRAY	WHITE

DASH NO.	COLOR	TRACER
90	WHITE	BLACK
91	WHITE	BROWN
92	WHITE	RED
93	WHITE	ORANGE
94	WHITE	YELLOW
95	WHITE	GREEN
96	WHITE	BLUE
97	WHITE	VIOLET
98	WHITE	GRAY
99	WHITE	NONE

CHANGE HISTORY				
REV	DESCRIPTION	DATE	DRAWN	APPROVED
A	RELEASE	11/18/02		DDA
B0	ECN 5921	12/28/16	EML	BD



SPECIFICATIONS

1.0 GENERAL

- 1.1 26 AWG PER SAE-AS22759/33
- 1.2 TEMP. RANGE: -65°C TO +200°C

2.0 CONDUCTORS

- 2.1 STRANDING: 19/38
- 2.2 O.D. OVER STRANDS: .019±.001
- 2.3 MATERIAL: HIGH STRENGTH COPPER ALLOY
- 2.4 FINISH: SILVER COATED
- 2.5 TINNING SOLDER: Sn95Ag5, STRIP AND TIN PER IPC J-STD-001 CLASS 3

3.0 INSULATION

- 3.1 TYPE: ETCHED, CROSS-LINKED ETHYLENE TETRAFLUOROETHYLENE (XLETFE)
- 3.2 O.D. OVERALL: .032±.002
- 3.3 HVBD: 600 VOLTS MIN.

EXPLANATION OF WIRE PART NO.

7040-5346-XXXX

TE WIRE COLOR NUMBER

(SEE TABLE ABOVE)

EXAMPLE: -22 = RED

-00 = BLACK

TE WIRE LENGTH (IN INCHES)


EXAMPLE: 12 = 12 INCHES

06 = 6 INCHES

SP = SPOOL

ETCHING REQUIREMENT:

REMOVE 2 FEET MINIMUM FROM EACH END OF ORIGINAL WIRE AFTER ETCHING TO PREVENT ETCHANT FROM WICKING ONTO CONDUCTOR.

EAR CONTROL		DIMENSIONS ARE IN INCHES		NAME		DATE		
TECHNICAL INFORMATION SUBJECT TO EXPORT ADMINISTRATION REGULATIONS (EAR). THIS TECHNICAL INFORMATION IS PROHIBITED FROM TRANSFER OR DISCLOSURE IN ANY MANNER TO NON-U.S. PERSONS IN THE UNITED STATES OR ABROAD WITHOUT PRIOR APPROVAL BY THE U.S. COMMERCE DEPARTMENT OR APPLICABLE EAR EXEMPTION.		TOLERANCES		DRAWN	D. ALLMANDINGER	11/18/02		
		ANGULAR ±2°		CHECKED	D. ALLMANDINGER	11/18/02		
		TWO PLACE DECIMAL ±.01		ENG APPR.				
		THREE PLACE DECIMAL ±.005		MFG APPR.				
FOUR PLACE DECIMAL ±.0005		Q.A.						
PROPRIETARY AND CONFIDENTIAL THE INFORMATION CONTAINED IN THIS DRAWING IS THE SOLE PROPERTY OF TE CONNECTIVITY. ANY REPRODUCTION IN PART OR AS A WHOLE WITHOUT THE WRITTEN PERMISSION OF TE CONNECTIVITY IS PROHIBITED.		MATERIAL						
		NOTED						
		FINISH		<h2>WIRE, HOOKUP</h2>				
		NOTED						
		DO NOT SCALE DRAWING						
		Information in this box is for Engineering Reference Only		CAGE CODE		DWG. NO.		
				5W885		7040-5346		