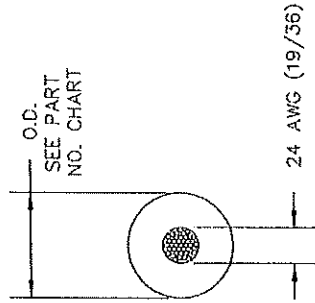


1 2 3 4

ZONE	LTR	DESCRIPTIONS	DATE	APPROVED
A		.126 DIA. WAS .141 DIA. 12-17-07 DBP	12-20-07	REA

PART NO.	AWG/STR/PLT	O.D.	VOLTAGE RATING	COLOR	COMPOUND NO.
WUS-2024-0	24 (19/36) SPC	.126	20 KVDC	BLACK	0WC40
WUS-2024-1	24 (19/36) SPC	.126	20 KVDC	BROWN	1WC40
WUS-2024-2	24 (19/36) SPC	.126	20 KVDC	RED	2WC40
WUS-2024-3	24 (19/36) SPC	.126	20 KVDC	ORANGE	3WC40
WUS-2024-4	24 (19/36) SPC	.126	20 KVDC	YELLOW	4WC40
WUS-2024-5	24 (19/36) SPC	.126	20 KVDC	GREEN	5WC40
WUS-2024-6	24 (19/36) SPC	.126	20 KVDC	BLUE	6WC40
WUS-2024-7	24 (19/36) SPC	.126	20 KVDC	VIOLET	7WC40
WUS-2024-8	24 (19/36) SPC	.126	20 KVDC	GRAY	8WC40
WUS-2024-9	24 (19/36) SPC	.126	20 KVDC	WHITE	9WC40
WUS-2024-10	24 (19/36) SPC	.126	20 KVDC	NATURAL	10WC40



NOTES (UNLESS OTHERWISE SPECIFIED):

- OPERATING CONDITIONS:  
 VOLTAGE - SEE PART NO. CHART  
 MAXIMUM CURRENT - 6 AMPERES  
 ALTITUDE - SEA LEVEL TO 70,000 FT.  
 TEMPERATURE - -65°C TO +200°C (250°C INTERMITTENT)
- MATERIALS AND FINISHES:  
 CONDUCTOR - COPPER STRANDING IN ACCORDANCE WITH ASTM B140-85.  
 SILVER PLATED I.A.W. ASTM B298  
 INSULATION - SILICONE RUBBER IN ACCORDANCE WITH PROPRIETARY SPECIFICATION.
- VOLTAGE RATINGS ARE CONTINUOUS DC RATINGS.  
 CURRENT RATINGS ARE BASED ON SINGLE CONDUCTOR IN FREE AIR.
- WIRE MADE IN ACCORDANCE WITH U.L. 3239.

NO. REG'D.	PART NO.	DESCRIPTION	DET. NO.
CONTRACT NO.	BILL OF MATERIAL		
<b>WIREMAX</b>			
705 Wamba Ave. Toledo, OH. 43607			
TITLE	24 AWG H.V. WIRE SILICONE INSULATED		
APPROVALS	DATE		
DRAWN P. J. GABORIK	6-14-97		
CHECKED D. B. P.	6-15-97		
UNLESS OTHERWISE SPECIFIED ALL DIMENSIONS SHOWN ARE BEFORE PLATE DIMENSIONS		SIZE	CODE IDENT NO. DRAWING NO.
		B	Ø6RA5 WUS-2024
		SCALE	4X VOL. WM 96025 SHEET 1 OF 1

UNLESS OTHERWISE SPECIFIED DIMENSIONS ARE IN INCHES TOLERANCES ARE: FRACTIONS ± .005 DECIMALS ± .01 ANGLES ± 1°	MATERIAL	SEE NOTE 2
FINISH	SEE NOTE 2	
NEXT ASSY	USED ON	
APPLICATION	DO NOT SCALE DRAWING	

1 2 3 4 ORIGINAL 1