

This document contains proprietary and confidential information of Northwire, Inc. (and its subsidiary) and shall not be used, disclosed or reproduced, in whole or in part, for any purpose without the prior written consent of Northwire, Inc. (and its subsidiary).

Disclaimer: The technical data that is made part of this document may be subject to the International Traffic in Arms Regulation (ITAR) and the Export Administration Regulations (EAR). Disclosure of technical data to Foreign Persons in the course of employment with U.S. contractors is considered an export and is subject to the ITAR and EAR export licensing requirements/regulations.

DESCRIPTION: 18/4 (1 STP) 125C (-40C) 60V SHIELDED CABLE

CUSTOMER: SEE BELOW

CUSTOMER P/N: FCAB184-063

DRAWN BY: G. MIELKE

SCALE: 12:1

DWG NO: 64504-3

DATE: 9/28/2016

REV: E

CUSTOMER

P/N

JOHN DEERE

T390882

MONONA CVG

153675

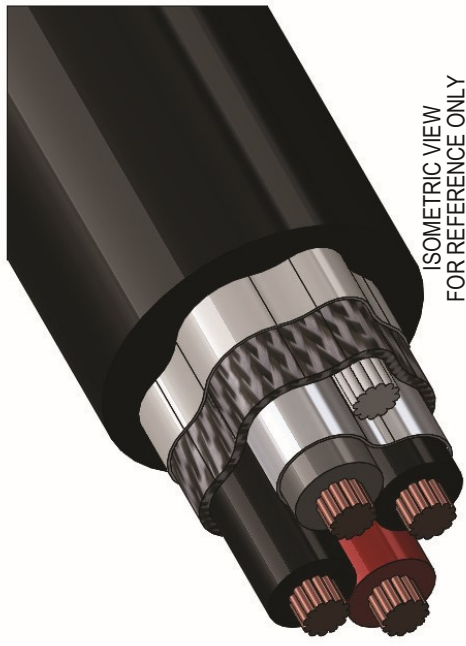
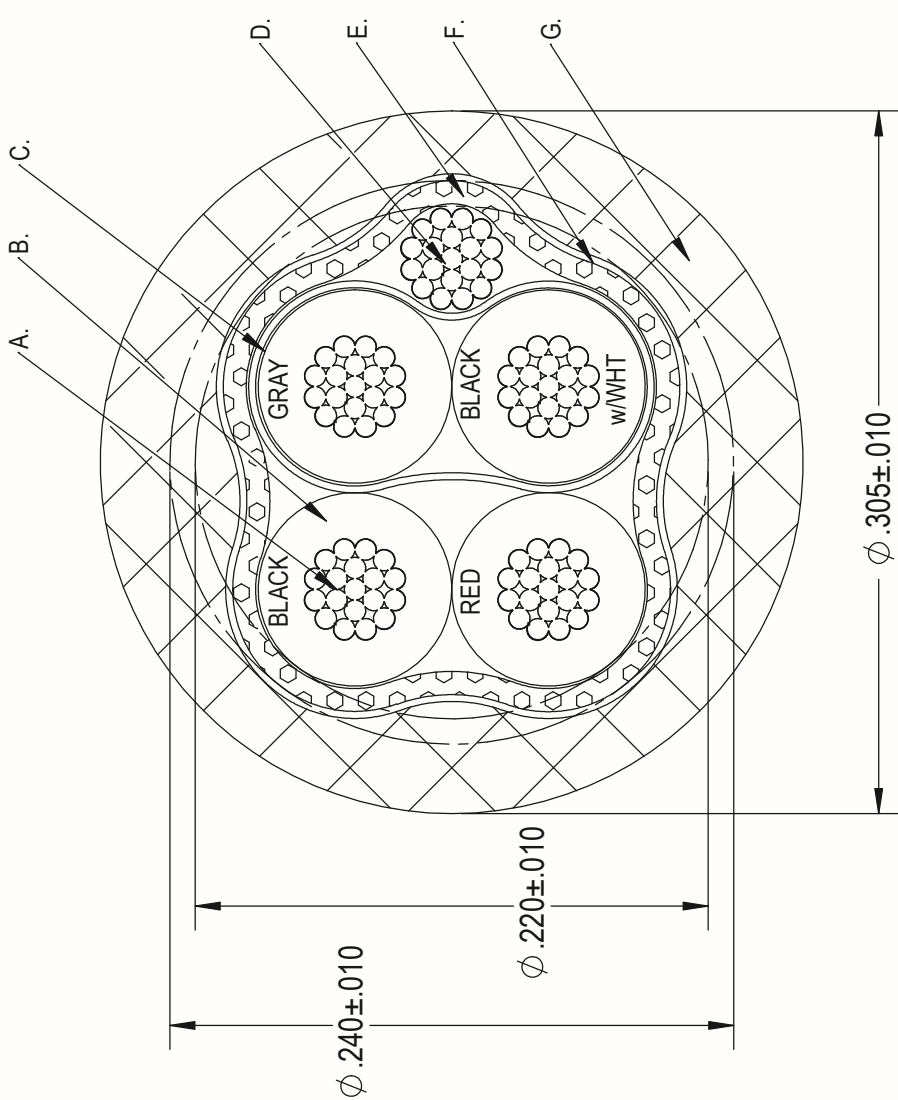
CORE DIMENSIONS FOR INTERNAL USE ONLY

ITEM	SPECIFICATIONS
A.	18 AWG 19x.0092" BC OD: .045 ± .003"
B.	16 MILS XLPE INSULATION 11 MILS MIN XLPE INSULATION OD: .084 ± .002"
C.	18/2 SHIELDED TWISTED PAIR
D.	18 AWG 19x.0092" BC OD: .045 ± .003"
E.	36 AWG TC BRAIDED SHIELD (70% IN COVERAGE)
F.	TISSUE PAPER SEPARATOR
G.	30 MILS PRESSURED TPE JACKET 24 MILS MIN PRESSURED TPE JACKET JACKET COLOR: BLACK JACKET MATERIAL: EL-8623C XRD1

CABLE IS NOT UL OR CSA APPROVED

ROHS COMPLIANT MATERIALS TO EU

DIRECTIVE 2011/65/EU



ISOMETRIC VIEW
FOR REFERENCE ONLY

LEGEND SPECIFICATIONS: NO LEGEND REQUIRED

This document contains proprietary and confidential information of Northwire, Inc. (and its subsidiary) and shall not be used, disclosed or reproduced, in whole or in part, for any purpose without the prior written consent of Northwire, Inc. (and its subsidiary).

Disclaimer: The technical data that is made part of this document may be subject to the International Traffic in Arms Regulation (ITAR) and the Export Administration Regulations (EAR). Disclosure of technical data to Foreign Persons in the course of employment with U.S. contractors is considered an export and is subject to the ITAR and EAR export licensing requirements/regulations.

DESCRIPTION: 18/4 (1 STP) 125C (-40C) 60V SHIELDED CABLE

CUSTOMER: SEE BELOW

CUSTOMER PIN: SEE BELOW

NWI P/N: FCAB184-063

DRAWN BY: G. MIELKE

UNITS: IN SCALE: 60:1

DWG NO: 64504-3

DATE: 9/28/2016

REV: E

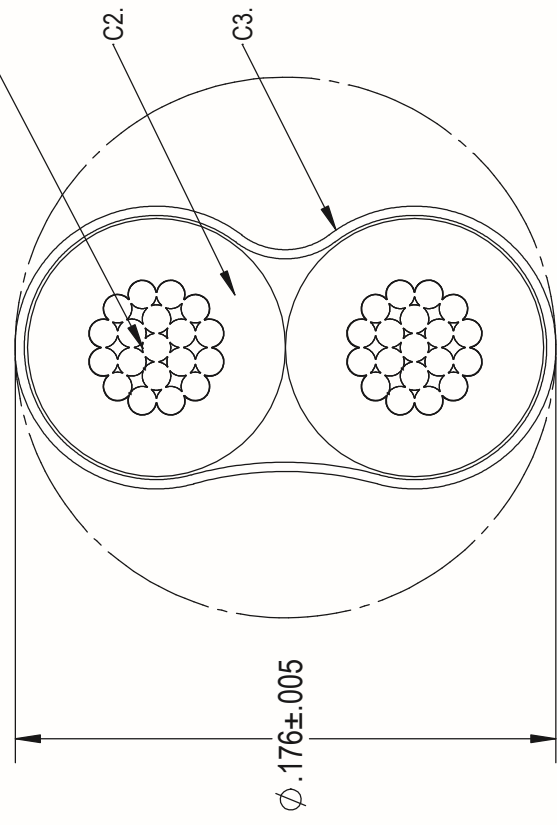
SUB-ASSEMBLY SPECIFICATIONS

C. SHIELDED TWISTED PAIR

C1. 18 AWG 19x.0092" BC
OD: .045 ± .003"

C2. 16 MILS FOAMED XLPE INSULATION
11 MILS MIN FOAMED XLPE INSULATION
OD: .084 ± .002"

C3. ALUMINIUM FOIL SHIELD (FOIL OUT)





This document contains proprietary and confidential information of Northwire, Inc. (and its subsidiary) and shall not be used, disclosed or reproduced, in whole or in part, for any purpose without the prior written consent of Northwire, Inc. (and its subsidiary).

Disclaimer: The technical data that is made part of this document may be subject to the International Traffic in Arms Regulation (ITAR) and the Export Administration Regulations (EAR). Disclosure of technical data to Foreign Persons in the course of employment with U.S. contractors is considered an export and is subject to the ITAR and EAR export licensing requirements/regulations.

DESCRIPTION: 18/4 (1 STP) 125C (-40C) 60V SHIELDED CABLE	UNITS: IN	SCALE: 60:1	ELECTRICAL REQUIREMENTS
CUSTOMER: SEE BELOW	NWI P/N: FCAB184-063	DWG NO: 64504-3	SHIELDED TWISTED PAIR -
CUSTOMER P/N: SEE BELOW	DRAWN BY: G. MIELKE	DATE: 9/28/2016	IMPEDANCE: 75 OHM±15%
			CAPACITANCE: 25pF/ft Max

  <p>A LEMO Group Company</p>		MECHANICAL REQUIREMENTS
		NONE SPECIFIED

REVISIONS	REV.	REV DATE	APR
UPDATED CVG's P/N PER CUSTOMER	E	9/6/18	GM
CHG INSULATION FROM SOLID TO FOAMED ON SHIELDED PAIR TO IMPROVE ELECTRICALS	D	2/28/18	GM
ADD COMP NAME & JD P/N	C	9/19/17	GM
CHG LOCATION OF DRAIN WIRE	B	10/3/16	GM
INITIAL DESIGN	A	9/28/16	GM