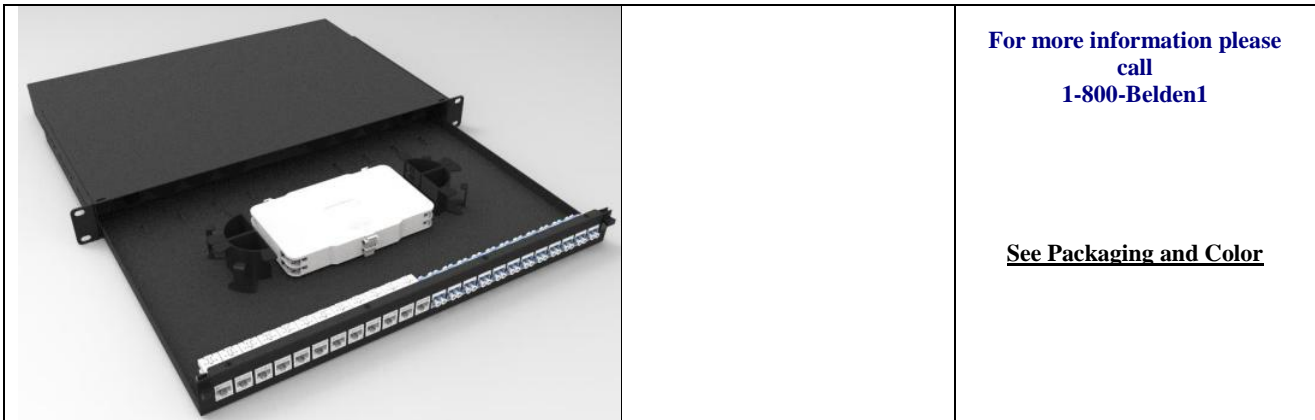


AP100044

Copper and Fiber Multi-User Patch Panel



DESCRIPTION:

1U/19" unshielded patch panel with 24 ports that can accommodate Belden's regular unshielded RJ45 module, moreover, with Belden's LC duplex fiber adapter module, which makes it is possible to combine the fiber and copper category cables into one patch panel. For unoccupied ports can be snapped in special blank covers that can block out subjects that may harmful to the products inside the panel

SUITABLE APPLICATIONS:

Suitable Applications	This patch panel can accommodate up to 24 connections of UTP or LC duplex fiber adapter, 1U/19" dimension suitable to mount with EIA-310/IEC 60297 19" rack and cabinet. FiberExpress Solutions, Backbone, Telecommunications Room, Main Distribution Room, Data Centers
-----------------------	--

TECHNICAL INFORMATION:

Patch panel	
Dimensions	Reference the drawing below
Installation information	Suitable for 19" wide rack specified in IEC 60297
Weight	3.5Kg
Capacity	Accommodate up to 24 connections of UTP or LC duplex fiber adapter
Panel kits	Magic stick strip, cable ties, PG13.5 water joint, fiber protection sleeves, KeyConnect Blank Inserts for unoccupied ports

Features

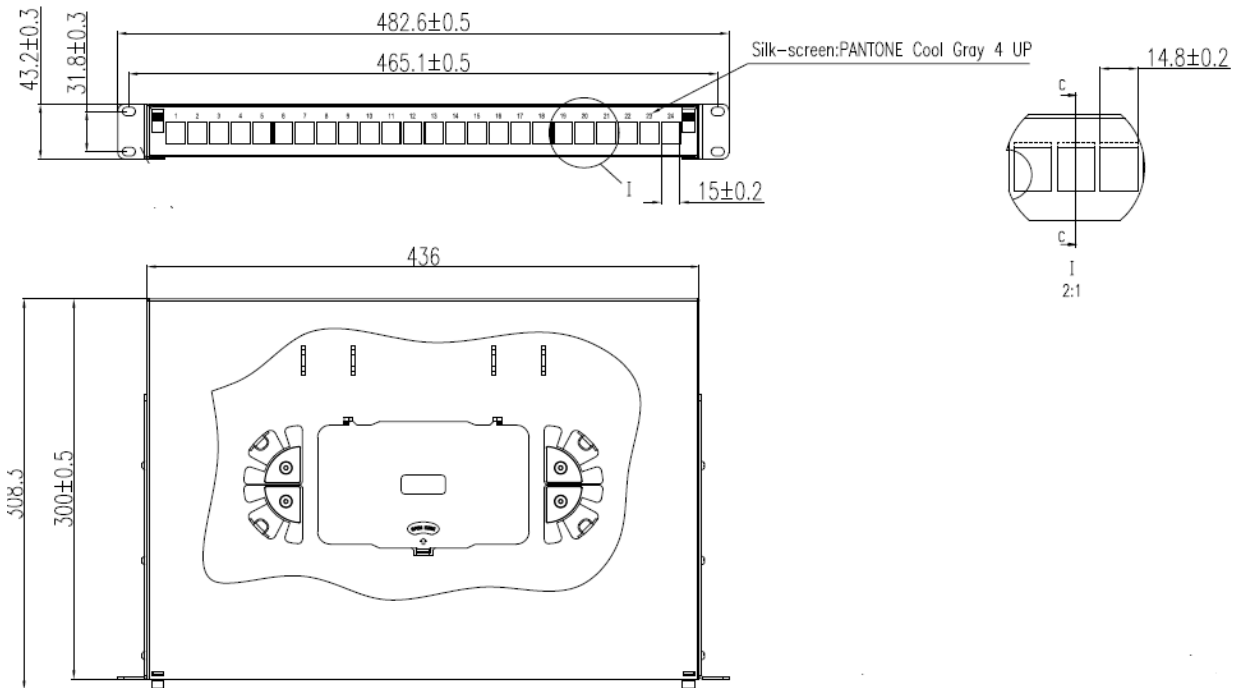
Sliding drawer	With sliding drawer provide full access to the inner part of the panel that makes installation and maintenance more easily
Splice tray	Pre-loaded in the panel. ABS injection-molded splice tray can provide sufficient strength to protect heat shrink spliced fibers, two layers splice tray can accommodate max up to 48fibers at the same time.
Silk-screen printing	Apply silk screen printing for the 1 to 24 numbers on the panel
KeyConnect LC duplex adapter fiber adapter module suitable for copper and fiber compatible patch panel	Part number for LC Duplex adapter is AP100020~AP100023 and shall be purchased separately.

AP100044

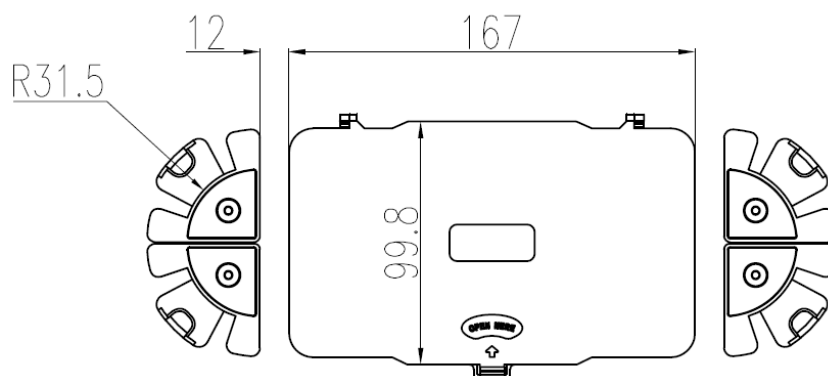
Copper and Fiber Multi-User Patch Panel

Compatible FX UHD cassettes/patch panels and a variety of workstation outlets to create a highly customizable solution.
Installation guide for the fiber adapter module: [PX103826](#)

Patch Panel Dimensions (mm) - below drawing:



Fiber Tray Dimensions (mm) - below drawing:



SUITABILITY:

Suitability - Indoor

Yes

SOME STANDARD PART NUMBERS:

Product Number	Description	Color	Package

AP100044

Copper and Fiber Multi-User Patch Panel

AP100044	1U/19" 24 ports Multi-User patch panel	Black	1pcs
----------	--	-------	------

Revision Number: 1

Revision Date: 05-03-2018

©Copyright 2018 Belden, Inc
All Rights Reserved.

Although Belden ("Belden") makes every reasonable effort to ensure their accuracy at the time of this publication, information and specifications described herein are subject to error or omission and to change without notice, and the listing of such information and specifications does not ensure product availability.

Belden provides the information and specifications herein on an "AS IS" basis, with no representations or warranties, whether express, statutory or implied. In no event will Belden be liable for any damages (including consequential, indirect, incidental, special, punitive, or exemplary damages) whatsoever, even if Belden has been advised of the possibility of such damages, whether in an action under contract, negligence or any other theory, arising out of or in connection with the use, or inability to use, the information or specifications described herein.

All sales of Belden products are subject to Belden's standard terms and conditions of sale.

Belden believes this product to be in compliance with the following environmental regulations: California Proposition 65 Consent Judgment For Wire & Cable Mfgs.(San Francisco Superior Court Nos. 312962 And 320342); EU RoHS (Directive 2002/95/EC, 27-Jan2003); Material manufactured prior to the compliance date may still be in stock at Belden facilities and in our Distributor's inventory. EU ELV (Directive 2000/53/EC, 18-Sept-2000); EU WEEE (Directive 2002/96/EC, 27-Jan-2003); And EU BFR (Directive 2003/11/EC, 6-Feb2003). The information provided in this Product Disclosure, and the identification of materials listed as reportable or restricted within the Product Disclosure, is correct to the best of Belden's knowledge, information and belief at the date of its publication. The information provided in the Product Disclosure is designed only as a general guide for the safe handling, storage, and any other operation of the product itself or the one that it becomes a part of. This Product Disclosure is not to be considered a warranty or quality specification. Regulatory information is for guidance purposes only. Product users are responsible for determining the applicability of legislation and regulations based on their individual usage of the product.

Belden declares this product to be in compliance with EU LVD (Low Voltage Directive 73/23/EEC), as amended by directive 93/68/EEC.