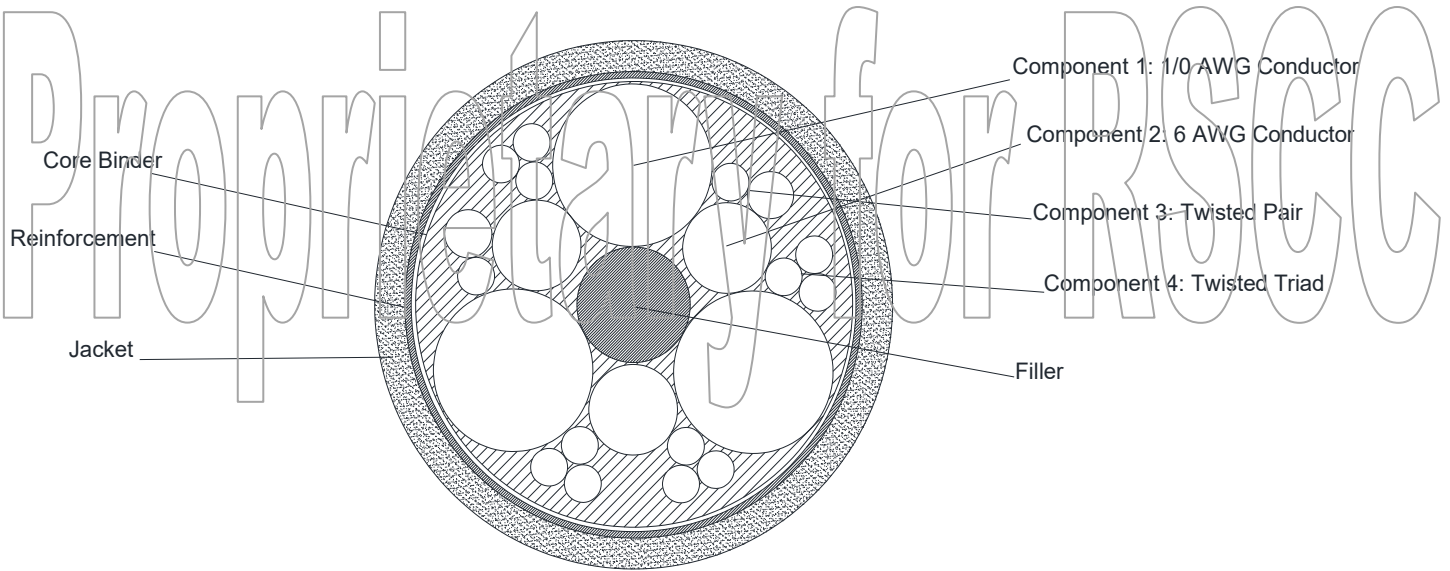


**PRODUCT SPECIFICATION DRAWING**

*Proprietary Information not to be reproduced*

**Product Title: 1/0 FULL-PHASE COMMAND PLUS CABLE, 125C, 600V**



**CONSTRUCTION:**

**NOMINAL DIAMETER**

**1.0 COMPONENT 1: 3 REQUIRED**

<b>1.1 Conductor:</b>	1/0 AWG 988/30 Tinned Copper Class K	0.386"
<b>1.2 Insulation:</b>	Cross Linked Polyolefin (XLPO) Minimum Average Wall 0.055"	0.499"
<b>1.3 Color Code:</b>	Black with "A" printed Black with "B" printed Black with "C" printed	

**2.0 COMPONENT 2: 3 REQUIRED**

<b>2.1 Conductor:</b>	6 AWG 252/30 Tinned Copper Class K	0.195"
<b>2.2 Insulation:</b>	Cross Linked Polyolefin (XLPO) Minimum Average Wall 0.055"	0.288"
<b>2.3 Color Code:</b>	White with "N" printed on each	

**3.0 COMPONENT 3: 2 REQUIRED, (Twisted Pair)**

<b>3.1 Conductor:</b>	16 AWG 26/30 Tinned Copper Class K	0.054"
<b>3.2 Insulation:</b>	Cross Linked Polyolefin (XLPO) Minimum Average Wall 0.030"	0.116"
<b>3.3 Color:</b>	Blue	
<b>3.4 Conductor:</b>	12 AWG 65/30 Tinned Copper Class K	0.086"

**PRODUCT SPECIFICATION DRAWING**

*Proprietary Information not to be reproduced*

**Product Title: 1/0 FULL-PHASE COMMAND PLUS CABLE, 125C, 600V**

**3.5 Insulation:** Cross Linked Polyolefin (XLPO) Minimum Average Wall 0.030" 0.148"

**3.6 Color:** Black + White

**3.7 Assembly:** 12 AWG & 16 AWG conductors cabled as a pair

**3.8 Color Code:** Pair 1: Black with "F" printed + Blue with "1" printed  
Pair 2: White with "E" printed + Blue with "11" printed

**4.0 COMPONENT 4: 4 REQUIRED, (Twisted Triad)**

**4.1 Conductor:** 16 AWG 26/30 Tinned Copper Class K 0.054"

**4.2 Insulation:** Cross Linked Polyolefin (XLPO) Minimum Average Wall 0.030" 0.116"

**4.3 Color:** Blue

**4.4 Assembly:** Conductors cabled as a triad and printed with numbers as follows:

Triad 1: "2" + "3" + "4"

Triad 2: "5" + "6" + "7"

Triad 3: "8" + "9" + "10"

Triad 4: "12" + "13" + "14"

**5.0 CABLE:**

**5.1 Assembly:** 3 Components 1 with 3 Components 2 with 2 Components 3 and 4 Components 4 cabled with fillers in the center and the interstices.

**5.2 Binder:** Polyester Tape Wrap 1.370"

**5.3 Reinforcement:** Nylon Braid 1.470

**6.0 OUTER JACKET: 0.085" Black CSPE 1.645"**

**7.0 NOMINAL WEIGHT: 2066 lbs/1000 feet**

**8.0 Markings On Cable: SKYKO INTERNATIONAL 1/0 FULL-PHASE COMMAND PLUS P/N  
8000-0033-0000 REV C 125C 600V"  
Month & Year Manufactured & Traceability Number**



Phone: (800) 327 - 7625  
Fax: (860) 653 - 8301

Part Number:  
8000-0033-0000 REV C

Drawn By:  
Phil Laudicina

Reviewed By:  
Walt Drabek

Date:  
11/22/19

Revision:  
0

Page:  
2 of 2

DWG Number:  
TD-010887