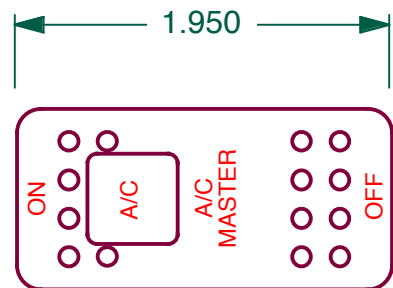
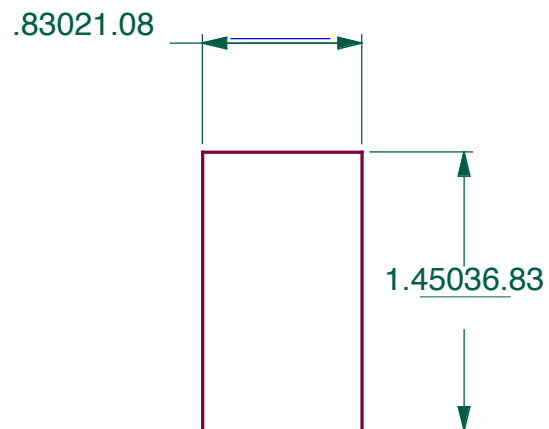


DO NOT SCALE DRAWING WORK TO FIGURES

DWG NO. V1D1AH0B-A9CXX-1XX-XACM1
REV. 01

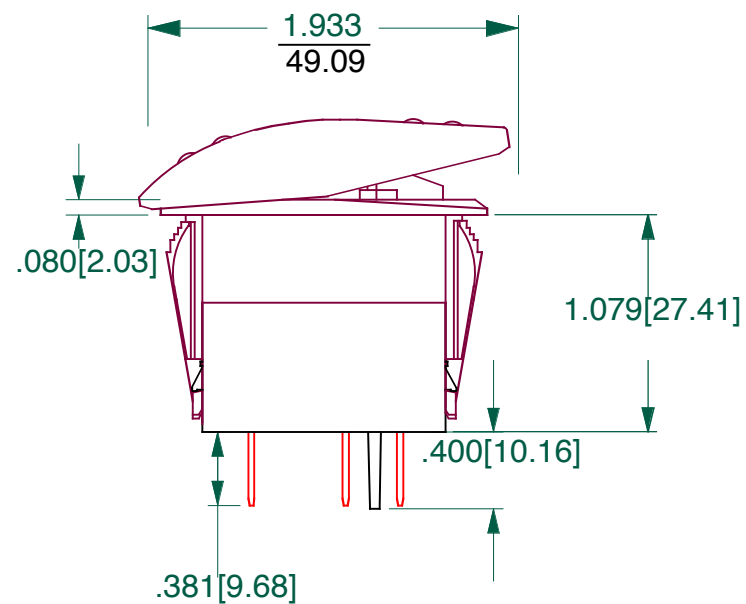
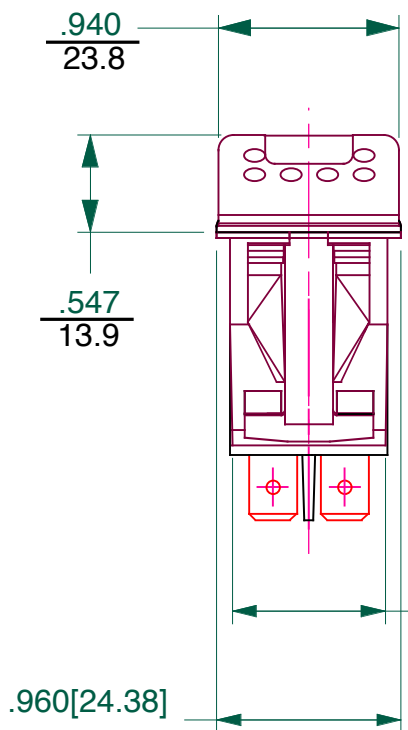


POS 1 POS 2 POS 3



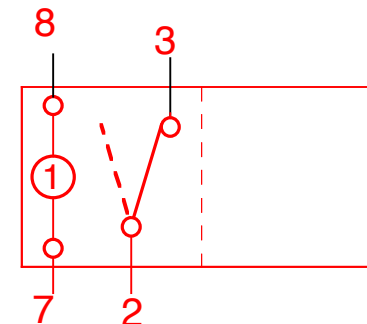
MOUNTING HOLE

PANEL THICKNESS (SNAP - IN BRACKET)
.030 MIN ---- .187 MAX
.76 4.75

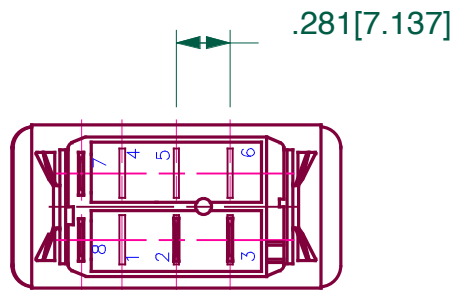


$\pm .003$
.250 X .031
 $6.35 \pm .08$ $.78 \pm .03$

LAMP



CIRCUIT DIAGRAM



LET	REVISIONS	DATE
01	RELEASED	1-30-17

RATING:

20A ---- 12V

SWITCH FUNCTION

POS 1	POS 2	POS 3
ON	NONE	OFF
2 TO 3		

NOTES:

- BRACKET IS BLACK NYLON
- ROCKER IS BLACK NYLON
- LENS COLOR IS WHITE
- INDEPENDENT 12V SUPERBRIGHTGREEN LED

PRELIMINARY

DIMENSIONS SUBJECT TO CHANGE WITHOUT NOTICE		FINISH		Carling Technologies		
PROPRIETARY NOTE: NOTICE TO ALL PERSONS RECEIVING THIS DRAWING. THIS DOCUMENT IS THE PROPERTY OF CARLING TECHNOLOGIES, INC. AND IS NOT TO BE DISCLOSED, REPRODUCED IN WHOLE OR IN PART OR USED FOR MANUFACTURING PURPOSES BY ANYONE WITHOUT THE CONSENT OF CARLING TECHNOLOGIES, INC.	UNSPECIFIED TOLERANCES		TOOL NO.		TITLE "V" SERIES ROCKER	
	X.XXX ±.015		DR BY	DATE		
	PROJECTIONS		CHK BY	DATE	SIZE	REV.
	DIMENSIONS IN [mm]		APPD BY	DATE	B	V1D1AH0B-A9CXX-1XX-XACM1 01
			USED ON	SCALE: FULL	SHT 1 OF 1	