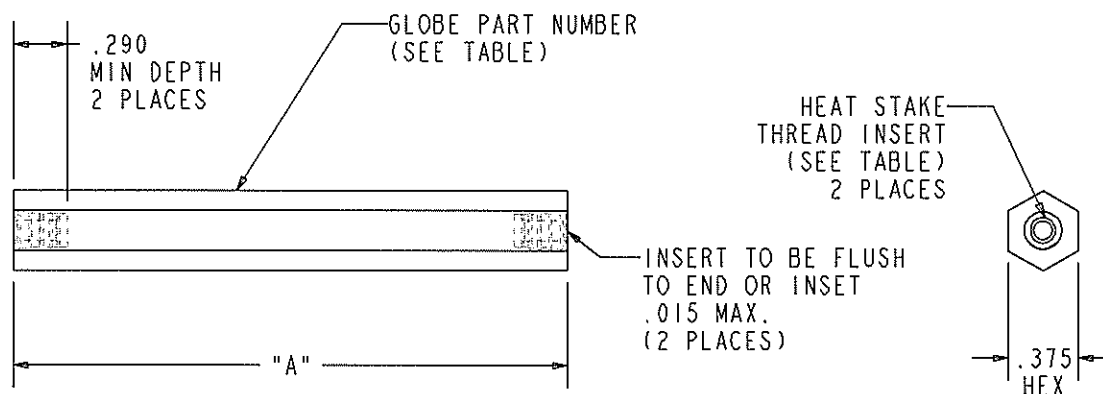
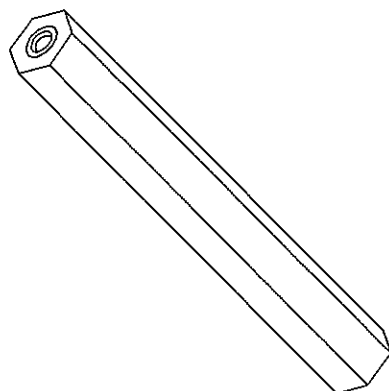


PART NUMBER

ST-272-*

QSIF-233 Rev C ECA-44849




KEITHLEY PART #	GLOBE PART #	"A" (IN)	THREAD INSERT
ST-272-1	N-4138-632-0	3.00 (REF)	DODGE ST138-32
ST-272-2	N-4115-632-0	1.06 (REF)	DODGE ST138-32



DO NOT SCALE DRAWING

RoHS COMPLIANT

LTR	REVISIONS	APP.	DATE	DRN.	DATE	11/15/10	 Keithley Instruments Inc. Cleveland, Ohio 44139
A	47219 RELEASED	PS	11/15/10	CKD.	PS	11/15/10	
A1	47630 ADDED ST-272-2	PS	5/17/11	APP.	PS	11/15/10	
HEX STAND-OFF, NYLON							CONFIDENTIAL PROPRIETARY PART NUMBER <h1>ST-272-*</h1>