

4

3

2

1

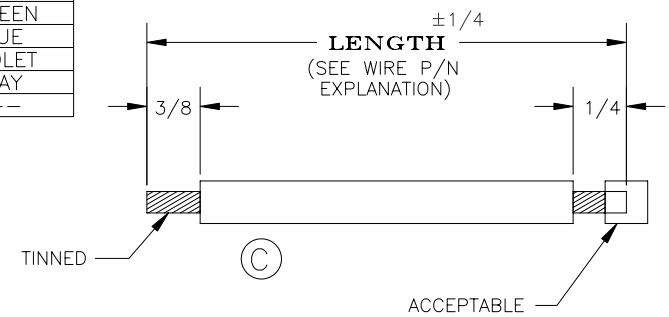
DASH NO.	COLOR	TRACER
00	BLACK	---
01	BLACK	BROWN
02	BLACK	RED
03	BLACK	ORANGE
04	BLACK	YELLOW
05	BLACK	GREEN
06	BLACK	BLUE
07	BLACK	VIOLET
08	BLACK	GRAY
09	BLACK	WHITE
10	BROWN	BLACK
11	BROWN	---
12	BROWN	RED
13	BROWN	ORANGE
14	BROWN	YELLOW
15	BROWN	GREEN
16	BROWN	BLUE
17	BROWN	VIOLET
18	BROWN	GRAY
19	BROWN	WHITE
20	RED	BLACK
21	RED	BROWN
22	RED	---
23	RED	ORANGE
24	RED	YELLOW
25	RED	GREEN
26	RED	BLUE
27	RED	VIOLET
28	RED	GRAY
29	RED	WHITE

DASH NO.	COLOR	TRACER
30	ORANGE	BLACK
31	ORANGE	BROWN
32	ORANGE	RED
33	ORANGE	---
34	ORANGE	YELLOW
35	ORANGE	GREEN
36	ORANGE	BLUE
37	ORANGE	VIOLET
38	ORANGE	GRAY
39	ORANGE	WHITE
40	YELLOW	BLACK
41	YELLOW	BROWN
42	YELLOW	RED
43	YELLOW	ORANGE
44	YELLOW	---
45	YELLOW	GREEN
46	YELLOW	BLUE
47	YELLOW	VIOLET
48	YELLOW	GRAY
49	YELLOW	WHITE
50	GREEN	BLACK
51	GREEN	BROWN
52	GREEN	RED
53	GREEN	ORANGE
54	GREEN	YELLOW
55	GREEN	---
56	GREEN	BLUE
57	GREEN	VIOLET
58	GREEN	GRAY
59	GREEN	WHITE

DASH NO.	COLOR	TRACER
60	BLUE	BLACK
61	BLUE	BROWN
62	BLUE	RED
63	BLUE	ORANGE
64	BLUE	YELLOW
65	BLUE	GREEN
66	BLUE	---
67	BLUE	VIOLET
68	BLUE	GRAY
69	BLUE	WHITE
70	VIOLET	BLACK
71	VIOLET	BROWN
72	VIOLET	RED
73	VIOLET	ORANGE
74	VIOLET	YELLOW
75	VIOLET	GREEN
76	VIOLET	BLUE
77	VIOLET	---
78	VIOLET	GRAY
79	VIOLET	WHITE
80	GRAY	BLACK
81	GRAY	BROWN
82	GRAY	RED
83	GRAY	ORANGE
84	GRAY	YELLOW
85	GRAY	GREEN
86	GRAY	BLUE
87	GRAY	VIOLET
88	GRAY	---
89	GRAY	WHITE

DASH NO.	COLOR	TRACER
90	WHITE	BLACK
91	WHITE	BROWN
92	WHITE	RED
93	WHITE	ORANGE
94	WHITE	YELLOW
95	WHITE	GREEN
96	WHITE	BLUE
97	WHITE	VIOLET
98	WHITE	GRAY
99	WHITE	---

REVISIONS				
ZONE	REV	DESCRIPTION	DATE	APPROVED
	A	RELEASE	10/15/96	DARB
	B	7990-3079	10/28/96	DARB
	C	7990-4027	12/14/00	DDA



SPECIFICATIONS:

- 1.0 GENERAL
 - 1.1 24 AWG TYPE ET PER MIL-W-16878
 - 1.2 TEMP. RANGE: -65°C TO 200°C
- 2.0 CONDUCTORS
 - 2.1 STRANDING: 19/36
 - 2.2 O.D. OVER STRANDS: .026
 - 2.3 TENSILE STRENGTH:
 - 2.4 ELONGATION:
- 3.0 INSULATION
 - 3.1 TYPE: ETCHED TEFLON
 - 3.2 WALL THICKNESS: .007
 - 3.3 O.D. MAX: .040
 - 3.4 HVBD: 300 VDC MIN.
 - 3.5 INSULATION RESISTANCE:
 - 3.6 TENSILE STRENGTH:
 - 3.7 ELONGATION:
 - 3.8 CONCENTRICITY:

EXPLANATION OF WIRE PART NO.:

7040-5383-XXXX

JDK WIRE COLOR NUMBER
(SEE ABOVE)
EX: -22 = RED
-00 = BLACK

JDK WIRE LENGTH (IN INCHES)
EX: 12 = 12 INCHES
06 = 6 INCHES
SP = SPOOL

NOTES: (C) ETCHING REQUIREMENT:

ETCH ENTIRE LENGTH OF WIRE.
REMOVE 2 FEET MINIMUM FROM EACH
END OF ORIGINAL WIRE AFTER ETCHING
TO PREVENT ETCHANT FROM WICKING
ONTO CONDUCTOR.

UNLESS OTHERWISE SPECIFIED DIMENSIONS ARE IN INCHES TOLERANCES ARE: FRACTIONS DECIMALS ANGLES E 1/32 .xx E .01 E 2' .xxx E .005		CONTRACT No.		JDK CONTROLS INC. GRASS VALLEY CALIFORNIA	
MATERIAL NOTED		APPROVALS DRAWN M. TURNER	DATE 10/25/94	WIRE - HOOKUP ETCHED (C)	
FINISH		CHECKED	SIZE B	CAGE CODE 5W885	DWG NO. 7040-5383
NEXT ASSEMBLY		USED ON	SCALE: NONE	SHEET 1 OF 1	
APPLICATION		ONE INCH			

4

3

2

1