



<b>Identification</b>	Type	RJ45 F/F 8/8 Cat.6A
	Part-No.	492076
<b>Description</b>	RJ45 panel connector for front installation 22.5 mm female/female 1:1 Cat 6A	
<b>Technical data</b>	Rated voltage $U_N$ AC 24 V	
	Rated voltage max. 50 V	
	Rated current 1.5 A	
	Pole number 8	
	Transfer rate 10 Gbit/s	
	Category Cat.6A	
	Contact type 1 : 1	
	Shielding connected through	
<b>General</b>	Form male 1 RJ45	
	Degree of pollution 3	
	Insulation resistance > 100 M $\Omega$	
	Contact resistance < 30 m $\Omega$	

24.02.2019 – Subject to technical modification

Part-No. 492076

USA: LUTZE INC.

13330 South Ridge Drive • Charlotte, NC 28273, USA  
Tel. +1 (704) 504-0222 • Fax +1 (704) 504-0223  
www.lutze.com • info@lutze.com

United Kingdom: LÜTZE Ltd.

Unit 3, Sandy Hill Park  
Sandy Way, Amington • GB-Tamworth, Staffs B77 4DU  
Tel. +44 (0)1827 31333-0 • Fax +44 (0)1827 31333-2  
www.lutze.com • sales.gb@lutze.co.uk

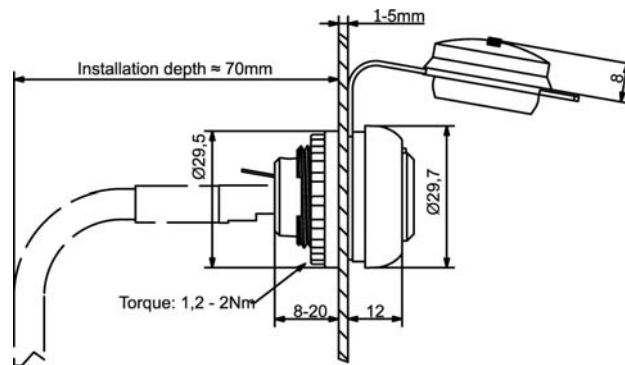


## Technical data sheet • Actuator sensor interface

Flamability according to UL 94	V0
Protection class	IP65 and NEMA UL Type 12 in closed and IP20 in inserted condition
Housing material	PA PBT
Cover	TPU
Contact material	CuSn, gold-plated
Mounting	Front installation
Installation depth	70 mm
Operation temperature range	-20 °C ... +70 °C
Storage temperature range	-20 °C ... +80 °C
Temperature range connector	-20 °C ... +70 °C
Dimensions (Ø×d)	30 × 30 mm
Mechanical service life	>750 insertion cycles
Weight	0.024 kg/piece
PU	1 piece

**Comments** Included in the delivery: captive safety cap

### Dimensions



24.02.2019 – Subject to technical modification

Part-No. 492076

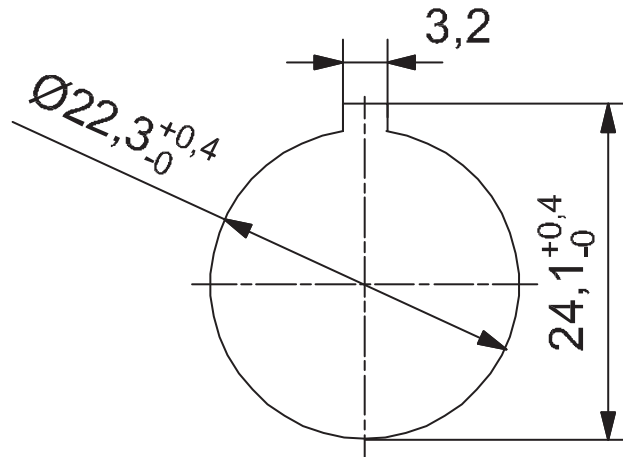
USA: LUTZE INC.

13330 South Ridge Drive • Charlotte, NC 28273, USA  
Tel. +1 (704) 504-0222 • Fax +1 (704) 504-0223  
www.lutze.com • info@lutze.com

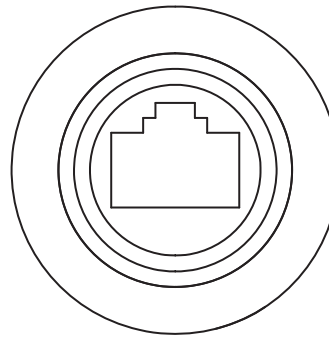
United Kingdom: LÜTZE Ltd.

Unit 3, Sandy Hill Park  
Sandy Way, Amington • GB-Tamworth, Staffs B77 4DU  
Tel. +44 (0)1827 31333-0 • Fax +44 (0)1827 31333-2  
www.lutze.com • sales.gb@lutze.co.uk

Mounting diagram



front view:



24.02.2019 – Subject to technical modification

Part-No. 492076

USA: LUTZE INC.

13330 South Ridge Drive • Charlotte, NC 28273, USA  
Tel. +1 (704) 504-0222 • Fax +1 (704) 504-0223  
www.lutze.com • info@lutze.com

United Kingdom: LÜTZE Ltd.

Unit 3, Sandy Hill Park  
Sandy Way, Amington • GB-Tamworth, Staffs B77 4DU  
Tel. +44 (0)1827 31333-0 • Fax +44 (0)1827 31333-2  
www.lutze.com • sales.gb@lutze.co.uk