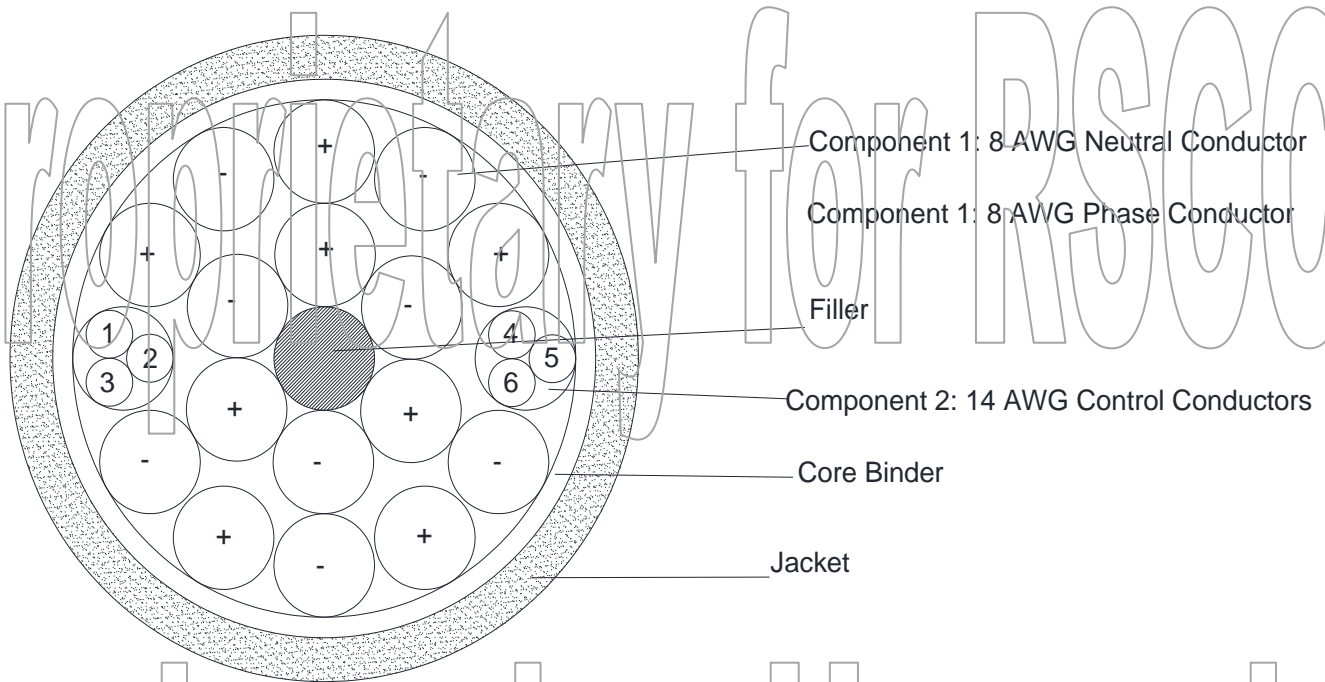


PRODUCT SPECIFICATION DRAWING

Proprietary Information not to be reproduced

Product Title: LOW INDUCTANCE CABLE 270V DC



Component 1: 8 AWG Neutral Conductor

Component 1: 8 AWG Phase Conductor

Filler

Component 2: 14 AWG Control Conductors

Core Binder

Jacket

CONSTRUCTION:

NOMINAL DIAMETER

1.0 COMPONENT 1: 16 REQUIRED

- 1.1 **Conductor:** 8 AWG 168/30 Tinned Copper Class K
- 1.2 **Insulation:** Cross-linked Polyolefin (XLPO)
Minimum Average Wall 0.045"
- 1.3 **Color Code:** 8 Red conductors printed with "+" and 8 Black conductors printed with "-"

0.159"

0.253"

2.0 COMPONENT 2: 2 REQUIRED, (Twisted Triad)

- 2.1 **Conductor:** 14 AWG 41/30 Bare Copper Class K
- 2.2 **Insulation:** Cross Linked Polyolefin (XLPO)
Minimum Average Wall 0.020"
- 2.3 **Color Code:** Blue
- 2.4 **Assembly:** Conductors cabled as a triad and printed with numbers as follows:
Triad 1: "1-One" + "2-Two" + "3-Three"
Triad 2: "4-Four" + "5-Five" + "6-Six"

0.069"

0.111"

PRODUCT SPECIFICATION DRAWING

Proprietary Information not to be reproduced

Product Title: **LOW INDUCTANCE CABLE 270V DC**

3.0 CABLE:

3.1 Assembly: 16 Components 1 with 2 Components 2 cabled around a center filler

4.0 CORE BINDER: Rubber-backed fabric tape

5.0 JACKET: 0.135" CSPE

6.0 NOMINAL WEIGHT: 1764 lbs/1000 feet

7.0 Markings On Cable: "SKYKO INTERNATIONAL LOW INDUCTANCE CABLE 270 VOLT DC PN 8000-029-0000 REV "C"
Month & Year Manufactured & Traceability Number

1.280"

1.300

1.570"

Engineering Use only

Not for Distribution



Phone: (800) 327 - 7625
Fax: (860) 653 - 8301

Drawn By:
Phil Laudicina

Date:
12/4/19

Page:
2 of 2

Part Number:
8000-029-0000 REV "C"

Reviewed By:
Walt Drabek

Revision:
0

DWG Number:
TD-010901