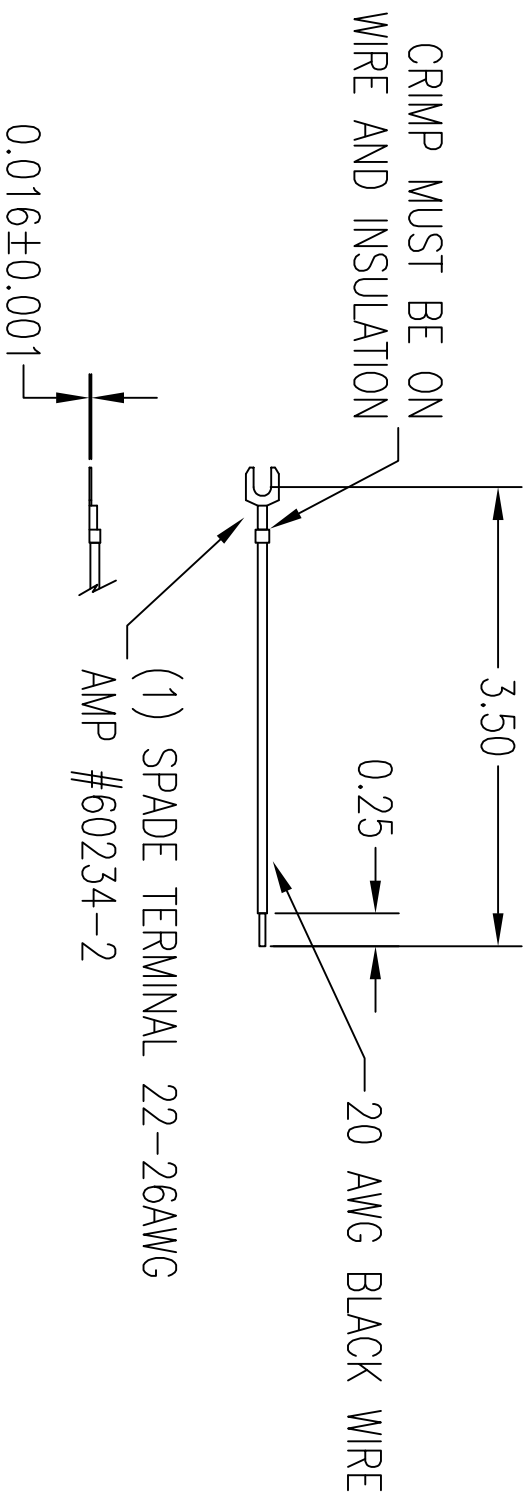


REVISIONS					
ECO	REV	DESCRIPTION	REV. DATE	DRET	AUTH
4186	A	RELEASE	12/16/08		



- NOTES:
- 1) WIRE: 20 AWG, BLACK, UL 1007
 - 2) SPADE TERMINAL: CRIMP-ON NON-INSULATED, #5 STUD, 22-26 AWG.

LEGEND (99) CIRCLE WITH NUMBER, ITEM / SEQUENCE NUMBER, REFERENCED IN SPEC BILL OF MATERIAL. 9 TRIANGLE WITH NUMBER, REFERENCES SPECIFIC NOTE IN NOTES SECTION.		(QANT) NOTED DATE: 12/11/08 UNLESS OTHERWISE SPECIFIED DIMENSIONS ARE IN INCHES PROJECTION:	PROJECT: EP999999 SCALE: 1:1 SAE/OWNER: ENG PART NO: ND00082 DRAWER: 979/0P	TITLE: 20 AWG WIRE ASSY 3.50 BLK SIZE: B FILE LOCATION: NET/MD SHEET: 1/1 DWG: MD20125 REV: A
TOLERANCES: ANGLES: ±0.5° LINEAR: .X ±.002 .XX ±.031	.XXX ±.015 .XXXX ±.005	ENGINEER:	CHECKER:	CODE: N/A

CONFIDENTIAL INFORMATION: The information contained in this document is the property of Space Age Electronics, Inc. The holder of this document shall keep all information contained herein confidential and shall protect same in whole or in part from disclosure and dissemination to all third parties.