

321277-1 ✓ ACTIVE

SOLISTRAND

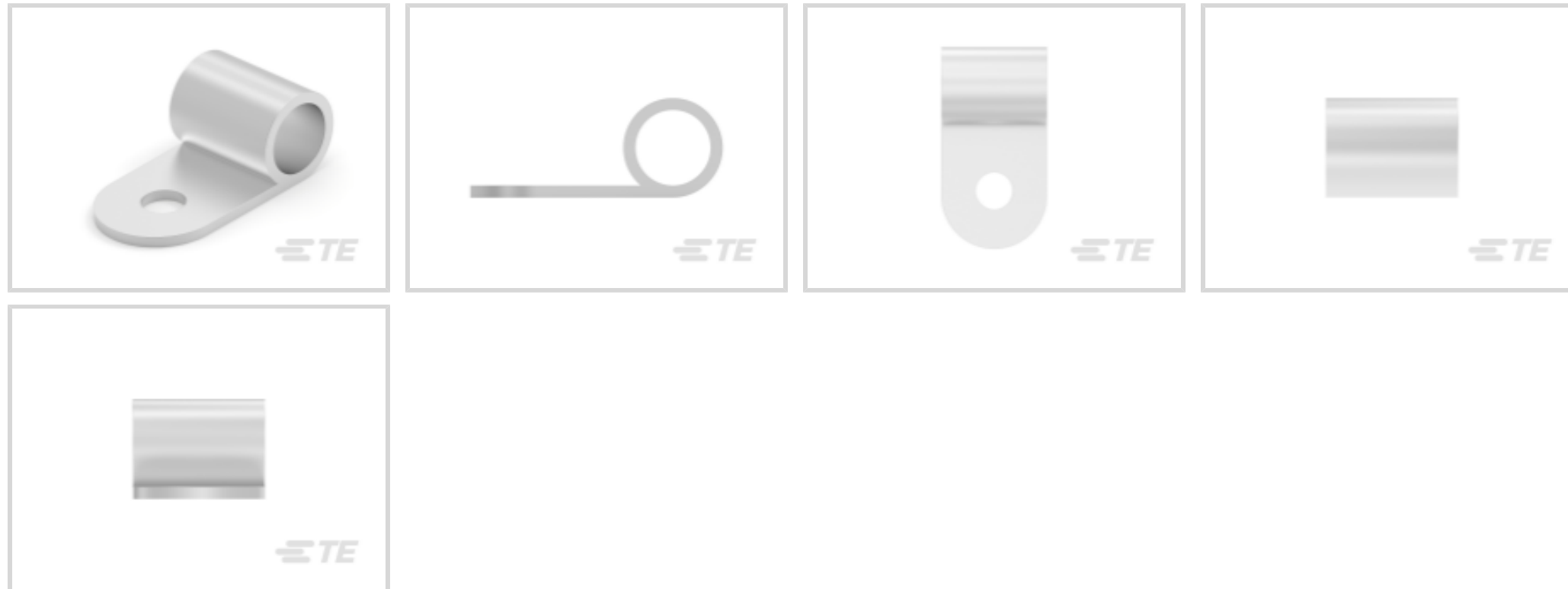
TE Internal #: 321277-1

Closed Ring Tongue Terminal, 4/0 AWG, 3/8 Stud Size, 9.53 mm / 9.91 mm [.39 in] Stud Diameter, Closed Barrel, Flag, Tin, Uninsulated

[View on TE.com >](#)



Terminals & Splices > Ring Terminals



Ring Terminal Product Type: Closed Ring Tongue Terminal

Wire Size: 190000 – 231100 CMA

Stud Size: 3/8

### Features

#### Configuration Features

Number of Holes	1
-----------------	---

#### Body Features

Product Weight	78.982 g
----------------	----------

#### Mechanical Attachment

Wire Insulation Support	Without
-------------------------	---------

#### Industry Standards

Government Qualified Terminal	No
-------------------------------	----

#### Packaging Features

Packaging Quantity	50
Packaging Method	Box

#### Product Type Features

Ring Terminal Product Type	Closed Ring Tongue Terminal
Stud Size	3/8
Sealable	No
Wire Insulation Support Retention Type	Non-Insulation Support



### Contact Features

Barrel Type	Closed
Terminal Orientation	Flag
Terminal Plating Material	Tin

### Dimensions

Wire Size	190000 – 231100 CMA
Stud Diameter	9.53 mm, 9.91 mm [.39 in]
Tongue Thickness	.79 mm [.031 in]
Product Length	54.13 mm [2.131 in]
Barrel Inside Diameter	16.13 mm [.635 in]

### Usage Conditions

Insulation Option	Uninsulated
Operating Temperature Range	170 °C [338 °F]

### Operation/Application

Compatible With Wire Base Material	Copper
Compatible With Wire Plating Material	Tin

### Other

EU RoHS Compliance	Compliant
EU ELV Compliance	Compliant

### Product Compliance

[For compliance documentation, visit the product page on TE.com>](#)

EU RoHS Directive 2011/65/EU	Compliant
EU ELV Directive 2000/53/EC	Compliant
China RoHS 2 Directive MIIT Order No 32, 2016	No Restricted Materials Above Threshold
EU REACH Regulation (EC) No. 1907/2006	Current ECHA Candidate List: JUNE 2024 (241) Candidate List Declared Against: JUNE 2024 (241) Does not contain REACH SVHC
Halogen Content	Low Halogen - Br, Cl, F, I < 900 ppm per homogenous material. Also BFR/CFR/PVC Free
Solder Process Capability	Not applicable for solder process capability

## Product Compliance Disclaimer

This information is provided based on reasonable inquiry of our suppliers and represents our current actual knowledge based on the information they provided. This information is subject to change. The part numbers that TE has identified as EU RoHS compliant have a maximum concentration of 0.1% by weight in homogenous materials for lead, hexavalent chromium, mercury, PBB, PBDE, DBP, BBP, DEHP, DIBP, and 0.01% for cadmium, or qualify for an exemption to these limits as defined in the Annexes of Directive 2011/65/EU (RoHS2). Finished electrical and electronic equipment products will be CE marked as required by Directive 2011/65/EU. Components may not be CE marked. Additionally, the part numbers that TE has identified as EU ELV compliant have a maximum concentration of 0.1% by weight in homogenous materials for lead, hexavalent chromium, and mercury, and 0.01% for cadmium, or qualify for an exemption to these limits as defined in the Annexes of Directive 2000/53/EC (ELV). Regarding the REACH Regulation, the information TE provides on SVHC in articles for this part number is based on the latest European Chemicals Agency (ECHA) 'Guidance on requirements for substances in articles' posted at this URL: <https://echa.europa.eu/guidance-documents/guidance-on-reach>

## Compatible Parts



TE Part # 1752681-1  
HYP10 SOLIS FLAG 1/0-4/0AWG  
INDENTER



TE Part # 1752680-1  
HYP10 SOLIS FLAG 4/0AWG NEST

## Customers Also Bought



TE Part #1658643-1  
HDP-20,RCPT,SIZE 1, 9 POSN,CLI



TE Part #1-967623-6  
JUN-POW-TIM GEH 15P



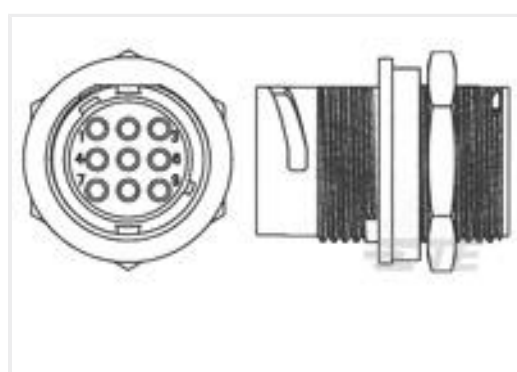
TE Part #2-1418390-1  
4 POS AMP MCP 2.8 REC HSG



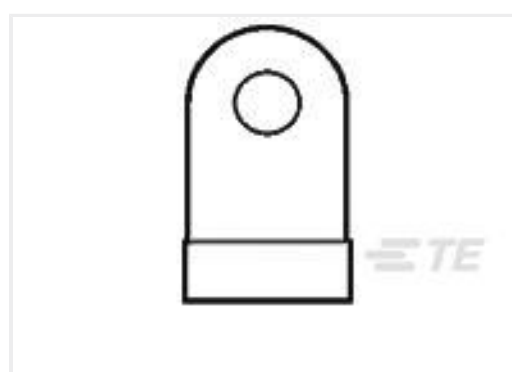
TE Part #1-776262-5  
14POS,PIN DIA 1.3,HDR ASSY,  
180DEG,COD 5



TE Part #HD34-24-31ST-059  
REC,31P,AL,T, CBL CLMP BT, DRAIN,  
16,S,MC



TE Part #1445816-3  
RECPT,11-9,FLNG MT,STD KEY



TE Part #321259-1  
TERM, SOLIS FLAG HR 4/0 1/2



TE Part #321259  
TERMINAL,SOLIS FLAG R 4/0 1/2



## Documents

### Product Drawings

[TERMINAL,SOLIS FLAG R 4/0 3/8](#)

English

### CAD Files

Customer View Model

[ENG\\_CVM\\_CVM\\_321277-1\\_G.2d\\_dxf.zip](#)

English

[3D PDF](#)

3D

Customer View Model

[ENG\\_CVM\\_CVM\\_321277-1\\_G.3d\\_igs.zip](#)

English

Customer View Model

[ENG\\_CVM\\_CVM\\_321277-1\\_G.3d\\_stp.zip](#)

English

By downloading the CAD file I accept and agree to the [Terms and Conditions](#) of use.

### Instruction Sheets

[Instruction Sheet \(U.S.\)](#)

English

### Agency Approvals

[UL Report](#)

English